

August, 2019

GENERAL DESCRIPTION

The 3.3V CMOS HI-613x device provides a complete single or multi-function interface between a host processor and MIL-STD-1553B bus. Each IC contains a Bus Controller (BC), a Bus Monitor Terminal (MT) and two independent Remote Terminals (RTs). Any combination of the contained 1553 functions can be enabled for concurrent operation. The enabled terminals communicate with the MIL-STD-1553 buses through a shared on-chip dual bus transceiver and external transformer. The user allocates 64K bytes of on-chip static RAM between devices to suit application requirements.

Two options are offered for host access to internal registers and static RAM: The HI-6130 uses a 16-bit parallel bus; the HI-6131 communicates with the host via a 4-wire serial peripheral interface (SPI). The HI-6132 combines both 16-bit parallel bus and SPI in a single 15 x 15mm hermetically sealed ceramic package.

Device	Host Interface	Packages
HI-6130	16-bit parallel	100-pin PQFP
HI-6131	4-wire SPI	64-pin QFN 64-pin PQFP
HI-6132	16-bit parallel or 4-wire SPI	121 ceramic BGA or PGA

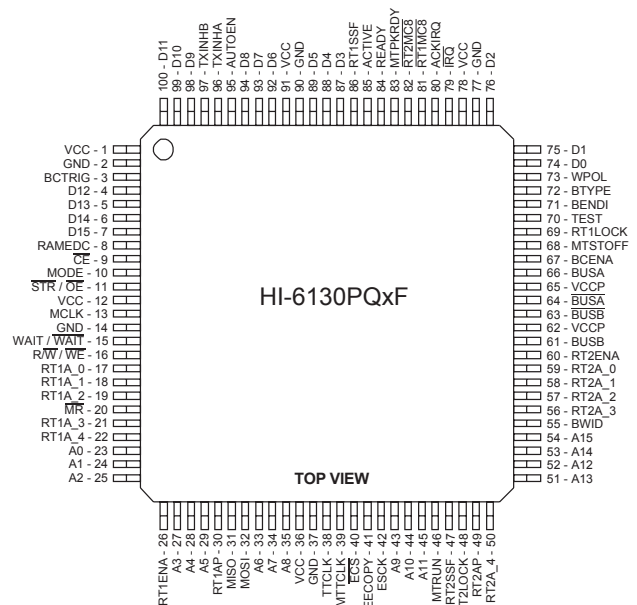
Programmable interrupts provide terminal status to the host processor. Circular data buffers in RAM have interrupts for rollover and programmable “level attained”. The HI-613x can be configured for automatic self-initialization after reset. A dedicated SPI port reads data from an external serial EEPROM to fully configure registers and RAM for any subset of one to four terminal devices.

FEATURES

- Concurrent multi-terminal operation for one to four MIL-STD-1553B functions: BC, MT and two independent RTs.
- 64K bytes internal static RAM with RAM Error Detection/Correction option.
- Autonomous terminal operation requires minimal host intervention.
- Shared MIL-STD-1553 bus interface reduces circuit complexity and circuit board area.

- Fully programmable Bus Controller with 28 op code instruction set.
- Simple Monitor Terminal (SMT) Mode records commands and data separately, with 16-bit or 48-bit time tagging.
- IRIG Monitor Terminal (IMT) Mode supports IRIG-106 Chapter 10 packet format.
- IMT Monitor Mode can optionally generate complete IRIG-106 data packets, including full packet headers and trailers.
- Independent 16-bit time tag counters and clock sources for all terminals. The Bus Controller and Monitor also have 32- and 48-bit time count options, respectively.
- 64-Word Interrupt Log Buffer queues the most recent 32 interrupts. Hardware-assisted interrupt decoding quickly identifies interrupt sources.
- Built-in self-test for protocol logic, digital signal paths and internal RAM.
- Optional self-initialization at reset uses external serial EEPROM.
- ±8kV ESD Protection (HBM, all pins).
- Two temperature ranges: -40°C to +85°C, or -55°C to +125°C with optional burn-in.
- RoHS compliant.

PIN CONFIGURATION (TOP)



NOTES:

Table of Contents

1. BLOCK DIAGRAM	17
2. FEATURE OVERVIEW	18
2.1. Bus Controller Operation	18
2.2. Remote Terminal Operation	18
2.3. Monitor Terminal Operation.....	18
2.4. Interrupts.....	18
2.5. Reset and Initialization.....	18
3. PIN DESCRIPTIONS	19
4. MEMORY MAP.....	24
5. RAM STRUCTURES	25
5.1. Interrupt Log Data Buffer	25
5.2. Bus Controller (BC) Instruction List.....	25
5.3. Bus Controller (BC) Msg Control / Status Stack	25
5.4. Bus Controller (BC) Call Stack.....	25
5.5. Bus Controller (BC) General Purpose Queue.....	25
5.6. Monitor Terminal Temporary Buffers A & B	25
5.7. Monitor Terminal (MT) Address List	25
5.8. Monitor Terminal (MT) Message Filter Table.....	25
5.9. Monitor Terminal (MT) Data Buffers.....	25
5.10. RT1 and RT2 Command Illegalization Tables.....	25
5.11. RT1 and RT2 Descriptor Tables.....	26
5.12. RT1 and RT2 Temporary Receive Buffers	26
5.13. RT Message Data Buffers.....	26
5.14. RT Storage for Mode Code Commands.....	26
6. HARDWARE FEATURES	26
6.1. Remote Terminal Address Inputs	26
6.2. Dual Transceivers for MIL-STD-1553 Bus	26
6.3. Encoder and Decoders	26
6.4. Auto-Initialization Serial EEPROM Interface.....	26
6.5. Selection of Host Interface (HI-6132 only).....	27

HI-6130, HI-6131

7.	REGISTER & MEMORY ADDRESSING	27
7.1.	8-bit Bus Operation: (HI-6130 Only)	27
8.	REGISTER DEFINITIONS	27
9.	REGISTERS USED BY ALL DEVICE FUNCTIONS	32
9.1.	Master Configuration Register (0x0000).....	32
9.2.	Master Status and Reset Register (0x0001)	36
9.3.	Overview of Interrupts.....	39
9.4.	Hardware Interrupt Behavior.....	39
9.5.	Interrupt Count & Log Address Register (0x000A)	40
9.6.	Interrupt Log Buffer	41
9.7.	Hardware Interrupt Registers.....	44
9.7.1.	Hardware Interrupt Enable Register (0x000F)	44
9.7.2.	Hardware Pending Interrupt Register (0x0006)	44
9.7.3.	Hardware Interrupt Output Enable Register (0x0013)	44
9.8.	Extended Configuration Register (0x004D)	48
9.9.	Time Tag Counter Configuration	51
9.10.	Time Tag Counter Configuration Register (0x0039).....	52
9.11.	Memory Address Pointer Registers (HI-6131 only).....	56
10.	BUS CONTROLLER – CONFIGURATION AND OPERATION	58
10.1.	Bus Controller Condition Codes.....	59
10.2.	Bus Controller Instruction Op Codes	62
10.3.	Bus Controller General Purpose Queue	70
10.4.	Bus Controller Message Control / Status Blocks	70
10.4.1.	BC Control Word	71
10.4.2.	Time to Next Message Word	75
10.4.3.	Data Block Pointer.....	75
10.4.4.	BC Block Status Word.....	76
11.	BUS CONTROLLER REGISTER DESCRIPTION	80
11.1.	BC (Bus Controller) Configuration Register (0x0032).....	80
11.2.	Start Address Register for Bus Controller (BC) Instruction List (0x0033)	89
11.3.	Bus Controller (BC) Instruction List Pointer (0x0034)	89
11.4.	Bus Controller (BC) Frame Time Remaining Register (0x0035).....	90
11.5.	Bus Controller (BC) Time To Next Message Register (0x0036).....	90

HI-6130, HI-6131

11.6.	Bus Controller (BC) Condition Code Register (Read 0x0037).....	90
11.7.	Bus Controller (BC) General Purpose Flag Register (Write 0x0037).....	93
11.8.	Bus Controller (BC) General Purpose Queue Pointer Register (0x0038).....	93
11.9.	Bus Controller (BC) Time Tag Counter (0x0043)	94
11.10.	Bus Controller (BC) Time Tag Counter High (0x0044).....	94
11.11.	Bus Controller (BC) Time Tag Utility Register (0x0045)	95
11.12.	Bus Controller (BC) Time Tag Utility High Register (0x0046)	95
11.13.	Bus Controller (BC) Time Tag Match Register (0x0047)	95
11.14.	Bus Controller (BC) Time Tag Match High Register (0x0048)	95
11.15.	Bus Controller Interrupt Registers and Their Use	96
11.15.1.	Bus Controller (BC) Interrupt Enable Register (0x0010)	97
11.15.2.	Bus Controller (BC) Pending Interrupt Register (0x0007)	97
11.15.3.	Bus Controller (BC) Interrupt Output Enable Register (0x0014)	97
12.	SIMPLE MONITOR TERMINAL (SMT)	100
12.1.	Overview	100
12.2.	SMT Block Status Word (BSW) Description	105
12.3.	SMT Message Filter Table	108
13.	SIMPLE MONITOR TERMINAL (SMT) REGISTER DESCRIPTION	110
13.1.	SMT Configuration Register (0x0029)	110
13.2.	SMT Bus Monitor Address List Start Address Register (0x002F)	113
13.3.	SMT Next Message Command Buffer Address (0x0030)	113
13.4.	SMT Last Message Command Buffer Address (0x0031).....	114
13.5.	SMT Bus Monitor Time Tag Count Register (0x003A)	114
13.6.	SMT Bus Monitor Time Tag Count Mid Register (0x003B)	114
13.7.	SMT Bus Monitor Time Tag Count High Register (0x003C).....	114
13.8.	SMT Bus Monitor Time Tag Utility Register (0x003D).....	115
13.9.	SMT Bus Monitor Time Tag Utility Mid Register (0x003E)	115
13.10.	SMT Bus Monitor Time Tag Utility High Register (0x003F).....	115
13.11.	SMT Bus Monitor Time Tag Match Register (0x0040)	116
13.12.	SMT Bus Monitor Time Tag Match Mid Register (0x0041)	116
13.13.	SMT Bus Monitor Time Tag Match High Register (0x0042)	116

HI-6130, HI-6131

13.14.	SMT Bus Monitor Interrupt Registers and Their Use	117
13.14.1.	SMT Bus Monitor Interrupt Enable Register (0x0011).....	118
13.14.2.	SMT Bus Monitor Pending Interrupt Register (0x0008).....	118
13.14.3.	SMT Bus Monitor Interrupt Output Enable Register (0x0015).....	118
14.	IRIG-106 MONITOR TERMINAL (IMT)	120
14.1.	Overview	120
14.2.	IRIG-106 Bus Monitor - Data Packet Format.....	121
14.3.	IRIG-106 Packet Header Description.....	123
14.3.1.	Packet Sync Pattern.	123
14.3.2.	Channel ID.	123
14.3.3.	Packet Length.	123
14.3.4.	Data Length.	123
14.3.5.	Data Type Version.	123
14.3.6.	Sequence Number.	123
14.3.7.	Packet Flags.	123
14.3.8.	Data Type.	124
14.3.9.	Relative Time Counter.	124
14.3.10.	Header Checksum.	124
14.4.	IRIG-106 Packet Trailer Description	124
14.5.	IRIG-106 Data Packet Trailer Description.....	124
14.5.1.	Channel Specific Data.	125
14.5.2.	IRIG-106 Intra-Packet Time Stamp.	125
14.5.3.	IRIG-106 Intra-Packet Data Header.	125
14.5.4.	IRIG-106 Message Data.	125
14.6.	IMT Block Status Word (BSW) Description.....	126
14.7.	IMT Message Filter Table.....	129
15.	IRIG-106 BUS MONITOR (IMT) CONFIGURATION AND OPERATION.....	132
15.1.	Generating complete IRIG-106 Data Packets.....	132
15.2.	Generating only IRIG-106 Packet Body (no header or trailer).....	132
16.	REGISTERS USED BY THE IMT BUS MONITOR	135
16.1.	IMT Bus Monitor MT Configuration Register (0x0029).....	135
16.2.	IMT Bus Monitor Address List Start Address Register (0x002F).....	139
16.3.	IMT Bus Monitor Next Message Storage Pointer (0x0030)	139
16.4.	IMT Bus Monitor Last Message Buffer Address (0x0031).....	139

HI-6130, HI-6131

16.5.	IMT Packet Maximum Message Count Register (0x002A)	140
16.5.1.	Practical IRIG-106 packet message count considerations	140
16.6.	IMT Packet Maximum 1553 Word Count Register (0x002B)	140
16.6.1.	Practical IRIG-106 packet word count considerations	141
16.7.	IMT Maximum Packet Time Register (0x002C)	141
16.7.1.	Practical IRIG-106 packet time considerations	141
16.8.	IMT Packet Maximum Gap Time Register (0x002D)	141
16.8.1.	Practical IRIG-106 maximum gap time considerations	142
16.9.	IMT Packet Header Channel ID Register (0x002E)	142
16.10.	IMT Monitor Time Tag Count Low Register (0x003A)	143
16.11.	IMT Monitor Time Tag Count Mid Register (0x003B)	143
16.12.	IMT Monitor Time Tag Count High Register (0x003C)	143
16.13.	IMT Time Tag Utility Low Register (0x003D)	143
16.14.	IMT Time Tag Utility Mid Register (0x003E)	143
16.15.	IMT Time Tag Utility High Register (0x003F)	144
16.15.1.	Loading a 48-bit value into the three 16-bit IMT Time Tag Count Registers	144
16.15.2.	Capturing a 48-bit value from the three 16-bit IMT Time Tag Count Registers ..	144
16.16.	IMT Time Tag Match Low Register (0x0040)	144
16.17.	IMT Time Tag Match Mid Register (0x0041)	144
16.18.	IMT Time Tag Match High Register (0x0042)	144
16.19.	IMT Bus Monitor Interrupt Registers and Their Use	145
16.19.1.	IMT Bus Monitor Interrupt Enable Register (0x0011)	146
16.19.2.	IMT Bus Monitor Pending Interrupt Register (0x0008)	146
16.19.3.	IMT Bus Monitor Interrupt Output Enable Register (0x0015)	146
17.	SINGLE OR DUAL REMOTE TERMINAL(S) – OVERVIEW	149
18.	REGISTERS USED BY REMOTE TERMINALS RT1 AND RT2	150
18.1.	Remote Terminal 1 (RT1) Configuration Register (0x0017) Remote Terminal 2 (RT2) Configuration Register (0x0020)	150
18.2.	Remote Terminal 1 (RT1) Operational Status Register (0x0018) Remote Terminal 2 (RT2) Operational Status Register (0x0021)	156
18.3.	Remote Terminal 1 (RT1) Current Command Register (0x0002) Remote Terminal 2 (RT2) Current Command Register (0x0004)	157
18.4.	Remote Terminal 1 (RT1) Current Control Word Address Register (0x0003) Remote Terminal 2 (RT2) Current Control Word Address Register (0x0005)	158
18.5.	Remote Terminal 1 (RT1) Descriptor Table Base Address Register (0x0019) Remote Terminal 2 (RT2) Descriptor Table Base Address Register (0x0022)	158

HI-6130, HI-6131

18.6.	Remote Terminal 1 (RT1) MIL-STD-1553 Status Word Bits Register (0x001A) Remote Terminal 2 (RT2) MIL-STD-1553 Status Word Bits Register (0x0023).....	158
18.7.	Remote Terminal 1 (RT1) Current Message Information Word Register (0x001B) Remote Terminal 2 (RT2) Current Message Information Word Register (0x0024) .	160
18.8.	Remote Terminal 1 (RT1) Bus A Select Register (0x001C) Remote Terminal 2 (RT2) Bus A Select Register (0x0025).....	160
18.9.	Remote Terminal 1 (RT1) Bus B Select Register (0x001D) Remote Terminal 2 (RT2) Bus B Select Register (0x0026).....	161
18.10.	Remote Terminal 1 (RT1) Built-In Test (BIT) Word Register (0x001E) Remote Terminal 2 (RT2) Built-In Test (BIT) Word Register (0x0027).....	161
18.11.	Remote Terminal 1 (RT1) Alternate Built-In Test (BIT) Word Register (0x001F) Remote Terminal 2 (RT2) Alternate Built-In Test (BIT) Word Register (0x0028).....	163
18.12.	Remote Terminal 1 (RT1) Time Tag Counter Register (0x0049) Remote Terminal 2 (RT2) Time Tag Counter Register (0x004B)	163
18.13.	Remote Terminal 1 (RT1) Time Tag Utility Register (0x004A) Remote Terminal 2 (RT2) Time Tag Utility Register (0x004C)	164
	18.13.1. RT Time Tag Counter Loading	164
	18.13.2. RT Time Tag Count Match Interrupts	164
18.14.	RT1 and RT2 Remote Terminal Interrupt Registers and Their Use	164
	18.14.1. Remote Terminal (RT) Interrupt Enable Register (0x0012).....	166
	18.14.2. Remote Terminal (RT) Pending Interrupt Register (0x0009).....	166
	18.14.3. Remote Terminal (RT) Interrupt Output Enable Register (0x0016)	166
19.	REMOTE TERMINAL RT1 AND RT2 CONFIGURATION AND OPERATION	169
19.1.	Command Responses	169
	19.1.1. RT to RT Commands.	171
19.2.	Command Illegalization Table	171
19.3.	Temporary Receive Data Buffer	176
19.4.	Descriptor Table	176
	19.4.1. Receive Subaddress Control Word	179
	19.4.2. Transmit Subaddress Control Word	182
	19.4.3. Data Buffer Options for Mode Code Commands.....	185
	19.4.4. Receive Mode Control Word	186
	19.4.5. Transmit Mode Control Word.....	189
20.	REMOTE TERMINAL RT1 AND RT2 MESSAGE DATA BUFFERS.....	192
20.1.	Subaddress Message Information Words	193
	20.1.1. Receive Subaddress Command	193
	20.1.2. Transmit Subaddress Command	195

HI-6130, HI-6131

20.2.	Mode Command Message Information Words	197
20.2.1.	Receive Mode Command	197
20.2.2.	Transmit Mode Command	199
20.3.	Ping-Pong Data Buffering	201
20.3.1.	Double Buffered (Ping-Pong) Mode	201
20.3.2.	Ping-Pong Enable / Disable Handshake	202
20.3.3.	Broadcast Message Handling in Ping-Pong Mode	204
20.4.	Indexed Data Buffer Mode	206
20.4.1.	Single Message Mode	206
20.4.2.	Broadcast Message Handling in Index Mode	206
20.5.	Circular Buffer Mode 1	210
20.6.	Circular Buffer Mode 2	214
21.	REMOTE TERMINAL RT1 AND RT2 MODE COMMAND PROCESSING	219
21.1.	General Considerations	219
21.2.	Mode Command Interrupts	219
21.3.	Mode Command Data Words	219
21.4.	Standard Mode Command Processing	222
21.5.	Simplified Mode Command Processing	222
22.	SERIAL EEPROM PROGRAMMING UTILITY	224
22.1.	Writing the Auto-Initialization EEPROM	224
22.2.	Overall 32K Word Checksum Used by Auto-Initialization	227
23.	RESET AND INITIALIZATION	229
23.1.	Hardware Master Reset and Optional Auto-Initialization	229
23.2.	Memory Test Fail Address Register (0x0024)	232
23.3.	Software Reset	233
23.3.1.	Remote Terminal 1 (RT1)	233
23.3.2.	Remote Terminal 2 (RT2)	234
23.3.3.	Bus Monitor SMT / IMT	235
23.4.	MIL-STD-1760: Busy Status Assertion After Power-Up	236
24.	SELF-TEST	237
24.1.	Optional RAM Self-Test after Hardware Master Reset	237
24.2.	Host-Directed Self-Test	237
24.2.1.	Self-Test Control Register (0x0028)	237
24.2.2.	Loopback Test Transmit Data Register (0x001F)	241

HI-6130, HI-6131

24.2.3.	Loopback Test Receive Data Register (0x0002)	241
24.2.4.	RAM Self-Test Fail Address Register (0x001B).....	241
24.2.5.	Host-Directed RAM Self-Test.....	242
24.2.6.	Host-Directed RT-Mode Loopback Testing (On-Line Analog or Off-Line Digital)	242
24.2.7.	Programmed BC-Mode Digital Loopback Testing (Off-Line)	243
24.2.8.	Continuous BC-Mode Analog Loopback Testing (On-Line)	244
25.	HOST INTERFACE	245
25.1.	HI-6130 Host Bus Interface.....	245
25.1.1.	Bus Wait States and Data Prefetch	245
25.2.	HI-6131 Serial Peripheral Interface.....	246
25.2.1.	Serial Peripheral Interface (SPI) Basics	246
25.2.2.	HI-6131 SPI Commands.....	247
25.2.3.	Fast-Access Commands for Registers 0-15	247
25.2.4.	Fast-Access Write Commands for Registers 0-63	247
25.2.5.	Indirect Addressing of RAM and Registers	248
25.2.6.	Data Prefetch for SPI Read Cycles	250
25.2.7.	Special Purpose Commands	251
25.2.8.	RT Descriptor Table Prefetch Exceptions	253
26.	APPENDIX: RT MESSAGES RESPONSES, OPTIONS & EXCEPTIONS ...	257
27.	ELECTRICAL CHARACTERISTICS	284
27.1.	Absolute Maximum Ratings	284
27.2.	Recommended Operating Conditions.....	284
27.3.	DC Electrical Characteristics	284
27.4.	AC Electrical Characteristics — HI-6131 Host Bus Interface Timing.....	286
27.5.	AC Electrical Characteristics — HI-6130 Host Bus Interface Timing.....	287
27.6.	AC Electrical Characteristics — Master Reset.....	292
28.	MIL-STD-1553 BUS INTERFACE	293
29.	THERMAL CHARACTERISTICS	294
30.	ADDITIONAL PIN / PACKAGE CONFIGURATIONS	294
30.1.	HI-6131PCx (64-pin QFN)	294
30.2.	HI-6131PQx (64-pin PQFP).....	295
30.3.	HI-6132Cxx (121BGA or 121PGA)	296
31.	ORDERING INFORMATION	297

HI-6130, HI-6131

32. REVISION HISTORY	299
33. PACKAGE DIMENSIONS	303

List of Figures

Figure 1. Block Diagram	17
Figure 2. Address Mapping for Registers and RAM	24
Figure 3. Fixed Address Mapping for Interrupt Log Buffer.....	43
Figure 4. Bus Controller Message Sequence Structures.....	59
Figure 5. Bus Controller Flag Operation	69
Figure 6. Structure of Bus Controller Message Control / Status Blocks in RAM	71
Figure 7. Simple Monitor Terminal (SMT) Data Storage.....	104
Figure 8. Deriving the Monitor Filter Table Address from the Received Command Word	108
Figure 9. IRIG-106 Data Packet and Message Storage Summary.....	122
Figure 10. Deriving the Monitor Filter Table Address from the Received Command Word	130
Figure 11. IRIG-106 Data Fields and Message Storage.....	131
Figure 12. MIL-STD-1553 Command Word Structure	169
Figure 13. Deriving the Illegalization Table Address From the Received Command Word	173
Figure 14. Address Mapping for Illegalization Table	174
Figure 15. Summary of RT1 Illegalization Table Addresses for Mode Code Commands	175
Figure 16. Address Mapping for RT1 Descriptor Table	178
Figure 17. Deriving a Descriptor Table Control Word Address From Command Word	179
Figure 18. Illustration of Ping-Pong Buffer Mode	203
Figure 19. Ping-Pong Buffer Mode Example for a Receive Subaddress	205
Figure 20. Illustration of Indexed Buffer Mode	208
Figure 21. Indexed Buffer Mode Example for a Receive Subaddress (broadcast disabled)	209
Figure 22. Illustration of Circular Buffer Mode 1	212
Figure 23. Circular Buffer Mode 1 Example for a Receive Subaddress	213
Figure 24. Illustration of Circular Buffer Mode 2.....	217
Figure 25. Circular Buffer Mode 2 Example for a Receive Subaddress	218

HI-6130, HI-6131

Figure 26. Generalized Single-Byte Transfer Using SPI Protocol. SCK is Shown for SPI Modes 0 and 3	247
Figure 27. Single-Word (2-Byte) Read From RAM or a Register	249
Figure 28. Single-Word (2-Byte) Write To RAM or a Register	249
Figure 29. HI-6131 Host Bus Interface Timing Diagram	286
Figure 30. Register and RAM Write Operations for BTYPE = 1	288
Figure 31. Register and RAM Write Operations for BTYPE = 0	289
Figure 32. Register and RAM Read Operations for BTYPE = 1	290
Figure 33. Register and RAM Read Operations for BTYPE = 0	291
Figure 34. Master Reset Timing Diagram	292
Figure 35. Bus Connection Example using HI-6130	293
Figure 36. MIL-STD-1553 Direct Coupled Test Circuit Example	293
Figure 37. MIL-STD-1553 Transformer Coupled Test Circuit Example	293

List of Tables

Table 1. Common pins (Apply to all devices).....	19
Table 2. Pins that apply to HI-6130 or HI-6132 only (Host parallel bus interface).....	21
Table 3. HI-6130 BENDI Pin Functionality.....	23
Table 4. Pins that apply to HI-6131 or HI-6132 only (Host SPI bus interface).....	23
Table 5. Pins that apply to HI-6132 only (Selectable 16-bit parallel bus or SPI host interface)...	23
Table 6. Register Summary.....	28
Table 7. Format of IIW and IAW in Interrupt Log Buffer.....	41
Table 8. Bus Controller Condition Code Table.....	60
Table 9. Bus Controller Instruction Op Codes.....	63
Table 10. Effect of “Broadcast Command Received” RT Status Bit on “Status Set” Condition ...	89
Table 11. Message Block in Circular Command Buffer for SMT Monitor using 16-bit Time Tag	100
Table 12. Message Block in Circular Command Buffer for SMT Monitor using 48-bit Time Tag	101
Table 13. Monitor Address List for SMT Mode.....	102
Table 14. SMT Message Filter Table.....	109
Table 15. IMT Message Filter Table.....	130
Table 16. Monitor Address List for IMT Mode.....	133
Table 17. Summary of Data Buffer Modes.	193
Table 18. Circular Buffer Mode 2 (Initialization factors based on message block size).....	215
Table 19. Mode Code Command Summary.....	220
Table 20. External EEPROM minimum instruction set.	224
Table 21. Terminal Unlock Word Encoding.....	225
Table 22. Registers not included in checksum.....	227
Table 23. READY delay times: from \overline{MR} input pin rising edge to READY output pin rising edge....	229
Table 24. RT1 Soft Reset Summary.....	233

HI-6130, HI-6131

Table 25. RT2 Soft Reset Summary	234
Table 26. SMT / IMT Soft Reset Summary	235
Table 27. Fast-Access SPI Commands for Lower Registers	255
Table 28. SPI Commands using Memory Address Pointer	256

1. BLOCK DIAGRAM

HI-6130 MIL-STD-1553 Terminal with Host Parallel Bus Interface
 HI-6131 MIL-STD-1553 Terminal with Host SPI Interface

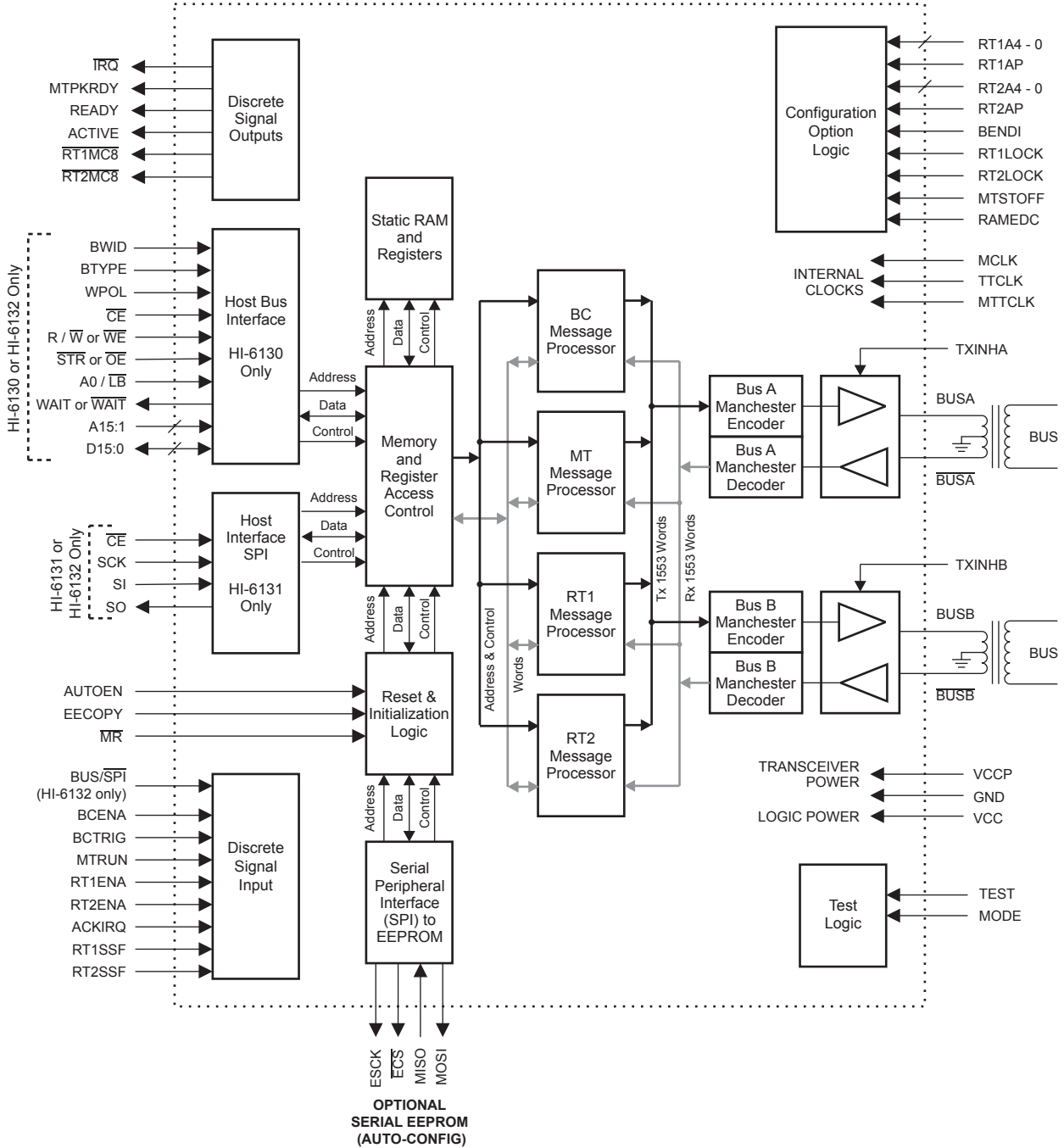


Figure 1. Block Diagram

2. FEATURE OVERVIEW

2.1. Bus Controller Operation

The HI-613x is configurable to operate as a Bus Controller (BC). The BC is a programmable message-sequencing device for control in MIL-STD-1553B applications. Programmed using a set of 28 instruction op codes, the BC greatly reduces the host's processing workload. The BC can optionally use a 16- or a 32-bit time base, clocked from a choice of six internally generated clocks, or an external time base clock. Special BC op codes manage all 32-bit time base functions.

The programmable HI-613x Bus Controller autonomously supports multi-frame message scheduling, message retry schemes, storage of message data, asynchronous message insertion and status /error reporting to the host processor.

2.2. Remote Terminal Operation

The HI-613x is configurable to operate one as or two Remote Terminals. The RTs are modeled after the popular Holt HI-6120/21 Remote Terminal. The two Remote Terminals operate with independent characteristics, each RT having fully separate RAM structures (e.g., descriptor and illegal command tables) and independent configuration and status registers. RAM buffer options include single, double and 2 circular buffer choices. The two RTs can be reset and reinitialized independently. The full benefit of two autonomous RTs is achieved while using the same complexity and circuit board area as a single Remote Terminal.

2.3. Monitor Terminal Operation

Message commands, terminal responses and message data are stored in internal RAM, using one of two possible modes. Simple Monitor Terminal (SMT) and IRIG Monitor Terminal (IMT) Modes are targeted for different applications. When operating in SMT mode, the MT records commands and data separately. The SMT can utilize 16- or 48-bit time tags with a range of clocking options.

The IMT mode operation is designed to meet data recording requirements of Telemetry Standard RCC Document 106-07, Chapter 10. This "IRIG 106 Chapter 10" data recorder uses 48-bit relative time stamping, having 10MHz (100ns) resolution. Message time stamps occur at one of three selectable message progress points. Several error handling schemes are available. Bus Monitor interrupts notify the host when circular buffer

rollover occurs, or when a user-programmed buffer level has been reached. The IMT stores message records in the assigned buffer using IRIG 106 "packet body" format. The device can optionally generate complete IRIG 106 packets, including full packet headers and trailers meeting IRIG 106 Chapter 10 requirements.

2.4. Interrupts

Host interrupts can originate from device hardware or any of the enabled terminal devices (up to 4 devices). A circular 64-word Interrupt Log Buffer retains interrupt information from the last 32 interrupts, while the hardware maintains a count of occurring interrupts since the previous host buffer service.

Hardware-assisted interrupt decoding provides quick identification of the interrupt source by terminal device: BC, MT, RT1, RT2 or hardware. When a hardware interrupt occurs (e.g., Bus A Loopback Failure), a Pending Hardware Interrupt register bit explicitly identifies the interrupt source. For interrupts from BC, MT or RT, the three low-order bits in the same register identify the specific interrupt register (or registers) with pending interrupts: that is, the BC, MT or RT Pending Interrupt registers.

2.5. Reset and Initialization

After hardware Master Reset, there are two HI-613x initialization methods: host initialization or self-initialization from external serial EEPROM. For host initialization, the host processor uses its bus interface or 4-wire SPI to load HI-613x registers and initialize tables, data buffers, etc. in internal static RAM. For self-initialization, the device uses setup information contained within an external serial EEPROM. A dedicated 4-wire SPI port reads data from the serial EEPROM and writes it to registers and RAM. Error checking is performed, looking for data mismatch or an EEPROM checksum error.

Individual 1553 terminal devices (BC, MT, RT1 or RT2) can be re-initialized from the serial EEPROM by writing to the Reset Initialization Register.

3. PIN DESCRIPTIONS

Table 1. Common pins (Apply to all devices)

Pin	Function	Description
MCLK	Input 50kΩ pull-down	Master clock input, 50.0MHz +/-100 ppm.
TTCLK MTCLK	Inputs 50kΩ pull-down	Optional clock input for BC time base and RT time tag counters. Optional clock input for the MT time tag counter. Each function (BC, MT, RT1, RT2) has an independent time tag counter. The BC and RT counters share a common clock, selectable from internally generated frequencies, or an external clock input. The MT time tag counter has its own external or internal clock source.
$\overline{\text{MR}}$	Input 50kΩ pull-up	Master reset, active low. A minimum pulsewidth of 50ns and two rising clock edges are required following the rising edge of $\overline{\text{MR}}$ to complete reset. The host can also assert software reset by setting bits in the Master Status & Reset register.
TXINHA TXINHB	Inputs 50kΩ pull-down	Transmit inhibit inputs for Bus A and Bus B, active high. These two inputs are logically ORed with the pair of corresponding bits in the Master Configuration Register to enable or inhibit transmit on Bus A or Bus B, affecting behavior for all enabled 1553 devices.
MTSTOFF	Input 50kΩ pull-down	Memory test disable, active high. When this pin is low, the device performs a memory test on the entire RAM after rising edge on the $\overline{\text{MR}}$ reset pin. When this pin is high, RAM testing is skipped, resulting in a faster reset process. For further information, refer to Section 23.
AUTOEN	Input 50kΩ pull-down	Auto-Initialize Enable, active high. If this pin is high at rising edge on $\overline{\text{MR}}$ reset pin, self-initialization proceeds, copying configuration data to registers and RAM from an external serial EEPROM via a dedicated EEPROM SPI port. Refer to Section 23.
READY	Output	This pin is low when auto-initialization or built-in test is in process. The host cannot read or write device RAM or registers when pin state is low; reads to any address return the value in the Master Status & Reset register. When the AUTOEN pin is low at Master Reset, the host can configure device RAM and registers after READY goes high.
ACTIVE	Output	This pin is high while an enabled BC or RT in the device is processing a 1553 message. The IMTA bit 1 in Master Configuration Register 0x0000 logically-ORs bus monitor (MT) activity as well.
$\overline{\text{ECS}}$ ESCK MOSI MISO	Output Output Output Input 50kΩ pull-down	Dedicated 4-wire Serial Peripheral Interface (SPI) for connection to an optional external EEPROM used for automatic self-initialization when AUTOEN is high at Master Reset.
EEOCOPY	Input 50kΩ pull-down	EEPROM Copy, active high. Asserting this input initiates RAM and register copy into serial EEPROM used for auto-initialization. Refer to Section 23.

HI-6130, HI-6131

Pin	Function	Description
BCENA	Input 50kΩ pull-down	Bus Controller Enable input, active high.
BCTRIG	Input 50kΩ pull-down	BC Trigger input, active high. Used in conjunction with certain BC instructions.
MTRUN	Input 50kΩ pull-down	Monitor Run / $\overline{\text{Stop}}$ input, active high. This input starts/stops MT data recording. Upon going low, the MT stops when the current message is completed.
RT1ENA RT2ENA	Inputs 50kΩ pull-down	RT1 and RT2 enable input pins, active high. These inputs are logically ANDed with the corresponding RT1ENA and RT2ENA bits in Master Configuration Register 0x0000. The ANDed result must be high before initializing RT Descriptor Tables, and must be high when the Master Configuration Register RT1STEX or RT2STEX start execution bits are asserted to begin RT1 or RT2 operation.
RT1LOCK RT2LOCK	Inputs 50kΩ pull-down	Pin states are latched to the Lock bit in the RTx Operational Status register when rising edge occurs on the $\overline{\text{MR}}$ pin. If status register Lock bit is high, the host cannot overwrite the terminal address in the same register. If status register Lock bit is low, the host can overwrite the terminal address and parity (and the Lock bit) in the RTx Operational Status register.
$\overline{\text{RT1MC8}}$ $\overline{\text{RT2MC8}}$	Outputs	Remote Terminal “Reset RT” mode command (MC8) received. This active low output is asserted at Status Word completion when RT1 or RT2 received a “Reset Remote Terminal” mode code command. The minimum output pulse width is 100ns, unaffected by $\overline{\text{MR}}$ assertion.
RT1SSF RT2SSF	Inputs 50kΩ pull-down	RT Subsystem Fail input, active high. When this input is high, the selected RT1 or RT2 sets the Subsystem Fail flag in its transmit status word. This input is logically-ORed with the SSYSF bit in the terminal’s RT1 or RT2 1553 Status Word Bits register.
MTPKRDY	Output	Monitor Packet Ready output, active high. This pin is asserted when a message data packet is complete, as defined by the various MT configuration registers (maximum word or message count, maximum packet time, etc.) Assertion of this bit indicates the MT has stopped.
$\overline{\text{IRQ}}$	Output	Interrupt request, active low. This pin is asserted each time an enabled interrupt event occurs. This signal is programmed as a brief low-going pulse output or as a level output by the INTSEL bit in the Master Configuration Register. If level output is selected, $\overline{\text{IRQ}}$ stays low until the host acknowledges $\overline{\text{IRQ}}$ by pulsing a rising edge at the ACKIRQ pin.
ACKIRQ	Input 50kΩ pull-down	Interrupt Acknowledge, active high. This input is only used when the INTSEL bit in the RT Configuration Register is high, enabling level interrupt assertion for the $\overline{\text{IRQ}}$ pin. When interrupt assertion causes the $\overline{\text{IRQ}}$ pin to go low, a high-going pulse on ACKIRQ (250ns minimum duration) clears the $\overline{\text{IRQ}}$ output to logic 1.
RT1A4:0 RT1AP RT2A4:0 RT2AP	Inputs 50kΩ pull-ups	Remote terminal address bits 4 - 0, and parity bit for RT1 and RT2. The RTAP pin provides odd parity for the address on pins RTA4:0. The terminal address and parity pin levels are latched into the respective RT Operational Status Registers when rising edge occurs on the $\overline{\text{MR}}$ pin. The RT Operational Status Register value (not these pins) reflects the active terminal address. The host can overwrite the RT Operational Status register address value only when the register Lock bit is reset.

HI-6130, HI-6131

Pin	Function	Description
BENDI	Input 50kΩ pull-up	<p>Big Endian Configuration Pin</p> <p>The BENDI pin works in conjunction with the A0 and BWID pins to determine the “endianness” or byte order of 16-bit word transfers to the HI-6130. Table 3 below summarizes the interoperability of the three pins.</p> <p>When using the HI-6131, this pin controls the byte order of transferred 16-bit data following the SPI command. When BENDI is low, “little endian” is chosen; the low order byte (bits 7:0) is transacted on the SPI before the high order byte (bits 15:8). When BENDI is high, “big endian” is chosen and the high order byte is transacted on the SPI before the low order byte.</p>
RAMEDC	Input 50kΩ pull-down	<p>RAM EDC (Error Detection / Correction) enable.</p> <p>When pin is low, device operates with 32K word RAM address space, EDC disabled. When pin is high, device operates with 24K word RAM address space with EDC enabled. All single-bit RAM read errors are automatically corrected. The corrected errors and uncorrectable multi-bit RAM read errors can generate separate, optional interrupts.</p>
TEST	Input 50kΩ pull-down	Test enable input. The host asserts this pin to perform RAM self-test and loop-back tests.
MODE	Input 50kΩ pull-up	Pin used for factory test. Do not connect.
VCC VCCP GND	Power Supply	3.3VDC power supply for logic and bus transceiver.
<u>BUSA</u> <u>BUSA</u>	Analog	Bi-directional Bus A interface to external MIL-STD-1553 isolation transformer. Observe positive / negative polarity.
<u>BUSB</u> <u>BUSB</u>	Analog	Bi-directional Bus B interface to external MIL-STD-1553 isolation transformer. Observe positive / negative polarity.

Table 2. Pins that apply to HI-6130 or HI-6132 only (Host parallel bus interface)

Pin	Function	Description
<u>CE</u>	Input 50kΩ pull-up	Chip Enable, active low. When asserted, this pin enables host read or write accesses to device RAM or registers using the host’s parallel bus interface. This pin is normally connected to a Chip Select output from the host’s bus interface.
D15:0	In / Out 50kΩ pull-down	Tri-state data bus for host read/write operations upon registers and shared RAM. All bus read/write operations transact 16 bit words, but bus width can be configured for 8 or 16 bits. For 8-bit bus width, pins D15:8 are not connected. Sixteen-bit words are transacted over an 8-bit bus as a pair of byte operations, with data presented sequentially on pins D7:0. For compatibility with different host processors, the BENDI input determines whether the low order byte is transferred before the high order byte, or vice versa. See Table 3.

HI-6130, HI-6131

Pin	Function	Description
A15:1 A0 / $\overline{\text{LB}}$	Input 50k Ω pull-up	Address bus for host read/write operations upon registers and shared RAM. When using 16-bit bus width, address bit A0 / ($\overline{\text{LB}}$) from the host is not used. For 8-bit bus width, A0 is used to indicate which byte of the 16-bit word is currently being transferred (MSB or LSB). The logic sense of A0 is controlled by the BENDI input (see BENDI pin description and Table 3 below).
BWID	Input 50k Ω pull-up	Configuration pin for host bus width. High selects 16-bit bus width, low selects 8-bit bus width.
BTYPE	Input 50k Ω pull-up	Configuration pin for host bus read/write control signal style. High selects "Intel style" using separate read strobe $\overline{\text{OE}}$ (output enable) and write strobe $\overline{\text{WE}}$. Low selects "Motorola style" using single active-low read/write strobe $\overline{\text{STR}}$ and read/write select signal, $\overline{\text{R/W}}$.
$\overline{\text{R/W}}$ / $\overline{\text{WE}}$	Input 50k Ω pull-up	Read/write direction signal $\overline{\text{R/W}}$ when BTYPE pin is low. Active-low Write Enable $\overline{\text{WE}}$ when BTYPE pin is high. Used for host read or write accesses to device RAM or registers. This pin or the $\overline{\text{CE}}$ pin should be high during all address transitions.
$\overline{\text{STR}}$ / $\overline{\text{OE}}$	Input 50k Ω pull-up	Active-low common read/write strobe $\overline{\text{STR}}$ when BTYPE pin is low. Active-low Output Enable $\overline{\text{OE}}$ when BTYPE pin is high. Used for host read or write accesses to device RAM or registers.
WPOL	Input 50k Ω pull-up	Configuration pin for WAIT output polarity. When the WPOL pin is low, the "wait" output is active low ($\overline{\text{WAIT}}$). When WPOL is high, the "wait" output is active high (WAIT).
WAIT / $\overline{\text{WAIT}}$	Output	Host bus read cycle WAIT or $\overline{\text{WAIT}}$ output. The HI-6130 WPOL input pin sets the active level for this "wait" output. Read cycles are slower than write cycles, but prefetching speeds data availability for multi-word sequential address read cycles. For every new bus read cycle, the HI-6130 asserts WAIT. Connected to the processor WAIT or $\overline{\text{WAIT}}$ input, this action inserts one or more processor wait states (depending on processor clock frequency) while the HI-6130 fetches the first word. After reading each HI-6130 register or RAM address, the device prefetches and retains data from the next address. If the next bus access reads that sequential address, the data is ready without WAIT assertion, even if that read cycle occurs some time later. While the prefetch "chain" is broken by any write cycle, each read cycle prefetches and retains data from the next address, whether or not it is needed. Thus WAIT assertion only occurs for the first word read. The WAIT output is useful when the host processor runs at high clock rates and/or when processor read wait states do not provide adequate timing margin for worst case (slowest) read cycle timing for the HI-6130. Using the WAIT output for the slow, first read cycle means the processor bus interface can be optimized to use faster no-wait cycles for write operations, and for reading words 2 through N in successive address, N-word read operations. Processors lacking a WAIT or $\overline{\text{WAIT}}$ input pin are typically configured to insert a fixed number of wait states for every read/write cycle.

HI-6130, HI-6131

Table 3. HI-6130 BENDI Pin Functionality

The BENDI and A0 pins are used as outlined below to set the order for byte accesses when HI-6130 transacts 16-bit words on 16-bit or 8-bit host busses.

BENDI	BWID	A0	RD/WR	
			Host Data Bus	HI-6130 internal RAM or Register 16-bit Word
0	0	0	D[7:0]	D[7:0]
0	0	1	D[7:0]	D[15:8]
0	1	X	D[15:0]	D[7:0], D[15:8]
1	0	0	D[7:0]	D[15:8]
1	0	1	D[7:0]	D[7:0]
1	1	X	D[15:0]	D[15:8], D[7:0]

Table 4. Pins that apply to HI-6131 or HI-6132 only (Host SPI bus interface)

Pin	Function	Description
$\overline{\text{CE}}$	Input 50k Ω pull-up	Chip Enable, active low. When asserted, this pin enables host read or write accesses to device RAM or registers via host SPI port. The HI-6131 SPI port operates in Slave mode. This pin is connected to the Slave Select output on the host SPI port.
SO	Output	Serial Peripheral Interface (SPI) Serial Output pin. This pin is connected to MISO (Master In - Slave Out) pin on host SPI port. The SO pin is tri-stated when not transmitting serial data to the host.
SI	Input 50k Ω pull-down	Serial Peripheral Interface (SPI) Serial Input pin. This pin is connected to MOSI (Master Out - Slave In) pin on host SPI port.
SCK	Input 50k Ω pull-down	Serial Peripheral Interface (SPI) Serial Clock pin. This pin is connected to SCK output pin on host SPI port.

Table 5. Pins that apply to HI-6132 only (Selectable 16-bit parallel bus or SPI host interface)

Pin	Function	Description
BUS / $\overline{\text{SPI}}$	Input 50k Ω pull-down	Selects 16-bit wide parallel bus or SPI operation

4. MEMORY MAP

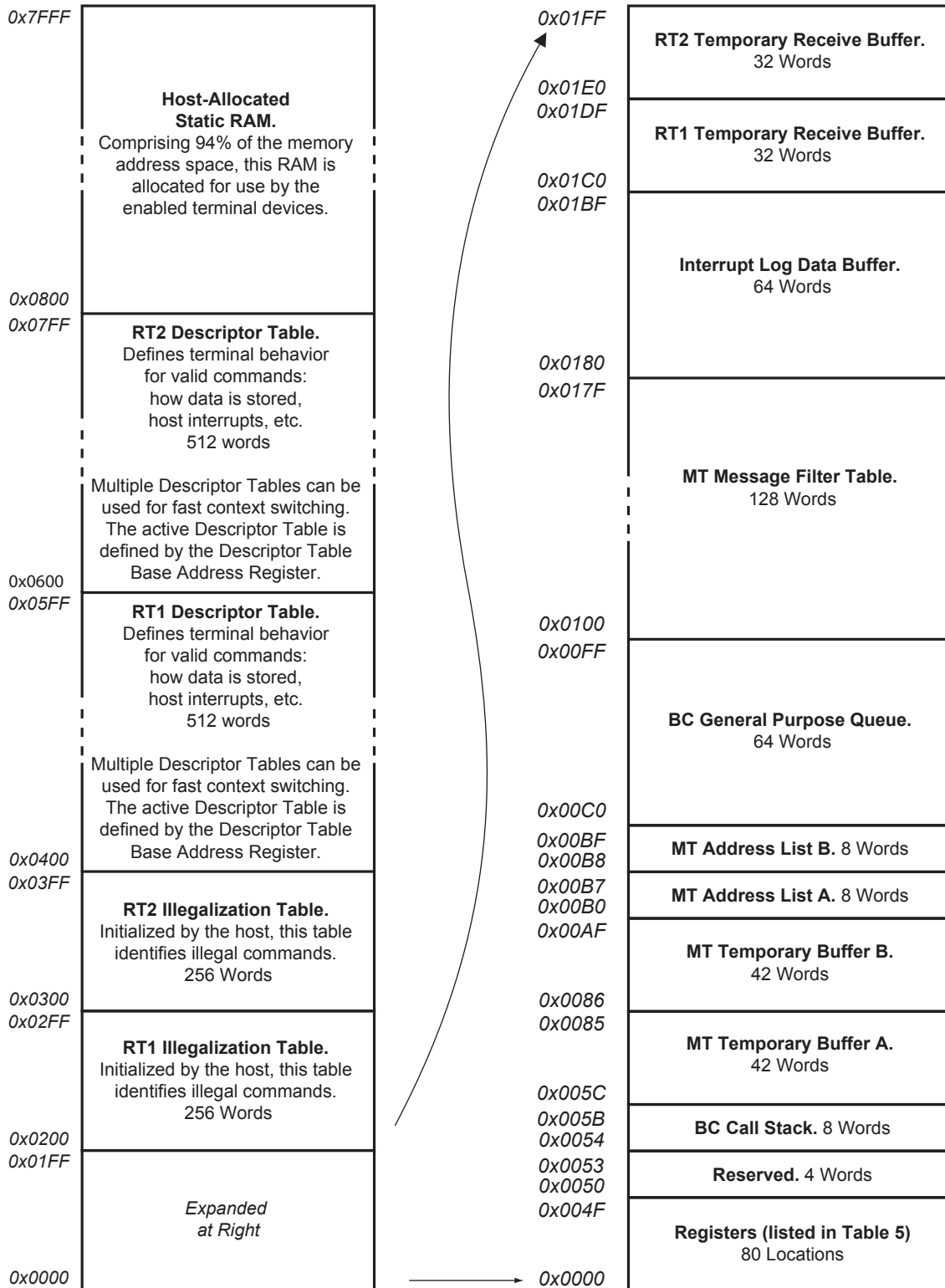


Figure 2. Address Mapping for Registers and RAM

5. RAM STRUCTURES

Figure 2 shows a memory map for HI-613x memory and registers. Application requirements dictate the specific RAM structures needed. These structures listed here are explained later.

5.1. Interrupt Log Data Buffer

The device maintains information from the last 32 interrupts in a 64-word circular buffer in RAM known as the Interrupt Log. Two 16-bit words characterize each interrupt; one word identifies the interrupt type (Interrupt Identification Word) and one word identifies the command that generated the interrupt (Interrupt Address Word). After reset, the Interrupt Log Address Register contains the fixed buffer start address of 0x0180. After each occurring interrupt, the device updates the register to point to the log address used for the next occurring interrupt.

5.2. Bus Controller (BC) Instruction List

BC message sequencing uses an instruction list, comprised of multiple 2-word entries. Each entry consists of an instruction word (op code plus execution condition code) followed by a parameter word. Some op codes execute unconditionally, but most are conditional, and execute only if the condition code specified in the instruction word tests true. This architecture provides flexibility for message frame scheduling and autonomous BC program execution, based on various conditions.

5.3. Bus Controller (BC) Msg Control / Status Stack

Referenced when a BC Instruction List parameter is an address pointer, the Message Control Status Stack consists of 8- or 16-word control blocks for individual MIL-STD-1553 messages. Within the message control/status block, execution parameters are provided including inter-message gap, message format, active bus, message command word(s), then address pointer to a message data block in RAM (when the command includes data) and the expected RT status response.

5.4. Bus Controller (BC) Call Stack

When the Bus Controller executes a "subroutine call" op code, the BC Subroutine Call Stack stores the list address for the next op code, to be executed upon return from subroutine. The BC call stack allows 8 levels of nesting.

5.5. Bus Controller (BC) General Purpose Queue

The Bus Controller General Purpose Queue provides a convenient way for the BC to convey information to the external host. Numerous BC op codes push various data onto the queue, including time tag count, data values, message Block Status Word or the data at specific RAM address locations.

5.6. Monitor Terminal Temporary Buffers A & B

The HI-613x Monitor Terminal (MT) has one 42 word receive buffer for each bus. Received command words, status words and data words are temporarily stored in these buffers. At message completion, the recorded data is copied to Monitor Terminal buffer(s).

5.7. Monitor Terminal (MT) Address List

The monitor Address List contains user-written RAM addresses assigning buffer start and end addresses, and buffer utilization interrupt addresses. It also has device-maintained data buffer pointer(s).

5.8. Monitor Terminal (MT) Message Filter Table

This 128-word table is optionally used to selectively monitor MIL-STD-1553 messages based on each command's RT address and subaddress, and the transmit/receive bit status.

5.9. Monitor Terminal (MT) Data Buffers

For bus monitor applications, there are two operating modes: The SMT simple monitor stores command and data words in separate RAM buffers. The IMT IRIG-106 monitor stores all information in a single RAM data buffer, with or without formatted packet header and trailer. For both, the monitor Address List assigns RAM buffer boundaries.

5.10. RT1 and RT2 Command Illegalization Tables

For each RT, optional illegal command detection utilizes this table in RAM. The table can illegalize any logical combination of 11 command word bits comprising subaddress, the transmit/receive bit and word count (or mode code), plus broadcast vs non-broadcast status,

resulting in a total of 4,096 possible combinations. Terminal response to an illegal command sets “Message Error” status and transmits Status Word only. If illegal command detection is not used (that is, no “illegal” entries in Illegalization Table), the terminal responds “in form” to all valid commands.

5.11. RT1 and RT2 Descriptor Tables

For each RT, a host-initialized Descriptor Table in RAM defines how the terminal responds to valid commands. The table is comprised of 128 four-word descriptor blocks. Each of 32 subaddresses and 32 mode code values has one descriptor block for transmit and another for receive. The descriptor table defines message options (interrupt selections, data buffer mode, etc.) and contains pointers to allocated data storage in RAM.

5.12. RT1 and RT2 Temporary Receive Buffers

Remote Terminals RT1 and RT2 temporarily store command and data words during message transaction. At successful message completion, all data is transferred to assigned subaddress buffers. This strategy prevents valid data from being overwritten by incomplete or bad data from a later message ending in error.

5.13. RT Message Data Buffers

Ordinary transmit and receive commands transact from 1 to 32 data words. The host allocates space in RAM for storing transacted message data words as well as message information words.

5.14. RT Storage for Mode Code Commands

In addition to commands used for data transmit and receive, MIL-STD-1553 also defines “mode code commands” for command and control. These “mode commands” transfer a single data word, or no data word at all. The user has the option for storing mode command data in RAM buffers assigned in the Descriptor Table, or stored within the RT Descriptor Table itself. The second option is often preferred for its simplicity.

6. HARDWARE FEATURES

6.1. Remote Terminal Address Inputs

The 5-bit Remote Terminal address is set using pins RTA4:0. The RTAP input pin should be set or reset to present matching odd parity. The state of the RT address and parity pins is latched into the RT Operational Status register upon rising edge on the \overline{MR} master reset input. The state of the LOCK input is latched into the RT Operational Status register at the same time, and controls whether or not the active terminal address and parity in the RT Operational Status register can be overwritten by host writes into the register. When the LOCK input pin is high, autoinitialization cannot overwrite the RT address value latched from the input pins. Between Master Reset assertions, the state of the RTA and RTAP input pins is “don’t care”. If the value of RT address and parity in the RT Operational Status register has parity error, terminal operation is disabled.

6.2. Dual Transceivers for MIL-STD-1553 Bus

Built-in bus transceivers provide direct interface between the device and MIL-STD-1553 bus isolation transformers. The transceivers convert digital data to and from differential Manchester II encoded bus signals. A pair of “transmit inhibit” input pins exercises direct control over transmission for both buses.

6.3. Encoder and Decoders

The device uses separate Manchester II encoders and decoders for each bus. Decoders check for proper sync pulse and Manchester waveform, edge skew, correct number of bits and parity. Encoders are used for transmission. During transmit, each encoded word is looped back through the bus decoder for error checking. Receiver bus sampling is clocked at 50 MHz, providing excellent tolerance to zero-crossing distortion.

6.4. Auto-Initialization Serial EEPROM Interface

The device has an automatic self-initialization feature. If self-initialization is enabled after \overline{MR} master reset, the device reads configuration settings from an external serial EEPROM to initialize registers and RAM structures. A method is provided to initially program or later modify the external serial EEPROM by copying host-loaded tables and register values to the serial EEPROM.

6.5. Selection of Host Interface (HI-6132 only)

The HI-6132 (hermetic ceramic BGA package) provides the option of a selectable host interface using the SPI/ $\overline{\text{BUS}}$ pin.

- $\overline{\text{BUS/SPI}}$ pin set to logic “1”: Selects 16-bit parallel bus host interface
- $\overline{\text{BUS/SPI}}$ pin reset to logic “0”: Selects SPI host interface

7. REGISTER & MEMORY ADDRESSING

The HI-613x has an internal address space of 32K 16-bit words. Registers occupy the low 80 locations in this address space. In this data sheet, register / RAM addresses are expressed as hexadecimal numbers, using the C programming convention where the prefix “0x” denotes a hexadecimal value; e.g., 0x00FF represents 00FF hex.

Figure 2 shows address mapping for registers and RAM. All registers and some RAM structures have fixed addresses. Other RAM structures shown are relocatable; Each relocatable structure has a base address register. Figure 2 shows the default locations for relocatable structures. RAM allocations for unused MIL-STD-1553 functions can be reassigned as needed. For example, an application using just a Bus Monitor can reassign all BC and RT RAM for monitor needs.

Device RAM and register address mapping is word oriented, rather than byte oriented. Register and memory addresses throughout this document reflect word addressing. For all parallel bus-interface applications (HI-6130) and most SPI interface applications (HI-6131), word oriented addressing applies. Word oriented addressing uses address inputs A15 to A1; address input A0 is not used. Fifteen bits are sufficient for a 32K address range.

7.1. 8-bit Bus Operation: (HI-6130 Only)

When required by the application, parallel bus interface HI-6130 devices can use byte transfers. All 8-bit microprocessors (and some 16-bit and 32-bit microprocessors) use (or can use) byte-oriented memory accesses. To provide byte capability, the HI-6130 uses the sixteenth bus address input, A0. Thus 16 address pins A15:0 address 64K bytes. The A0 input denotes whether the first or second byte in the word is being addressed, while A15-A1 indicate the word address. This

difference must be considered when assigning HI-6130 pointer values or accessing RAM or registers. From the microprocessor’s standpoint, any host-assigned RAM buffer address will be double the value of the buffer’s pointer stored in RAM. This paragraph only applies to HI-6130 using 8-bit bus width. From this point on, all register and memory addresses presented in this data sheet are 15-bit word addresses.

From the host standpoint, register operations and RAM operations are performed identically. Depending on function, individual registers may be read-only, read-write, or a combination of read-only and read-write bit fields. Read-only registers and read-only register bit fields, are protected against accidental host overwrite by device logic.

Addresses in the range 0x004C to 0x7FFF apply to static RAM memory. All RAM is read-write and can be written or read by either the host or the internal device logic. Both host and the device update certain RAM locations (e.g., RT Descriptor Table Control Words). These locations are protected against accidental data collision by arbitration logic which acts when concurrent writes by both host and device occur.

8. REGISTER DEFINITIONS

Residing at the start of the memory address space, 80 addresses are reserved for HI-613x registers. Register addresses overlay the shared RAM address space. Register bits are active high and bit 15 is the most significant.

Table 6 lists all device registers.

HI-6130, HI-6131

Table 6. Register Summary

<i>Register Number</i>	<i>Hex Address</i>	<i>Used By</i>	<i>Register Name</i>	<i>Hard Reset Default</i>
0	0x0000	All	Master Configuration Register (page 32)	0x0000
1	0x0001	All	Master Status and Reset Register (page 36)	0x0000
2	0x0002	RT1	RT1 Current Command Register (page 157)	0x0000
3	0x0003	RT1	RT1 Current Control Word Address Register (page 158)	0x0000
4	0x0004	RT2	RT2 Current Command Register (page 157)	0x0000
5	0x0005	RT2	RT2 Current Control Word Address Register (page 158)	0x0000
6	0x0006	All	Hardware Pending Interrupt Register (page 44)	0x0000
7	0x0007	BC	BC Pending Interrupt Register (page 97)	0x0000
8	0x0008	MT	SMT Pending Interrupt Register (page 118) IMT Pending Interrupt Register (page 146)	0x0000
9	0x0009	RT1/RT2	RT1 & RT2 Pending Interrupt Register (page 166)	0x0000
10	0x000A	All	Interrupt Count & Log Address Register (page 40)	0x0180
11	0x000B	All	Memory Address Pointer 1 (HI-6131 only) (page 56)	0x0000
12	0x000C	All	Memory Address Pointer 2 (HI-6131 only) (page 56)	0x0000
13	0x000D	All	Memory Address Pointer 3 (HI-6131 only) (page 56)	0x0000
14	0x000E	All	Memory Address Pointer 4 (HI-6131 only) (page 56)	0x0000
15	0x000F	All	Hardware Interrupt Enable Register (page 44)	0x6018
16	0x0010	BC	BC Interrupt Enable Register (page 97)	0x0000
17	0x0011	MT	SMT Interrupt Enable Register (page 118) IMT Interrupt Enable Register (page 146)	0x0000
18	0x0012	RT/RT2	RT1 & RT2 Interrupt Enable Register (page 166)	0x0000
19	0x0013	All	Hardware Interrupt Output Enable Register (page 44)	0x6018
20	0x0014	BC	BC Interrupt Output Enable Register (page 97)	0x0000
21	0x0015	MT	SMT Interrupt Output Enable Register (page 118) IMT Interrupt Output Enable Register (page 146)	0x0000
22	0x0016	RT1/RT2	RT1 & RT2 Interrupt Output Enable Register (page 166)	0x0000
23	0x0017	RT1	RT1 Configuration Register (page 150)	0x0000
24	0x0018	RT1	RT1 Operational Status Register (page 156)	0x0000
25	0x0019	RT1	RT1 Descriptor Table Base Address Register (page 158)	0x0400
26	0x001A	RT1	RT1 1553 Status Word Bits Register (page 158)	0x0000

HI-6130, HI-6131

<i>Register Number</i>	<i>Hex Address</i>	<i>Used By</i>	<i>Register Name</i>	<i>Hard Reset Default</i>
27	0x001B	RT1	RT1 Current Message Info Word Register (page 160)	0x0000
28	0x001C	RT1	RT1 Bus A Select Register (page 160)	0x0000
29	0x001D	RT1	RT1 Bus B Select Register (page 161)	0x0000
30	0x001E	RT1	RT1 Built-In Test (BIT) Word Register (page 161)	0x0000
31	0x001F	RT1	RT1 Alternate BIT Word Register (page 163)	0x0000
32	0x0020	RT2	RT2 Configuration Register (page 150)	0x0000
33	0x0021	RT2	RT2 Operational Status Register (page 156)	0x0000
34	0x0022	RT2	RT2 Descriptor Table Base Address Register (page 158)	0x0600
35	0x0023	RT2	RT2 1553 Status Word Bits Register (page 158)	0x0000
36	0x0024	RT2	RT2 Current Message Info Word Register (page 160)	0x0000
37	0x0025	RT2	RT2 Bus A Select Register (page 160)	0x0000
38	0x0026	RT2	RT2 Bus B Select Register (page 161)	0x0000
39	0x0027	RT2	RT2 Built-In Test (BIT) Word Register (page 161)	0x0000
40	0x0028	RT2	RT2 Alt. BIT Word Register (page 163)	0x0000
41	0x0029	MT	SMT (Bus Monitor) Configuration Register (page 110) IMT (Bus Monitor) Configuration Register (page 135)	0x0800
42	0x002A	MT	IMT Packet Maximum Message Count (page 140)	0x0000
43	0x002B	MT	IMT Packet Maximum 1553 Word Count (page 140)	0x0000
44	0x002C	MT	IMT Packet Maximum Time (page 141)	0x0000
45	0x002D	MT	IMT Packet Maximum Gap Time (page 141)	0x0000
46	0x002E	MT	IMT Channel ID Register (page 142)	0x0000
47	0x002F	MT	SMT Address List Start Address Register (page 113) IMT Address List Start Address Register (page 139)	0x00B0
48	0x0030	MT	SMT Next Message Buffer Address Pointer (page 113) IMT Next Message Buffer Address Pointer (page 139)	0x0000
49	0x0031	MT	SMT Last Message Buffer Address Register (page 114) IMT Last Message Buffer Address Register (page 139)	0x0000
50	0x0032	BC	BC Configuration Register (page 80)	0x0000
51	0x0033	BC	Start Address Register for BC Instruction List (page 89)	0x0000
52	0x0034	BC	BC Instruction List Pointer (page 89)	0x0000
53	0x0035	BC	BC Frame Time Remaining Register (page 90)	0x0000
54	0x0036	BC	BC Time to Next Message Register (page 90)	0x0000

HI-6130, HI-6131

<i>Register Number</i>	<i>Hex Address</i>	<i>Used By</i>	<i>Register Name</i>	<i>Hard Reset Default</i>
55	0x0037	BC	BC Condition Code (page 90) BC General Purpose Flag Register (page 93)	0x0000
56	0x0038	BC	BC General Purpose Queue Pointer Register (page 93)	0x00C0
57	0x0039	All	Time Tag Counter Configuration Register (page 52)	0x0000
58	0x003A	MT	SMT Time Tag Counter Low (page 114) IMT Time Tag Counter Low (page 143)	0x0000
59	0x003B	MT	SMT Time Tag Counter Mid (page 114) IMT Time Tag Counter Mid (page 143)	0x0000
60	0x003C	MT	SMT Time Tag Counter High (page 114) IMT Time Tag Counter High (page 143)	0x0000
61	0x003D	MT	SMT Time Tag Utility Register Low (count load or capture) (page 115) IMT Time Tag Utility Register Low (count load or capture) (page 143)	0x0000
62	0x003E	MT	SMT Time Tag Utility Register Mid (count load or capture) (page 115) IMT Time Tag Utility Register Mid (count load or capture) (page 143)	0x0000
63	0x003F	MT	SMT Time Tag Utility Register High (count load or capture) (page 115) IMT Time Tag Utility Register High (count load or capture) (page 144)	0x0000
64	0x0040	MT	SMT Time Tag Match Register Low (count match interrupt) (page 116) IMT Time Tag Match Register Low (count match interrupt) (page 144)	0x0000
65	0x0041	MT	SMT Time Tag Match Register Mid (count match interrupt) (page 116) IMT Time Tag Match Register Mid (count match interrupt) (page 144)	0x0000
66	0x0042	MT	SMT Time Tag Match Register High (count match interrupt) (page 116) IMT Time Tag Match Register High (count match interrupt) (page 144)	0x0000
67	0x0043	BC	BC Time Tag Counter Low (page 94)	0x0000
68	0x0044	BC	BC Time Tag Counter High (page 94)	0x0000
69	0x0045	BC	BC Time Tag Utility Register Low (count load or capture) (page 95)	0x0000
70	0x0046	BC	BC Time Tag Utility Register High (count load or capture) (page 95)	0x0000
71	0x0047	BC	BC Time Tag Match Register Low (count match interrupt) (page 95)	0x0000
72	0x0048	BC	BC Time Tag Match Register High (count match interrupt) (page 95)	0x0000
73	0x0049	RT1	RT1 Time Tag Counter (page 163)	0x0000
74	0x004A	RT1	RT1 Time Tag Utility Register (count load / count match interrupt) (page 164)	0x0000
75	0x004B	RT2	RT2 Time Tag Counter (page 163)	0x0000

HI-6130, HI-6131

Register Number	Hex Address	Used By	Register Name	Hard Reset Default
76	0x004C	RT2	RT2 Time Tag Utility Register (count load / count match interrupt) (page 164)	0x0000
77	0x004D	BC / RT1	Extended Configuration Register	0x0000
78	0x004E	----	Checksum Fail Address & EEPROM Lock/Unlock	0x0000
79	0x004F	BC	BC Last Message Block Address	0x0000
80	0x0050	BC	Default location for BC WMI address pointer	0x0000
40*	0x0028	Self-Test	Self-Test Control Register (when TEST input pin is logic 1) (see page 237). When TEST pin is logic 0, this address is an RT2 register.	0x0000
31*	0x001F	Self-Test	Loopback Test Transmit Data Register (when TEST input pin is logic 1) (see page 241). When TEST pin is logic 0, this address is an RT1 register.	0x0000
2*	0x0002	Self-Test	Loopback Test Receive Data Register (when TEST input pin is logic 1) (see page 241). When TEST pin is logic 0, this address is an RT1 register.	0x0000
27*	0x001B	Self-Test	RAM Self-Test Fail Address Register (when TEST input pin is logic 1) (see "RAM Self-Test Fail Address Register (0x001B)" on page 241). When TEST pin is logic 0, this address is an RT1 register.	0x0000
36**	0x0024	Auto-Init.	Memory Test Fail Address Register (when AUTOEN input pin is logic 1) (see page 232). This is the first RAM / register address with data mismatch (see Section 23.1 on page 229). Once execution starts, register address 0x0024 is an RT2 register.	0x0000

* Alternate function for these registers when TEST pin is logic 1.

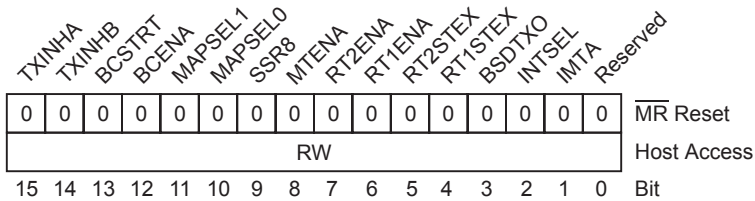
** Alternate function after reset when AUTOEN pin is logic 1.

Register descriptions are grouped by function: Bus Controller, Bus Monitor, Remote Terminal. Here is the presentation order:

1. Registers used by all device functions (configuration, status and time tag registers),
2. Bus Controller registers,
3. Bus Controller configuration and operation,
4. Bus Monitor registers,
5. Bus Monitor configuration and operation,
6. Remote Terminal registers,
7. Remote Terminal configuration and operation

9. REGISTERS USED BY ALL DEVICE FUNCTIONS

9.1. Master Configuration Register (0x0000)



All bits in this 16-bit register are read-write and are fully maintained by the host. This register is cleared after \overline{MR} master reset, and is unaffected by assertion of the MTRESET, RT1RESET or RT2RESET bits in the “Master Status and Reset Register (0x0001)”.

When configuring registers and RAM following Reset, “Master Configuration Register (0x0000)” should always be written **last** to ensure configuration and initialization is complete **before** starting terminal operation (i.e. this ensures BCSTART, RT1STEX and RT2STEX bits are not set until after configuration is complete). See “23.1. Hardware Master Reset and Optional Auto-Initialization” for further details.

Bit No.	Mnemonic	R/W	Reset	Function
15	TXINHA	R/W	0	Transmit Inhibit Bus A. This bit is logically ORed with the TXINHA input pin. This register bit and the corresponding TXINHA pin globally affect all enabled 1553 devices (BC, MT, RT). This inhibit disables all transmission on Bus A.
14	TXINHB	R/W	0	Transmit Inhibit Bus B. This bit is logically ORed with the TXINHB input pin. This register bit and the corresponding TXINHB pin globally affect all enabled 1553 devices (BC, MT, RT). This inhibit disables all transmission on Bus B.
13	BCSTRT	R/W	0	Bus Controller Start. If the BCENA input pin and BCENA register bit are both logic 1, a host write which sets this bit to 1 begins Bus Controller operation. When written to 1, this bit self-resets to 0. This bit always reads back a logic 0 state. Note: Setting BCENA low clears any pending BCSTRT operation.
12	BCENA	R/W	0	Bus Controller Enable. This bit is logically ANDed with the BCENA input pin. If either the input pin or this register bit is logic 0, Bus Controller operation is disabled. The BCENA input pin should be connected to ground in applications not using BC mode. This bit cannot be set if BCENA input pin = 0. When the BCENA pin and BCENA register bit are both logic 1, the Bus Controller device is enabled, but BC operation does not begin until BCSTRT bit 13 is set. If this register bit or the BCENA input pin becomes logic 0 while BC operation is underway, the BC operation will complete the current opcode and then stop execution.

HI-6130, HI-6131

Bit No.	Mnemonic	R/W	Reset	Function																				
11 – 10	MAPSEL1:0 (HI-6131 only)	R/W	0	<p>MAP (Memory Address Pointer) Select.</p> <p>This 2-bit field only applies to the HI-6131 with SPI host interface. The host SPI relies on a hardware memory address pointer for many SPI register or RAM accesses. This 2-bit field specifies which MAP is active for SPI transactions:</p> <table border="1" style="margin-left: auto; margin-right: auto;"> <thead> <tr> <th>Register Bit 11-10</th> <th>Active Map</th> <th>MAP Register Address</th> <th>Enabling SPI Op Code</th> </tr> </thead> <tbody> <tr> <td>0-0</td> <td>MAP1</td> <td>0x000B</td> <td>0xD8</td> </tr> <tr> <td>0-1</td> <td>MAP2</td> <td>0x000C</td> <td>0xD9</td> </tr> <tr> <td>1-0</td> <td>MAP3</td> <td>0x000D</td> <td>0xDA</td> </tr> <tr> <td>1-1</td> <td>MAP4</td> <td>0x000E</td> <td>0xDB</td> </tr> </tbody> </table>	Register Bit 11-10	Active Map	MAP Register Address	Enabling SPI Op Code	0-0	MAP1	0x000B	0xD8	0-1	MAP2	0x000C	0xD9	1-0	MAP3	0x000D	0xDA	1-1	MAP4	0x000E	0xDB
				Register Bit 11-10	Active Map	MAP Register Address	Enabling SPI Op Code																	
0-0	MAP1	0x000B	0xD8																					
0-1	MAP2	0x000C	0xD9																					
1-0	MAP3	0x000D	0xDA																					
1-1	MAP4	0x000E	0xDB																					
<p>The full 16-bit register can be directly written by the host using SPI op code 0x10, followed by 16-bit data word. An alternative method uses SPI op codes 0xD8 – 0xDA that write just the 2-bit MAPSEL field, without affecting other register data. These four SPI op codes only require transmission of an 8-bit instruction, without accompanying data.</p> <p>Note: “Fast access” SPI op codes contain embedded register addresses and use a separate memory address pointer. This preserves values contained in MAP1 through MAP4. The “fast access MAP” cannot be read by the host but is written each time a “fast access” op code is processed. Fast Access op codes are provided for these SPI operations:</p> <ul style="list-style-type: none"> • SPI reads to register addresses 0 through 0x000F (decimal 15) • SPI writes to register addresses 0 through 0x003F (decimal 63) 																								
9	SSR8 (HI-6130 only)	R/W	0	<p>Single-Strobe Read for 8-Bit Parallel Bus.</p> <p>This option only applies to HI-6130 devices with host parallel bus interface configured for 8-bit bus width. When performing 2-byte memory read accesses, some microprocessors with 8-bit bus assert separate <u>Read_Enable</u> (or <u>STROBE</u>) pulses for high and low bytes. Other microprocessors assert a single, wider <u>Read_Enable</u> (or <u>STROBE</u>) pulse, while simply changing the low address bit (A0 / LB) to access the two bytes. For this last case, the SSRD8 bit should be set when writing device configuration, before the first register or RAM read access is performed.</p>																				
8	MTENA	R/W	0	<p>Bus Monitor Enable.</p> <p>This bit is logically ANDed with the MTRUN input pin. If input pin or register bit equals logic 0, Bus Monitor operation is disabled. The MTRUN input pin should be connected to ground in applications not using monitor mode.</p> <p>When the MTRUN pin and MTENA register bit are both logic 1, the Bus Monitor is enabled, Operation commences when the receiver first decodes MIL-STD-1553 activity meeting the “start record” criteria selected by bits 6:5 in the MT Configuration Register. If monitor operation is underway when the MTENA register bit or MTRUN input pin becomes logic 0, monitor operation stops immediately. If a message is currently in progress, the MT will not record the remaining words received and will log a Word Count error if not at the end of message.</p>																				

HI-6130, HI-6131

<i>Bit No.</i>	<i>Mnemonic</i>	<i>R/W</i>	<i>Reset</i>	<i>Function</i>
7	RT2ENA	R/W	0	<p>Remote Terminal 2 Enable.</p> <p>This bit is logically ANDed with the RT2ENA input pin. If input pin or register bit equals logic 0, RT2 operation is disabled. The RT2ENA input pin should be connected to ground in applications not using Remote Terminal 2. This bit cannot be set if RT2ENA input pin = 0.</p> <p>When the register bit and RT2ENA input pin are both logic 1, Remote Terminal 2 is enabled, but operation is controlled by the state of the RT2STEX register bit.</p> <p>If Remote Terminal Operation is underway when the RTxENA register bit or RTxENA Pin becomes logic 0, the RT operation will stop immediately.</p>
6	RT1ENA	R/W	0	<p>Remote Terminal 1 Enable.</p> <p>This bit is logically ANDed with the RT1ENA input pin. If input pin or register bit equals logic 0, RT1 operation is disabled. The RT1ENA input pin should be connected to ground in applications not using Remote Terminal 1. This bit cannot be set if RT1ENA input pin = 0.</p> <p>When the register bit and RT1ENA input pin are both logic 1, Remote Terminal 1 is enabled, but operation is controlled by the state of the RT1STEX register bit.</p> <p>If Remote Terminal Operation is underway when the RTxENA register bit or RTxENA Pin becomes logic 0, the RT operation will stop immediately.</p>
5	RT2STEX	R/W	0	<p>Remote Terminal 2 Start Execution.</p> <p>If register bit 7 and the RT2ENA input pin are both logic 1, setting this bit begins Remote Terminal 2 operation. Once running, resetting this bit (or the RT2ENA register bit or RT2ENA input pin) immediately stops RT2 operation.</p>
4	RT1STEX	R/W	0	<p>Remote Terminal 1 Start Execution.</p> <p>If register bit 6 and the RT1ENA input pin are both logic 1, setting this bit begins Remote Terminal 1 operation. Once running, resetting this bit (or the RT1ENA register bit or RT1ENA input pin) immediately stops RT1 operation.</p>

HI-6130, HI-6131

Bit No.	Mnemonic	R/W	Reset	Function
3	BSDTXO	R/W	0	<p>Bus Shutdown Transmit Only.</p> <p>The bit only applies when Remote Terminal RT1 and/or RT2 is enabled. The BSDTXO bit determines how a 1553 bus inhibit works when (a) the RTxINHA or RTxINHb bit is set in the RT Configuration Register, or (b) the RT receives a valid “bus shutdown” mode code command, either MC4 or MC20:</p> <ul style="list-style-type: none"> • When the BSDTXO bit is reset, logic 1 for an RTxINHA or RTxINHb bit in a RT Configuration Register (or a “bus shutdown” mode command with auto shutdown enabled) inhibits both transmit and receive on the selected bus. • When the BSDTXO bit is set, logic 1 for an RTxINHA or RTxINHb bit in a RT Configuration Register (or a “bus shutdown” mode command with auto shutdown enabled) inhibits transmit only on the selected bus; but receive functions are unaffected. Valid commands are heeded, but the RT transmits no responses. NOT RECOMMENDED. <p>The HI-613x RT1 and RT2 automatically fulfill unconditional MC4 “bus shutdown” in accordance with the BSDTXO setting, as well as MC5 “override bus shutdown.”</p> <p>The AUTOBSD bit in the RT Configuration Register determines whether conditional MC20 “selected bus shutdown” and MC21 “override selected bus shutdown” are fulfilled automatically, or by host writes to the RTxINHA or RTxINHb bits in the appropriate RT Configuration Register:</p> <ul style="list-style-type: none"> • When the AUTOBSD bit is logic 1 in the RT1 or RT2 Configuration Register, automatic fulfillment is disabled for MC20 “selected bus shutdown” and MC21 “override selected bus shutdown” mode commands. The host fulfills bus shutdown and override by writing the RTxINHA and RTxINHb bits in the appropriate RT Configuration Register. • When the AUTOBSD bit is logic 0 in the RT1 or RT2 Configuration Register, automatic fulfillment is enabled for MC20 “selected bus shutdown” and MC21 “override selected bus shutdown” mode commands. When the received mode data word matches the value stored in the RT “Bus A (or B) Select” register, the RT automatically fulfills MC20 “selected bus shutdown” in accordance with the BSDTXO setting, as well as MC21 “override selected bus shutdown”. Auto-shutdown bypasses the RTxINHA and RTxINHb bits in the RT Configuration Register, but the upper 4 bits in the RT’s BIT Word register indicate Tx and Rx bus shutdown status.
2	INTSEL	R/W	0	<p>IRQ Output Type Select.</p> <p>When this bit is 0, the \overline{IRQ} (interrupt request) output generates a 1μs negative pulse when enabled interrupt events occur. When this bit is logic 1, the \overline{IRQ} output consists of a continuous low level output requiring host action to negate \overline{IRQ} to the high state. When level interrupts are enabled, the host negates \overline{IRQ} by asserting the ACKIRQ input pin for at least 250ns.</p>

HI-6130, HI-6131

Bit No.	Mnemonic	R/W	Reset	Function
1	IMTA	R/W	0	Indicate MT Activity. When this bit equals 0, the ACTIVE status output is not asserted for Bus Monitor activity, unless the monitored message involves another on-chip terminal). When this bit equals 1, enabled Bus Monitor activity is logically-ORed with the activity of the other on-chip devices to determine ACTIVE status; the ACTIVE output is asserted during such Bus Monitor activity, whether or not the monitored message involves another on-chip terminal.
0	Reserved	-	-	This bit is not used and reads logic 0.

9.2. Master Status and Reset Register (0x0001)

READY	Reserved	AUTOEN	MTRESET	RT2RESET	RT1RESET	BCMIP	BCACTIVE	MTMIP	MTPIP	RT1MIP	RT1MIP	RT2INH	RT1INH	EECKE	RAMIF
0	0	0	0	0	0	0	0	0	0	0	0	0	0	0	0
R	RW	R													
15	14	13	12	11	10	9	8	7	6	5	4	3	2	1	0

MR Reset
Host Access

This 16-bit register has a combination of read only and read-write bits. This register is cleared after \overline{MR} pin master reset, but is unaffected by assertion of MTRESET, RT1RESET or RT2RESET register bits.

Bit No.	Mnemonic	R/W	Reset	Function
15	READY	R	0	The READY output pin reflects the state of this register bit. READY is low when auto-initialization, a soft reset caused by bit 12~10 assertion, or built-in test is underway. Host access to device registers or RAM is locked out while READY is low. While READY = 0, any host read access returns the value in this register, regardless of address provided. When READY goes high, the host may access registers and RAM.
14	Reserved	R	0	This bit is not used.
13	AUTOEN	R	0	Auto-Initialization Enable Status. This bit reflects the state of the AUTOEN input pin that applied at the rising edge on the \overline{MR} Master Reset input pin. If the register bit is high, auto-initialization was performed following \overline{MR} reset.
12	MTRESET	R/W	0	Bus Monitor Reset. When written to logic 1, this bit initiates Bus Monitor reset. This bit remains high until reset is complete. While this bit remains high, the READY output pin and register bit 15 are held low, host RAM and register access is suspended. While READY = 0, any host read access returns the value in this register, regardless of address provided. Upon reset completion, this bit self-clears to logic 0, the READY pin goes high and host read/write access is restored.

HI-6130, HI-6131

<i>Bit No.</i>	<i>Mnemonic</i>	<i>R/W</i>	<i>Reset</i>	<i>Function</i>
11	RT2RESET	R/W	0	<p>Remote Terminal 2 Reset.</p> <p>When written to logic 1, this bit initiates RT2 reset by clearing the RT2STEX Start Execution bit in the “Master Configuration Register (0x0000)”, then performing the RT soft reset actions described in Section 23. This bit remains high until reset is complete. While this bit remains high, the READY output pin and register bit 15 are held low, host RAM and register access is suspended. While READY = 0, any host read access returns the value in this register, regardless of address provided. Upon reset completion, this bit self-clears to logic 0, the READY pin goes high and host read/write access is restored.</p>
10	RT1RESET	R/W	0	<p>Remote Terminal 1 Reset.</p> <p>When written to logic 1, this bit initiates RT1 reset by clearing the RT1STEX Start Execution bit in the “Master Configuration Register (0x0000)”, then performing the RT soft reset actions described in Section 23. This bit remains high until reset is complete. While this bit remains high, the READY output pin and register bit 15 are held low, host RAM and register access is suspended. While READY = 0, any host read access returns the value in this register, regardless of address provided. Upon reset completion, this bit self-clears to logic 0, the READY pin goes high and host read/write access is restored.</p>
9	BCMIP	R	0	<p>BC Message in Process.</p> <p>This bit is high when the BC is processing a MIL-STD-1553 message. Falling edge occurs at message completion, after register and RAM buffer updates.</p>
8	BCACTIVE	R	0	<p>BC Active.</p> <p>This bit is high when the BC is enabled and running. It will read logic 1 during MIL-STD-1553 message processing and during programmed delays.</p>
7	MTMIP	R	0	<p>Bus Monitor Message in Process.</p> <p>This bit is set when a valid MIL-STD-1553 command is decoded, and is reset upon monitored message completion.</p>
6	MTPIP	R	0	<p>Bus Monitor Packet in Process.</p> <p>This bit is set at start of a data packet and is reset when the packet is deemed complete.</p>
5	RT2MIP	R	0	<p>Remote Terminal 2 Message in Process.</p> <p>This bit is set when a valid MIL-STD-1553 command is decoded for RT2, and is reset upon message completion.</p>
4	RT1MIP	R	0	<p>Remote Terminal 1 Message in Process.</p> <p>This bit is set when a valid MIL-STD-1553 command is decoded for RT1, and is reset upon message completion.</p>

HI-6130, HI-6131

<i>Bit No.</i>	<i>Mnemonic</i>	<i>R/W</i>	<i>Reset</i>	<i>Function</i>
3	RT2INH	R	0	<p>Remote Terminal 2 Bus Inhibited.</p> <p>This bit is high when one bus is inhibited for RT2 due to execution of a “bus shutdown” mode code command. The shut-down bus is identified in the RT2 BIT (built-in test) Word Register. Shut-down can be ended by “bus shutdown override” mode code command, $\overline{\text{MR}}$ reset or setting the RT2RESET bit in this register.</p>
2	RT1INH	R	0	<p>Remote Terminal 1 Bus Inhibited.</p> <p>This bit is high when one bus is inhibited for RT1 due to execution of a “bus shutdown” mode code command. The shut-down bus is identified in the RT1 BIT (built-in test) Word Register. Shut-down can be ended by “bus shutdown override” mode code command, $\overline{\text{MR}}$ reset or setting the RT1RESET bit in this register.</p>
1	EECKE	R	0	<p>EEPROM Checksum Error.</p> <p>This function <u>only</u> applies when the AUTOEN input pin is logic 1 at rising edge of $\overline{\text{MR}}$ Master Reset. This enables auto-initialization from serial EEPROM, as well as RT or MT soft reset with auto-initialization.</p> <p>The EECKE bit is set (as well as bit 14 in the Hardware Pending Interrupt Register, 0x0006) when a serial EEPROM checksum failure occurs. Such failure may occur during full auto-initialization after $\overline{\text{MR}}$ master reset, or during execution of a partial, terminal-specific reset after assertion of the RT1RESET, RT2RESET or MTRESET bits in this register.</p>
0	RAMIF	R	0	<p>RAM Initialization Fail Interrupt.</p> <p>This function <u>only</u> applies when the AUTOEN input pin is logic 1 at rising edge of $\overline{\text{MR}}$ Master Reset. This enables auto-initialization from serial EEPROM, as well as terminal-specific partial auto-initialization during RT or MT soft reset.</p> <p>The RAMIF bit is set (as well as bit 13 in the Hardware Pending Interrupt Register, 0x0006) when one or more initialized RAM locations do not match their two corresponding serial EEPROM byte locations. Such failure may occur during full auto-initialization after $\overline{\text{MR}}$ master reset, or during execution of a partial, terminal-specific reset after assertion of the RT1RESET, RT2RESET or MTRESET bits in this register.</p>

9.3. Overview of Interrupts

For interrupt management, the host accesses up to thirteen HI-613x registers and a 64-word circular Interrupt Log Buffer in RAM. The log buffer and the Interrupt Count & Log Address Register are utilized in any system design involving interrupts. In addition, there are four 3-register groups, identified by terminal function. One 3-register group is for Hardware interrupts; this register triplet is active in every HI-613x design. Other 3-register groups are only active when the corresponding terminal functions are enabled; these are the interrupt register triplets used for Bus Controller, Bus Monitor and Remote Terminal interrupts. The Remote Terminal interrupt register triplet is shared by RT1 and RT2.

Each interrupt register triplet for BC, SMT or IMT, RT or Hardware consists of

- An Interrupt Enable Register to enable and disable interrupt recognition
- A Pending Interrupt Register to capture the occurrence of enabled interrupts
- An Interrupt Output Enable Register selectively enables $\overline{\text{IRQ}}$ output to host when enabled interrupts occur

Within each register triplet, corresponding register bits are mapped to the same interrupt-causing event. Initialize the Interrupt Enable Register to select interrupt-causing events heeded by the HI-613x; most applications utilize just a subset of the available interrupt options. Interrupt-causing events are ignored if their corresponding bits are reset in the Interrupt Enable Register. Setting an Interrupt Enable register bit from 0 to 1 does not trigger interrupt recognition for events that occurred while the bit was zero.

The next datasheet sections describes interrupt features active in all HI-613x projects, namely the Interrupt Log Buffer, the Interrupt Count & Log Address Register and the Hardware Interrupt register triplet.

9.4. Hardware Interrupt Behavior

Behavior described here for Hardware Interrupts closely resembles the behavior for the BC, RT and SMT or IMT interrupt register triplets, described later in the four corresponding sections of this datasheet.

When an enabled hardware interrupt event occurs, the Interrupt Log Buffer is updated and a bit is set in the Hardware Pending Interrupt Register. This action takes place only if the bit for the interrupt-causing event was already set in the Hardware Interrupt Enable Register. The host can poll the Hardware Pending Interrupt Register to detect occurrence of hardware interrupts, indicated by non-zero value. **When the host reads the Hardware Pending Interrupt Register, it automatically clears to 0x0000.**

When an enabled hardware interrupt event occurs, if the corresponding bit is also set in the Hardware Interrupt Output Enable Register, the $\overline{\text{IRQ}}$ output is asserted to alert the host. Thus, the Hardware Interrupt Output Enable Register establishes two interrupt priority levels for hardware events: high priority interrupts generate an $\overline{\text{IRQ}}$ signal output, while low priority interrupts do not. The host detects low priority interrupts by polling the Hardware Pending Interrupt Register.

A single $\overline{\text{IRQ}}$ host interrupt output signal is shared by all enabled interrupt conditions having bits set in the Hardware, BC, RT or MT Interrupt Output Enable registers. Multiple interrupt-causing events can occur simultaneously, so each $\overline{\text{IRQ}}$ output assertion can result from one or more interrupt conditions.

When the host receives an $\overline{\text{IRQ}}$ signal from the device, it identifies the event (or events) that triggered the interrupt. The host has two options: (a) go to the Interrupt Log Buffer (using the method described in sections 9.5 and 9.6), or (b) use a hardware-assisted scheme using the three low order bits in the Hardware Pending Interrupt Register to identify new interrupt(s).

For the second method, the host reads the Hardware Pending Interrupt Register. While bits 15-3 in this register identify hardware interrupt conditions, the three low-order register bits indicate zero vs. non-zero status for the BC, RT and MT Pending Interrupt Registers. If any of these bits is logic 1, the corresponding Pending Interrupt Register has one or more interrupt flags set. Any combination of these three bits may be set, or all three bits may be zero, if only hardware interrupt(s) occurred. When the host reads any of the four Pending Interrupt registers, the read access self-resets the register to 0x0000. Thus, the host should retain the read value from the Hardware Pending Interrupt Register when

HI-6130, HI-6131

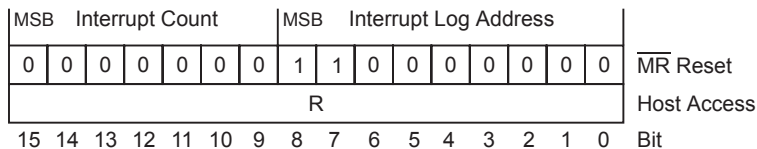
1 or more bits are non-zero in the bit 2-0 range. These bits indicate zero vs. non-zero status for the BC, RT and MT Pending Interrupt Registers:

- When bits 2-0 in the Hardware Pending Interrupt Register read 000, there are no new interrupts in the BC, RT and MT Pending Interrupt Registers.
- When BCIP (BC Interrupt Pending) bit 0 is set in the Hardware Pending Interrupt Register, the BC Pending Interrupt Register contains a nonzero value. The host can read the BC Pending Interrupt Register to identify the specific bus controller interrupt event(s).
- When MTIP (MT Interrupt Pending) bit 1 is set in the Hardware Pending Interrupt Register, the MT Pending Interrupt Register contains a nonzero value. The host can read the MT Pending Interrupt Register (shared by SMT or IMT) to identify the specific bus monitor interrupt event(s).
- When RTIP (RT Interrupt Pending) bit 1 is set in the Hardware Pending Interrupt Register, the RT Pending Interrupt Register contains a nonzero value. The host can read the RT Pending Interrupt Register to identify specific RT1 or RT2 interrupt event(s).

When polling the Pending Interrupt registers to identify low priority interrupts that do not assert the $\overline{\text{IRQ}}$ output, the same decoding method can be applied. A single read of the Hardware Pending Interrupt Register reveals zero vs. Non-zero status of all four Pending Interrupt registers.

Alternately, the host can poll the Interrupt Count & Log Address Register to identify low priority interrupts that do not assert the $\overline{\text{IRQ}}$ output. Bits 15:9 in this register contain a 7-bit count value indicating the number of interrupts logged (0 - 127) since the Interrupt Count & Log Address Register was last read. Although the Interrupt Log Buffer only holds data from the last 32 interrupts, register bits 15:9 count beyond 32 for buffer overrun detection. Counting stops at 127. Register bits 15:9 are reset automatically when the host reads the Interrupt Count & Log Address Register.

9.5. Interrupt Count & Log Address Register (0x000A)



This 16-bit register is read-only and is fully maintained by HI-613x logic. The register contains 0x0180 after error-free $\overline{\text{MR}}$ pin master reset. It is not affected by assertion of MTRESET, RT1RESET or RT2RESET bits in the Master Status and Reset Register (0x0001). **Note:** Four bits in the Hardware Interrupt Enable Register 0x000F come out of $\overline{\text{MR}}$ master reset fully enabled (see 9.7.1 on page 44). If error occurs after reset to trigger one of these 4 interrupts, the post-reset value in the register will not be 0x0180. The upper bits will reflect 1 to 4 interrupts have occurred (count left-shifted 9 places) and the lower bits (ranging from 1 to 4 interrupts) will reflect an even pointer address of 0x182, 0x184, 0x186 or 0x188.

The value in Interrupt Log Address register bits 8:0 is a 9-bit address pointer to the circular 64-word Interrupt Log Buffer, located in RAM. Register bits 8:6 are always 1-1-0 so the 9-bit address pointer ranges from 0x0180 to 0x01BE. This pointer indicates the storage address for two information words that will be stored for the next-occurring interrupt. The value is always even since two words are stored for each interrupt.

Upper register bits 15:9 contain a 7-bit count value for the number of interrupts logged (0 - 127) since the Interrupt Count & Log Address Register was last read. Although the circular Interrupt Log Buffer only retains data from the last 32 interrupts, counting continues beyond 32 so the host can detect circular buffer overrun. Bits 15:9 stop incrementing at full count (127 interrupts) and automatically reset to zero when the host reads this register.

After $\overline{\text{MR}}$ master reset, the HI-613x initializes this register to 0x0180, an interrupt count of zero and Interrupt Log Buffer address of 0x180. After reset, the first interrupt stores words at buffer addresses 0x0180 and 0x0181. Subsequent interrupts store word pairs at sequential addresses. Information words for the 32nd interrupt are stored in last two buffer addresses 0x01BE and 0x01BF, and the Interrupt Log Address “rolls over” to read 0x0180, where interrupt

information for the 33rd post-reset interrupt will be stored.

9.6. Interrupt Log Buffer

Shown in Figure 3, the Interrupt Log Buffer is a circular 64-word buffer in RAM, residing at address range 0x0180 to 0x01BF. Device logic stores two information words in the buffer for each enabled interrupt that occurs, so buffer size dictates storage for up to 32 interrupt events. After the 32nd, 64th, 96th,... interrupt occurs, the buffer address pointer (bits 8:0 in register 0x000A) “wraps around” to buffer start address 0x0180 and subsequent interrupts overwrite previously stored interrupt information (see “Interrupt Count & Log Address Register (0x000A)” on page 40).

HI-613x interrupt logic stores two words in the Interrupt Log Buffer for each enabled interrupt that occurs: an Interrupt Identification Word and an Interrupt Address Word. The Interrupt Identification Word (IIW) identifies the occurring interrupt type (BC, MT or RT) using the same format as the three low order bits in the “Hardware Pending Interrupt Register (0x0006)”, and the interrupt itself by matching bits [15:3] to the applicable Pending Interrupt Register. More than one bit may be asserted in an Interrupt Identification Word. For example, IBR (interrupt broadcast received) and MERR (interrupt message error) can occur for the same RT message. One assertion of the INT output pin alerts the host when concurrent message interrupts occur.

The log buffer Interrupt Address Word varies, depending on the interrupt type. Hardware interrupts are not directly linked with command or message processing. Hardware interrupts write an Interrupt Address Word value of 0x0000, except when a RAMERR (Detected and Corrected 24K RAM Error) or UNCRE (Uncorrected 24K RAM Error) interrupt occurs (see Table 7 below). For BC, SMT or IMT interrupts, the Interrupt Address Word (IAW) identifies the message in which the interrupt occurred. For RT interrupts, the Interrupt Address Word (IAW) identifies the start location of the Descriptor Table entry for the message in which the interrupt occurred:

Table 7. Format of IIW and IAW in Interrupt Log Buffer

Interrupt Type	Interrupt Identification Word (IIW)	Interrupt Address Word (IAW)
Hardware	Matches format of the “Hardware Pending Interrupt Register (0x0006)” on page 44	Always 0x0000. EXCEPTION: When RAMERR or UNCRE interrupts occur, the IAW will contain the address of the location in RAM where the error occurred.
Bus Controller (BC)	Bits 2:0 will match bits 2:0 of the “Hardware Pending Interrupt Register (0x0006)” on page 44, indicating the interrupt type. For a BC interrupt, bit 0 will be set. Bits 15:3 will match bits 15:3 of the “Bus Controller (BC) Pending Interrupt Register (0x0007)” on page 97, indicating which interrupt occurred.	A BC Control/Status Block address, points to the Block Status Word of the message in which interrupt occurred
Simple Bus Monitor (SMT)	Bits 2:0 will match bits 2:0 of the “Hardware Pending Interrupt Register (0x0006)” on page 44, indicating the interrupt type. For a MT interrupt, bit 1 will be set. Bits 15:3 will match bits 15:3 of the “SMT Bus Monitor Pending Interrupt Register (0x0008)” on page 118, indicating which interrupt occurred.	An SMT Command Buffer address, points to the Block Status Word of the message in which interrupt occurred

HI-6130, HI-6131

Interrupt Type	Interrupt Identification Word (IIW)	Interrupt Address Word (IAW)
IRIG-106 Bus Monitor (IMT)	<p>Bits 2:0 will match bits 2:0 of the “Hardware Pending Interrupt Register (0x0006)” on page 44, indicating the interrupt type. For a MT interrupt, bit 1 will be set.</p> <p>Bits 15:3 will match bits 15:3 of the “IMT Bus Monitor Pending Interrupt Register (0x0008)” on page 146, indicating which interrupt occurred.</p>	An IMT integrated Data Buffer address, points to the Block Status Word of the message in which interrupt occurred
Remote Terminal RT1 and/or RT2	<p>Bits 2:0 will match bits 2:0 of the “Hardware Pending Interrupt Register (0x0006)” on page 44, indicating the interrupt type. For a RT1 and/or RT2 interrupt, bit 2 will be set.</p> <p>Bits 15:3 will match bits 15:3 of the “Remote Terminal (RT) Pending Interrupt Register (0x0009)” on page 166, indicating which interrupt occurred.</p> <p>EXCEPTION: If INTBUSY bit 2 is set in “Extended Configuration Register (0x004D)”, then bit 9 of RT Interrupt Information Word serves as WASBUSY status flag, asserted if terminal was BUSY when message interrupt occurred.</p> <p>See “Extended Configuration Register (0x004D)” on page 48.</p> <p>Note: Busy status is not an interrupt causing event.</p>	RT1 or RT2 Descriptor Table address pointing to the start location of the Descriptor Table entry of the message in which interrupt occurred

For a given terminal (BC, SMT, IMT or RT1/RT2) multiple interrupts can be enabled, and two or more interrupts can occur in a single message. There will be a single 2-word Log Buffer update and the Interrupt Information Word will have one bit set for each occurring interrupt. Simultaneous interrupts for one terminal (having interrupt output enabled) are logically-ORed, resulting in a single assertion of the \overline{IRQ} output to the host.

When operating with two or more enabled terminal devices (BC, SMT, IMT or RT1/RT2), simultaneous interrupts can occur in the same message for multiple terminals. Each terminal device with occurring interrupt(s) will have its own 2-word Log Buffer update. Simultaneous interrupts for multiple terminals (having interrupt output enabled) are logically-ORed, resulting in a single assertion of the \overline{IRQ} output to the host.

In later data sheet sections, definitions are provided for interrupt register triplets used by the BC (bus controller), SMT (simple monitor terminal), IMT (IRIG-106 monitor terminal) and RT (remote terminal).

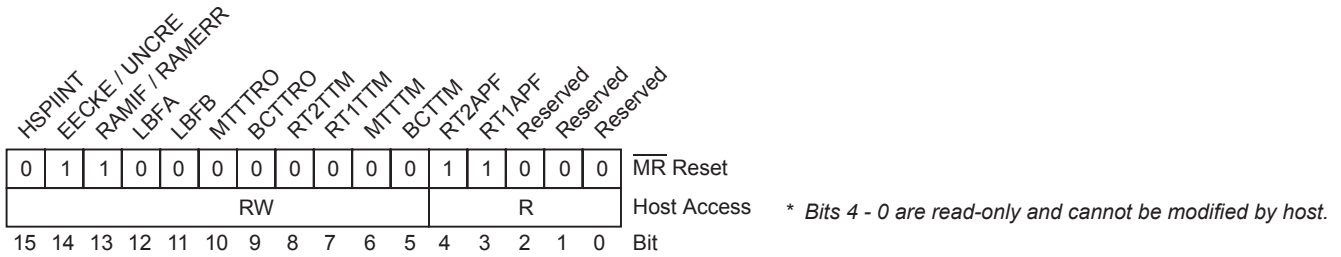
HI-6130, HI-6131

0x01BF	INTERRUPT 32	Interrupt Address Word	← The Interrupt Log Address Register points to this address after Interrupt 31 event occurs. Upon Interrupt 32 completion, device logic reinitializes the log address pointer to 0x0180 before Interrupt 33 is processed.
0x01BE	INTERRUPT 32	Interrupt Information Word	
0x01BD	INTERRUPT 31	Interrupt Address Word	
0x01BC	INTERRUPT 31	Interrupt Information Word	
0x01BB	INTERRUPT 30	Interrupt Address Word	
0x01BA	INTERRUPT 30	Interrupt Information Word	
0x01B9	INTERRUPT 29	Interrupt Address Word	
0x01B8	INTERRUPT 29	Interrupt Information Word	
0x01B7	INTERRUPT 28	Interrupt Address Word	
0x01B6	INTERRUPT 28	Interrupt Information Word	
0x01B5	INTERRUPT 27	Interrupt Address Word	
0x01B4	INTERRUPT 27	Interrupt Information Word	
	.		
	.		
	.		
	.		
	.		
	.		
	.		
	.		
0x018B	INTERRUPT 6	Interrupt Address Word	
0x018A	INTERRUPT 6	Interrupt Information Word	
0x0189	INTERRUPT 5	Interrupt Address Word	
0x0188	INTERRUPT 5	Interrupt Information Word	
0x0187	INTERRUPT 4	Interrupt Address Word	
0x0186	INTERRUPT 4	Interrupt Information Word	
0x0185	INTERRUPT 3	Interrupt Address Word	
0x0184	INTERRUPT 3	Interrupt Information Word	
0x0183	INTERRUPT 2	Interrupt Address Word	
0x0182	INTERRUPT 2	Interrupt Information Word	
0x0181	INTERRUPT 1	Interrupt Address Word	← Interrupt Log Address Register is initialized by device logic to point to this address after hardware reset (MR) or software reset
0x0180	INTERRUPT 1	Interrupt Information Word	

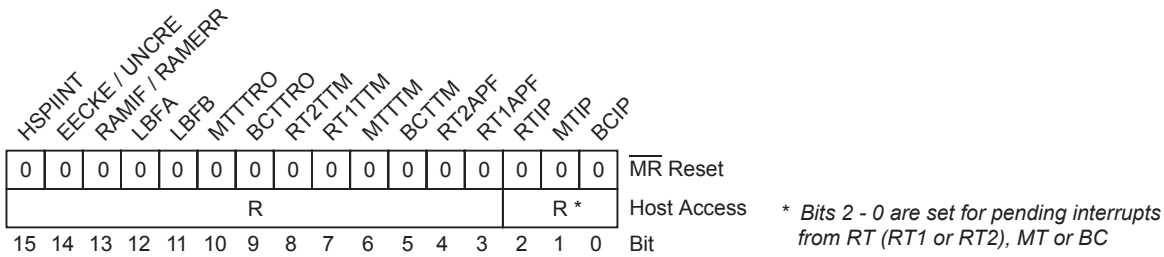
Figure 3. Fixed Address Mapping for Interrupt Log Buffer

9.7. Hardware Interrupt Registers

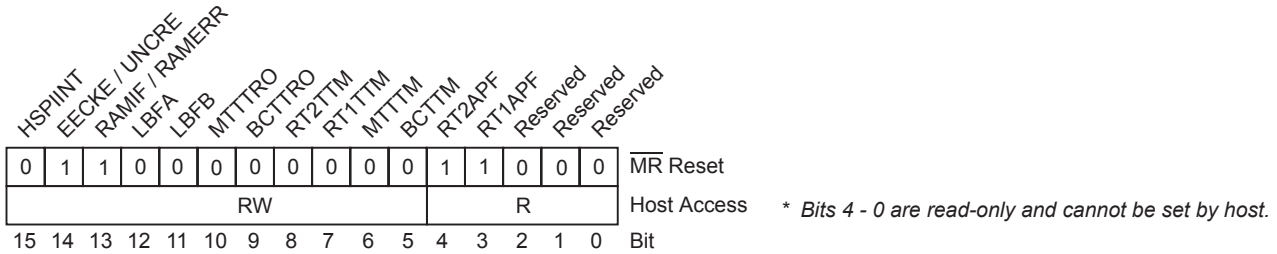
9.7.1. Hardware Interrupt Enable Register (0x000F)



9.7.2. Hardware Pending Interrupt Register (0x0006)



9.7.3. Hardware Interrupt Output Enable Register (0x0013)



These three registers govern hardware interrupt behavior. As explained earlier, bits 2-0 in the Hardware Pending Interrupt Register are set whenever interrupt bits are set in the other three pending interrupt registers (RT, MT and BC). The table below first describes the common bits 15-3 in all three registers and then describes register-to-register differences for bits 2-0.

Bit No.	Mnemonic	R/W	Reset	Function
15	HSPiINT	R/W	0	Host SPI Interrupt. This bit only applies to HI-6131 with SPI host interface, which operates in SPI Slave mode. An unexpected number of SCK clock pulses occurred during a SPI transaction.

HI-6130, HI-6131

<i>Bit No.</i>	<i>Mnemonic</i>	<i>R/W</i>	<i>Reset</i>	<i>Function</i>
14	EECKE	R/W	1	<p>EEPROM Checksum Error Interrupt.</p> <p>This function only applies when the RAMEDC input pin is logic 0 and the AUTOEN input pin is logic 1 at rising edge of \overline{MR} Master Reset. This enables auto-initialization from serial EEPROM, as well as RT or MT soft reset with auto-initialization. This bit is logic 1 in the Hardware Interrupt Enable Register and in the Hardware Interrupt Output Enable Register after \overline{MR} master reset.</p> <p>The EECKE bit is set in the Hardware Pending Interrupt Register (as well as bit 1 in the Master Status and Reset Register, 0x0001) when a serial EEPROM checksum failure occurs during auto initialization, or execution of a partial reset caused by assertion of the RT1RESET, RT2RESET or MTRESET bits in the Master Status and Reset Register, 0x0001.</p> <p>Register bit 14 has a secondary function when input pin RAMEDC is connected to logic 1. When the RAMEDC pin is high, the available RAM address space is reduced from 32K words to 24K words, but error detection and correction (EDC) is performed after every RAM address read cycle.</p>
	UNCRE			<p>Uncorrected 24K RAM Error.</p> <p>This function only applies when the device RAMEDC input pin is connected high, configuring the device for 24K RAM with EDC enabled. The device automatically corrects single-bit errors, but multiple-bit errors are not correctable.</p> <p>When an uncorrectable RAM data error is detected, UNCRE is set to logic 1.</p> <p>When bit 14 is asserted in the Hardware Pending Interrupt Register 0x0009, the host can distinguish an EECKE interrupt from a UNCRE interrupt by reading the Master Status and Reset Register 0x0001. EECKE bit 1 in that register will be logic 1 for EECKE interrupt, logic 0 for UNCRE interrupt.</p>

HI-6130, HI-6131

Bit No.	Mnemonic	R/W	Reset	Function
13	RAMIF	R/W	1	<p>RAM Initialization Fail Interrupt.</p> <p>This function only applies when the RAMEDC input pin is logic 0 and the AUTOEN input pin is logic 1 at rising edge of \overline{MR} Master Reset. This enables auto-initialization from serial EEPROM, as well as RT or MT soft reset with auto-initialization. This bit is logic 1 in the Hardware Interrupt Enable Register and in the Hardware Interrupt Output Enable Register after \overline{MR} master reset.</p> <p>The RAMIF bit is set in the Hardware Pending Interrupt Register (as well as bit 0 in the Master Status and Reset Register, 0x0001) when one or more initialized RAM locations do not match their two corresponding serial EEPROM byte locations. Such failure occurs during auto initialization, or execution of a partial reset caused by assertion of the RT1RESET, RT2RESET or MTRESET bits in the Master Status and Reset Register, 0x0001.</p> <p>Register bit 13 has a secondary function when input pin RAMEDC is connected to logic 1. When the RAMEDC pin is high, the available RAM address space is reduced from 32K words to 24K words, but error detection and correction (EDC) is performed after every RAM address read cycle.</p>
	RAMERR			<p>Detected and Corrected 24K RAM Error.</p> <p>This function only applies when the device RAMEDC input pin is connected high, configuring the device for 24K RAM with EDC enabled. Single-bit errors are automatically corrected by the device, but multiple-bit errors are not correctable.</p> <p>When a single-bit RAM data error is detected and corrected, RAMERR is set to logic 1.</p> <p>When bit 13 is asserted in the Hardware Pending Interrupt Register 0x0009, the host can distinguish a RAMIF interrupt from a RAMERR interrupt by reading the Master Status and Reset Register 0x0001. RAMIF bit 0 in that register will be logic 1 for RAMIF interrupt, logic 0 for RAMERR interrupt.</p>
12 11	LBFA LBFB	R/W	0	<p>Loopback Fail Bus A Interrupt (LBFA) – Valid only for RT</p> <p>Loopback Fail Bus B Interrupt (LBFB) – Valid only for RT</p> <p>For all words transmitted by the RT, the device checks MIL-STD-1553 word validity for the subsequently received/decoded word detected on the bus. This includes sync, encoding, bit count and parity checking. The last word in each message transmitted by the RT is also checked for data matching.</p> <p>The LBFA bit is set each time loop-back detects an invalid or mismatched word on Bus A. The LBFB bit is set each time loop-back detects an invalid or mismatched word on Bus B.</p> <p>NOTE: Once LBFA or LBFB are set by a loopback failure on Bus A or Bus B respectively, they remain set (persistent) until cleared by reading the “Hardware Pending Interrupt Register (0x0006)”.</p>

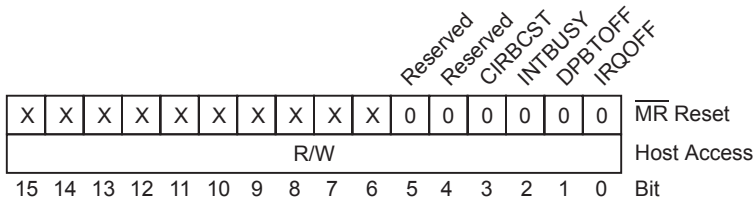
HI-6130, HI-6131

Bit No.	Mnemonic	R/W	Reset	Function
10	MTTTR0	R/W	0	MT Time Tag Counter Rollover. The Bus Monitor time tag counter rolled over from full count to zero. Depending on options selected in the Time Tag Configuration Register, the MT time count may be either 16 or 48 bits.
9	BCTTRO	R/W	0	BC Time Tag Counter Rollover. The Bus Controller time tag counter rolled over from full count to zero. Depending on options selected in the Time Tag Configuration Register, the BC time count may be either 16 or 32 bits.
8	RT2TTM	R/W	0	RT2 Time Tag Match. The 16-bit Remote Terminal 2 time tag counter incremented to a count matching the contained value in the RT2 Time Tag Reload / Match Register.
7	RT1TTM	R/W	0	RT1 Time Tag Match. The 16-bit Remote Terminal 1 time tag counter incremented to a count matching the contained value in the RT1 Time Tag Reload / Match Register.
6	MTTTM	R/W	0	MT Time Tag Match. The Bus Monitor time tag counter incremented to a count matching the contained value in the MT Time Tag Match Registers.
5	BCTTM	R/W	0	BC Time Tag Match. The Bus Controller time tag counter incremented to a count matching the contained value in the BC Time Tag Match Register(s).
4	RT2APF	R	1	RT2 Terminal Address Parity Fail Interrupt. The Remote Terminal address and parity bits (latched into the RT2 Operational Status Register at rising edge of \overline{MR}) do not exhibit odd parity (do not have an odd number of bits having logic 1 state). Note: RT2 address parity is only checked if the RT2ENA pin is logic 1 at rising edge of \overline{MR} .
3	RT1APF	R	1	RT1 Terminal Address Parity Fail Interrupt. The Remote Terminal address and parity bits (latched into the RT1 Operational Status Register at rising edge of \overline{MR}) do not exhibit odd parity (do not have an odd number of bits having logic 1 state). Note: RT1 address parity is only checked if the RT1ENA pin is logic 1 at rising edge of \overline{MR} .
For the Hardware Interrupt Enable Register and the Hardware Interrupt Output Enable Register only				
2 – 0	Reserved			Bits 2-0 cannot be written and read back 000.
For the Hardware Pending Interrupt Register only				
2	RTIP	R	0	RT Interrupt Pending. When this bit is high, one or more bits are set in the RT Pending Interrupt Register. The host can read that register (0x0009) to determine the RT1 or RT2 interrupt event(s).

HI-6130, HI-6131

Bit No.	Mnemonic	R/W	Reset	Function
1	MTIP	R	0	MT Interrupt Pending. When this bit is high, one or more bits are set in the MT Pending Interrupt Register. The host can read that register (0x0008) to determine the MT interrupt event(s).
0	BCIP	R	0	BC Interrupt Pending. When this bit is high, one or more bits are set in the BC Pending Interrupt Register. The host can read that register (0x0007) to determine the BC interrupt event(s).

9.8. Extended Configuration Register (0x004D)



This register contains four bits which provide global options for RT1 or RT2 operation.

Bit No.	Mnemonic	Function
15 – 6	-----	Not Used.
5 – 4	Reserved	Do not use. Setting these bits may cause unpredictable behavior.
3	CIRBCST	Circular Buffer Mode Gap Error / Broadcast Flag. When CIRBCST = 0, bit 13 GAP/BCAST in Receive and Transmit “Subaddress Message Information Words” on page 193 and Receive and Transmit “Mode Command Message Information Words” on page 197 is a Gap Error flag . When CIRBCST = 1, bit 13 GAP/BCAST in Receive and Transmit “Subaddress Message Information Words” on page 193 and Receive and Transmit “Mode Command Message Information Words” on page 197 is a Broadcast flag .

HI-6130, HI-6131

<i>Bit No.</i>	<i>Mnemonic</i>	<i>Function</i>
2	INTBUSY	<p>Report terminal Busy status for RT message interrupts; set WASBUSY flag bit 9 in log buffer Interrupt Identification Word. See “Interrupt Log Buffer” on page 41.</p> <p>Setting INTBUSY = 1 causes the WASBUSY status bit 9 to be set in the RT Interrupt Identification Word (IIW) when an enabled interrupt event occurs with RT Busy status. Therefore, RT subaddresses or mode codes with enabled message interrupts can optionally report when Busy status applied during those events. For example, assume the RT1 Rx subaddress 1 Interrupt When Accessed event (IWA) is enabled. If RT1 subaddress 1 sees a legal, valid receive message but the RT is Busy, the IWA and WASBUSY flags are both set in the Interrupt Log Buffer’s written Interrupt Identification Word. If RT is not Busy, only the IWA flag is set in the written IIW.</p> <p>When INTBUSY is reset, terminal Busy status for interrupts is not reported; the WASBUSY status bit in the logged RT Interrupt Identification Word is always 0.</p> <p>Note 1: The Interrupt Log Buffer is updated only when enabled interrupt events occur. By itself, RT Busy status is not an interrupt-causing event.</p> <p>Note 2: INTBUSY bit 2 does not affect the “Remote Terminal (RT) Pending Interrupt Register (0x0009)” on page 166; register bit 9 is reserved. Only WASBUSY bit 9 in the Interrupt Log Buffer Interrupt Identification Word (IIW) is affected.</p>

HI-6130, HI-6131

Bit No.	Mnemonic	Function
1	DPBTOFF	<p>Disable ping pong DPB pointer toggle when the received valid command is illegal, or when a message occurs with Busy status.</p> <p>When using ping pong buffers, the DPB buffer pointer never toggles for valid, legal messages ending in error. Setting DPBTOFF = 1 also disables ping pong DPB pointer toggle when the received valid command is illegal, or when a message occurs with Busy status.</p> <p>For RT subaddresses using ping pong data buffers (see “Ping-Pong Data Buffering” on page 201), the device alternates message data storage between Data Buffer A and Data Buffer B, on a message-by-message basis. The Descriptor Table Control Word DPB bit 10 indicates the data buffer to be used by the next-occurring message to this subaddress (see Section “19.4. Descriptor Table” on page 176). When the DPB bit is logic 0, the next message uses Data Buffer A; when DPB is logic 1, the next message uses Data Buffer B.</p> <p>Set DPBTOFF = 1 to prevent toggle of the Control Word DPB bit for Illegal or RT Busy messages, as well as valid, legal messages ending in error. The DPB pointer therefore remains static until the next successful message is received, which overwrites the Message Information Word and Time Tag Word in the current ping pong buffer location.</p> <p>Note that receive and transmit subaddresses may have both legal and illegal word counts, dictated by the Command Illegalization Table. For such subaddresses, DPB toggle only occurs when a supported legal word count message is transacted.</p> <p>When the DPBTOFF option bit is set to modify behavior for ping pong buffers, DPB toggle is disabled for valid messages that are illegal, or legal messages resulting in RT Busy or Message Error status. Important note: message data words in the “next-used” (designated active) buffer are NOT altered for incomplete (illegal, Message Error or RT Busy) messages. However the buffer Message Information and Time Tag Words are updated in that message data buffer so the host can detect when such messages occur. Bits 10:8 in the buffer Message Information Word indicate Message Error, Busy and/or Illegal status. When any of these 3 bits are set, the accompanying data should always be disregarded (whether or not the DPBTOFF option is used).</p> <p>To maintain data integrity, the primary benefit of DPBTOFF = 1 is that the complemented DPB pointer always indicates the last-transacted “good” data set. For example if DPB is logic 0, the last successful message used Data Buffer B.</p> <p>The default condition after power-on reset in register 0x4D contains 0x0000. Thus configuration bit DPBTOFF is logic-0. For this case, the Control Word DPB bit toggles after completion of error-free messages (expected), but also illegal commands and messages resulting in Message Error or Busy status.</p>

HI-6130, HI-6131

Bit No.	Mnemonic	Function
0	IRQOFF	<p>Suppress $\overline{\text{IRQ}}$ interrupt pin assertion for enabled RT message interrupts when the command is illegal or the message results in RT Busy status.</p> <p>RT Interrupt Registers are described on page 166. Globally enable RT interrupt types (MERR, IWA, IBR) by setting bits in the “Remote Terminal (RT) Interrupt Enable Register (0x0012)”. Enable these interrupts for individual receive or transmit subaddresses (or mode commands) by setting bits in their Descriptor Table Control Words. When an enabled RT interrupt event occurs, the corresponding “type” bit is set in the “Remote Terminal (RT) Pending Interrupt Register (0x0009)” and “Interrupt Log Buffer” on page 41 is updated. In addition, the $\overline{\text{IRQ}}$ output pin is normally asserted (low) if the corresponding bit is also set in the “Remote Terminal (RT) Interrupt Output Enable Register (0x0016)”. This IRQOFF option bit modifies interrupt output behavior.</p> <p>The IRQOFF option bit prevents nuisance $\overline{\text{IRQ}}$ pin assertion when the command is illegal or when the message occurs with RT Busy status. Note that receive and transmit subaddresses may have both legal and illegal word counts, dictated by the Command Illegalization Table. For such subaddresses, an interrupt is only generated when a supported legal word count message is transacted.</p>

9.9. Time Tag Counter Configuration

Each device (RT1, RT2, BC or MT) has an independent time tag counter used for time-stamping messages. The two remote terminals RT1 and RT2 have independent 16-bit time tag counters because each RT needs independent count reset and “synchronization” loading. In the Time Tag Counter Configuration Register, bits 2-0 select the clock source for both of the RT1 and RT2 time tag counters. The same clock source is shared by the Bus Controller. The host controls the free-running RT1 and RT2 time tag counters using bit pairs 11-10 (RT2) or 9-8 (RT1) in the Time Tag Counter Configuration Register. Here is a summary of host-initiated operations involving the RT time tag counters:

- a. Clearing the 16-bit RT1 or RT2 time tag count to 0x0000.
- b. Copying the RT1 or RT2 Time Tag Utility Register value into the 16-bit RT1 or RT2 time tag counter.
- c. Copying the current 16-bit RT1 or RT2 time tag count value into the RT1 or RT2 Time Tag Utility Register.

The bus controller (BC) can operate using either a 16- or 32-bit time tag counter, selected using register bit 3, BCTT32, in the Time Tag Counter Configuration Register. The BC time tag counter clock source is selected using register bits 2-0. This common clock source is shared by the BC, RT1 and RT2. Bit pair 13-12 is used for clearing BC time tag counter, loading the counter with a 16- or 32-bit value contained in the BC Time Tag Utility Register(s), or writing the current 16- or 32-bit BC time tag counter value to the BC Time Tag Utility Register(s).

The free-running BC time tag counter can be reset to zero, loaded with an arbitrary value, or the current count can be captured. In 32-bit time tag mode, the full count is captured by simultaneously loading two utility registers. Writing bits 13-12 in the Time Tag Counter Configuration Register initiates these operations. Here is a summary of host-initiated operations involving the BC time tag counter:

- a. Clearing a 16- or 32-bit BC time tag count, whichever is enabled.
- b. When 16-bit BC time tag count is enabled,
 - loading the 16-bit BC time tag counter with the 16-bit value contained in the BC Time Tag Utility Register Low
 - capturing the current 16-bit BC time tag counter value to the BC Time Tag Utility Register Low
- c. When 32-bit BC time tag count is enabled,
 - loading the 32-bit BC time tag counter with the 32-bit value contained in the BC Time Tag Utility Low / High

HI-6130, HI-6131

Register pair

- capturing the current 32-bit BC time tag counter value to the BC Time Tag Utility Low / High Register pair

The bus monitor (MT) can operate using either a 16- or 48-bit time tag counter, selected using MT Configuration Register bits 1-0. When using 16-bit resolution, one register is adequate for holding time tag values. When using 48-bit time tag count resolution, three 16-bit registers are needed for each stored time tag count. The MT time tag counter clock source is selected using bits 7-5 in the Time Tag Counter Configuration Register, 0x0039. The MT time tag clock source is separate from the source shared by the BC, RT1 and RT2.

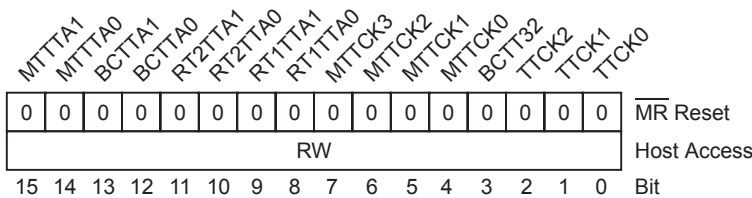
The free-running MT time tag counter can be reset to zero, loaded with an arbitrary value, or the current count can be captured. In 48-bit time tag mode, the full count is captured by simultaneously loading three utility registers. Writing bits 15-14 in the Time Tag Counter Configuration Register 0x0039 initiates these operations.

Here is a summary of host-initiated operations involving the SMT / IMT time tag counter:

- a. Clearing a 16- or 48-bit MT time tag count, whichever is enabled.
- b. When 16-bit MT time tag count is enabled,
 - loading the 16-bit MT time tag counter with the 16-bit value contained in the MT Time Tag Utility Register Low
 - capturing the current 16-bit MT time tag counter value to the MT Time Tag Utility Register Low
- c. When 48-bit MT time tag count is enabled,
 - loading the 48-bit MT time tag counter with the 48-bit value contained in the MT Time Tag Utility Low / Mid / High Register triplet
 - capturing the current 48-bit MT time tag counter value to the MT Time Tag Utility Low / Mid / High Register triplet when 48-bit MT time tag count is enabled

Host interrupts can be generated when any of the four time tag counters in the device reach preset values contained in Time Tag Match registers. Refer to the Section 9.3.

9.10. Time Tag Counter Configuration Register (0x0039)



This 16-bit read-write register is cleared after $\overline{\text{MR}}$ pin master reset, but is unaffected by assertion of MTRESET, RT1RESET or RT2RESET register bits.

When written, register bits 15-8 work in pairs to initiate a particular action, such as clearing or loading one of these counters. When written, register bits 15-8 self reset to zero after initiating the assigned action. Thus, bits 15-8 always read logic 0. Register bits 7-0 are used for configuring the various time tag counters in the HI-613x device. These bits will read back the last value written by the host.

HI-6130, HI-6131

Bit No.	Mnemonic	R/W	Reset	Function												
15 14	MTTTA1 MTTTA0	R/W	0	<p>MT Time Tag Action Bits 1-0.</p> <p>After performing the action below, these host-written bits self reset to 00:</p> <table border="1" style="width: 100%; border-collapse: collapse;"> <thead> <tr> <th style="text-align: center;">Bits 15-14</th> <th style="text-align: left;">Action</th> </tr> </thead> <tbody> <tr> <td style="text-align: center;">00</td> <td>Do Nothing.</td> </tr> <tr> <td style="text-align: center;">01</td> <td>Reset 16- or 48-bit MT Time Tag count to zero.</td> </tr> <tr> <td style="text-align: center;">10</td> <td>Load the 16- or 48-bit value from SMT / IMT Time Tag Utility Register(s) into the SMT / IMT Time Tag Count register(s).</td> </tr> <tr> <td style="text-align: center;">11</td> <td>Capture current 16- or 48-bit value in the SMT / IMT Time Tag Count Register(s) into the SMT / IMT Time Tag Utility Register(s).</td> </tr> </tbody> </table>	Bits 15-14	Action	00	Do Nothing.	01	Reset 16- or 48-bit MT Time Tag count to zero.	10	Load the 16- or 48-bit value from SMT / IMT Time Tag Utility Register(s) into the SMT / IMT Time Tag Count register(s).	11	Capture current 16- or 48-bit value in the SMT / IMT Time Tag Count Register(s) into the SMT / IMT Time Tag Utility Register(s).		
				Bits 15-14	Action											
				00	Do Nothing.											
				01	Reset 16- or 48-bit MT Time Tag count to zero.											
				10	Load the 16- or 48-bit value from SMT / IMT Time Tag Utility Register(s) into the SMT / IMT Time Tag Count register(s).											
				11	Capture current 16- or 48-bit value in the SMT / IMT Time Tag Count Register(s) into the SMT / IMT Time Tag Utility Register(s).											
				<p>If the MT is using 16-bit time tag, the SMT / IMT Time Tag Counter uses a single register address, 0x003A. The SMT / IMT Time Tag Utility Register Low used for the load and capture operations is register address 0x003D.</p>												
				<p>If the MT is using 48-bit time tag, the SMT / IMT Time Tag Counter uses three register addresses. The High-Mid-Low words are found at 0x003C, 0x003B and 0x003A. The SMT / IMT Time Tag Utility Register Triplet used for the load and capture operations is located at register addresses 0x003F (High), 0x003E (Mid) and 0x003D (Low).</p>												
				<p>Bits 1-0 in the MT Configuration Register, 0x0029 select IRIG-106 monitor, IMT (always 48-bit time tag counting), or simple monitor, SMT, (choice of 16-bit or 48-bit time tag counting):</p> <table border="1" style="width: 100%; border-collapse: collapse;"> <thead> <tr> <th style="text-align: center;">MT Configuration Register, bits 1-0</th> <th style="text-align: center;">MT Operation</th> <th style="text-align: center;">Time Tag Mode</th> </tr> </thead> <tbody> <tr> <td style="text-align: center;">00 or 10</td> <td>IMT (IRIG-106) monitor mode</td> <td style="text-align: center;">48-bit time tag</td> </tr> <tr> <td style="text-align: center;">01</td> <td>SMT (simple) monitor mode</td> <td style="text-align: center;">16-bit time tag</td> </tr> <tr> <td style="text-align: center;">11</td> <td>SMT (simple) monitor mode</td> <td style="text-align: center;">48-bit time tag</td> </tr> </tbody> </table>	MT Configuration Register, bits 1-0	MT Operation	Time Tag Mode	00 or 10	IMT (IRIG-106) monitor mode	48-bit time tag	01	SMT (simple) monitor mode	16-bit time tag	11	SMT (simple) monitor mode	48-bit time tag
				MT Configuration Register, bits 1-0	MT Operation	Time Tag Mode										
00 or 10	IMT (IRIG-106) monitor mode	48-bit time tag														
01	SMT (simple) monitor mode	16-bit time tag														
11	SMT (simple) monitor mode	48-bit time tag														
<p>When the MT is operating in Simple mode with 48-bit time tag, the recorded Command Buffer entry for each 1553 message has eight 16-bit words. When operating with 16-bit time tag, the recorded Command Buffer entry for each 1553 message has four 16-bit words.</p>																

HI-6130, HI-6131

Bit No.	Mnemonic	R/W	Reset	Function	
13 12	BCTTA1 BCTTA0	R/W	0	BC Time Tag Action Bits 1-0. After performing the action below, these host-written bits self reset to 00:	
				Bits 13-12	Action
				00	Do Nothing.
				01	Reset 16- or 32-bit BC Time Tag count to zero.
				10	Load the 16- or 32-bit value from BC Time Tag Utility Register(s) into the BC Time Tag Count register(s).
11	Capture current 16- or 48-bit value in the SMT Time Tag Count Register(s) into the SMT Time Tag Utility Register(s).				
				<p>If BCTT32 register bit 3 equals 0, the BC is using 16-bit time tag. The BC Time Tag Counter uses a single register address, 0x0043. The BC Time Tag Utility Register used for these operations is register address 0x0045.</p> <p>If BCTT32 register bit 3 equals 1 the BC is using 32-bit time tagging, so the BC Time Tag Counter requires two 16-bit register addresses. The High and Low BC time tag counter words are found at 0x0044 and 0x0043 respectively. The pair of BC Time Tag Utility Registers used for timer operations is located at register addresses 0x0046 (High word) and 0x0045 (Low word).</p>	
11 10	RT2TTA1 RT2TTA0	R/W	0	RT2 Time Tag Action Bits 1-0. After performing the RT2 time tag counter action below, these host-written bits self reset to 00:	
				Bits 11-10	Action
				00 or 11	Do Nothing.
				01	Reset 16-bit RT2 Time Tag count to zero.
10	Load the 16-bit value from the RT2 Time Tag Utility Register 0x004C into the RT2 Time Tag Counter 0x004B.				
9 8	RT1TTA1 RT1TTA0	R/W	0	RT1 Time Tag Action Bits 1-0. After performing the RT1 time tag counter action below, these host-written bits self reset to 00:	
				Bits 9-8	Action
				00 or 11	Do Nothing.
				01	Reset 16-bit RT1 Time Tag count to zero.
10	Load the 16-bit value from the RT1 Time Tag Utility Register 0x004A into the RT1 Time Tag Counter 0x0049.				

HI-6130, HI-6131

<i>Bit No.</i>	<i>Mnemonic</i>	<i>R/W</i>	<i>Reset</i>	<i>Function</i>
7 6 5 4	MTTCK3 MTTCK2 MTTCK1 MTTCK0	R/W	0	MT Time Tag Clock Selection Bits 7-4. These four bits select the clock source for the MT Time Tag Counters from the following options:
				<i>Bits 7-6-5-4</i>
				0-0-0-0 Time Tag Counter Disabled. 0-0-0-1 External clock provided at the MTTCLK input pin. 0-0-1-0 Internally generated 2μs clock. 0-0-1-1 Internally generated 4μs clock. 0-1-0-0 Internally generated 8μs clock. 0-1-0-1 Internally generated 16μs clock. 0-1-1-0 Internally generated 32μs clock. 0-1-1-1 Internally generated 64μs clock. 1-x-x-x Internally generated 100ns clock.
3	BCTT32	R/W	0	BC Time Tag 32-Bit Count Enable. When the BCTT32 bit equals 0, the BC time tag counter is 16 bits. When the BCTT32 bit equals 1, the BC time tag counter is 32 bits.
2 1 0	TTCK2 TTCK1 TTCK0	R/W	0	BC and RT Time Tag Clock Selection Bits 2-0. These three bits select the clock source for the BC, RT1 and RT2 Time Tag Counters from the following options:
				<i>Bits 2-1-0</i>
				0-0-0 Time Tag Counter Disabled. 0-0-1 External clock provided at TTCLK input pin. 0-1-0 Internally generated 2μs clock. 0-1-1 Internally generated 4μs clock. 1-0-0 Internally generated 8μs clock. 1-0-1 Internally generated 16μs clock. 1-1-0 Internally generated 32μs clock. 1-1-1 Internally generated 64μs clock.

9.11. Memory Address Pointer Registers (HI-6131 only)

This section only applies for the HI-6131 with SPI host interface. It does not apply to the HI-6130 with parallel bus interface.

The HI-6131 SPI uses predefined 8-bit instruction op codes to perform a variety of predetermined actions. Some op codes must be followed by two or more operand bytes, while other SPI codes perform their desired action without additional operands. Examples of self-contained SPI op codes include the “Fast access” op codes used for reading or writing registers at the low end of the address space.

“Fast access” op codes used for direct addressing contain embedded register addresses, but only work over a limited address range.

- SPI reads to register addresses 0 through 0x000F (decimal 15) use an 8-bit op code of the form **0x00 + (Reg_Addr << 2)** where Reg_Addr = 0 to 0xF before left-shifting two bits.
- SPI writes to register addresses 0 through 0x003F (decimal 63) use an 8-bit op code of the form **0x80 + Reg_Addr** where Reg_Addr equals 0 to 0x3F.

The two “fast access” op codes use a dedicated memory address pointer to perform their duties without affecting values contained in other Memory Address Pointer registers. The “fast access” Memory Address Pointer cannot be read by the host, but is written each time a “fast access” op code is processed.

The HI-6131 uses a Memory Address Pointer for SPI reads to register addresses over 0x000F, or for SPI writes to register addresses over 0x003F. For most SPI read and write operations, the starting memory address for the requested operation is written to the Memory Address Pointer (or MAP) before the op code (using the MAP) is invoked.

In the case of a multiword data transfer involving a range of sequential addresses, the memory address pointer is initialized with the starting (lowest) address. After the SPI transfers data from the first address, the memory address pointer automatically increments to the next address. When read access occurs, the device prefetches the data stored at the next address to support the fastest possible data rates. As long as the chip select stays low (asserted) and the SPI master continues to provide serial clocks, data read/write transfers for sequential addresses continue until the chip select is negated. Please refer to Section 25.2, describing SPI host access and the SPI op codes used for data transfer.

For flexibility in configuring the HI-6131 device, four independent Memory Address Pointers are available. These can be assigned in any manner that supports application requirements. For example:

- To simplify data access while supporting concurrent terminal devices (BC, MT, RT1 and RT2), some devices may need a dedicated Memory Address Pointer (MAP) while other devices may be able to share a MAP.
- Consider using a dedicated Memory Address Pointer for interrupt service routines. Many SPI operations are multiword transfers that utilize the Memory Address Pointer auto-increment feature. If interrupts are enabled during multiword transfers, a dedicated Memory Address Pointer for the interrupt service routine avoids corruption of the MAP used by the interrupted routine.

Residing in the lower register address space, the four Memory Address Pointers can be read or written with a single 8-bit “fast access” op code (plus the desired 16-bit data value, when writing).

Just one of the four MAP registers is enabled at any time. Each of the four Memory Address Pointers has a dedicated 8-bit “MAP Select” op code that enables it by writing the Master Configuration Register. Or the host can directly write the MAPSEL (Memory Address Pointer select) bits 11-10 in the Master Configuration Register to enable the desired MAP register. Full descriptions of SPI data transfer methods are provided later in this document.

10. BUS CONTROLLER – CONFIGURATION AND OPERATION

The HI-613x can operate as an autonomous MIL-STD-1553 Bus Controller (BC), requiring minimal host processor support. All MIL-STD-1553B error-checking is automatically performed, including RT response time, Manchester II encoding, sync type, bit count, word parity, word count, responding RT address, and detection of the full range of possible error conditions encountered during BC operation. The device implements all MIL-STD-1553B message formats. Message format is configurable on a message by message basis. Each message is individually programmable for command type. Individual messages can be programmed for automatic retries on either bus, and interrupt requests may be enabled or disabled.

The HI-613x Bus Controller provides a flexible means for scheduling major and minor frames, allowing insertion of asynchronous messages during frame execution. Upon error, individual messages can be programmed for one or two automatic retries, and the BC can switch buses before retry occurs. Message data is separated from control and status data, to serve the needs for double buffering in RAM and bulk data transfers.

Before Bus Controller operation can begin, the **BCENA input pin must be connected to logic 1 to allow BC operation**. All Bus Controller operational registers (see Section 11) must be properly configured. The BC Instruction List in RAM must be initialized to define message sequencing and conditional execution, and finally the host must assert BCSTRT bit 13 in the Master Configuration Register 0x0000 to initiate execution of Instruction List op codes. The following pages provide the necessary details for successful Bus Controller operation.

Figure 4 shows the registers and RAM resources utilized by the Bus Controller. All Bus Controller registers are fully described in Section 11.

Initial control of BC message sequencing involves the **BC Instruction List Pointer in register 0x0034**. Before BC execution begins, the instruction list starting address is copied from the BC Instruction List Start Address Register, 0x0033. Once message sequencing is underway, the BC Instruction List Pointer in register 0x0034 is updated by the BC control logic.

The BC Instruction List in RAM comprises a series of 2-word entries, an instruction op code followed by a parameter word. While processing messages, the BC control logic fetches and executes the instruction op code referenced by the BC Instruction List Pointer from the BC Instruction List. The pointer parameter, referencing the first word in the Message Control/Status Block, **must have the form 0xHHH8 or 0xHHH0**, where each H represents a hex character, 0-9 or A-F. **If the individual message is RT-to-RT, the address must have the form 0xHHH0**.

Each op code word in the BC Instruction List has the format:

Odd
Parity

X	X	X	X	X	X	0	1	0	1	0	X	X	X	X	X
P	Op Code Field					Validation Field					Condition Code				
15	14	13	12	11	10	9	8	7	6	5	4	3	2	1	0

Bit

Bus Controller execution stops immediately if the BC logic fetches an op code word having one or more of these error conditions:

- Bit 15 contains even parity
- Bits 14-10 contain an undefined op code
- Validation field bits 9-5 do not equal 01010

If enabled in the BC Interrupt Enable Register 0x0010, a BCTRAP interrupt occurs when execution stops because of an illegal op code.

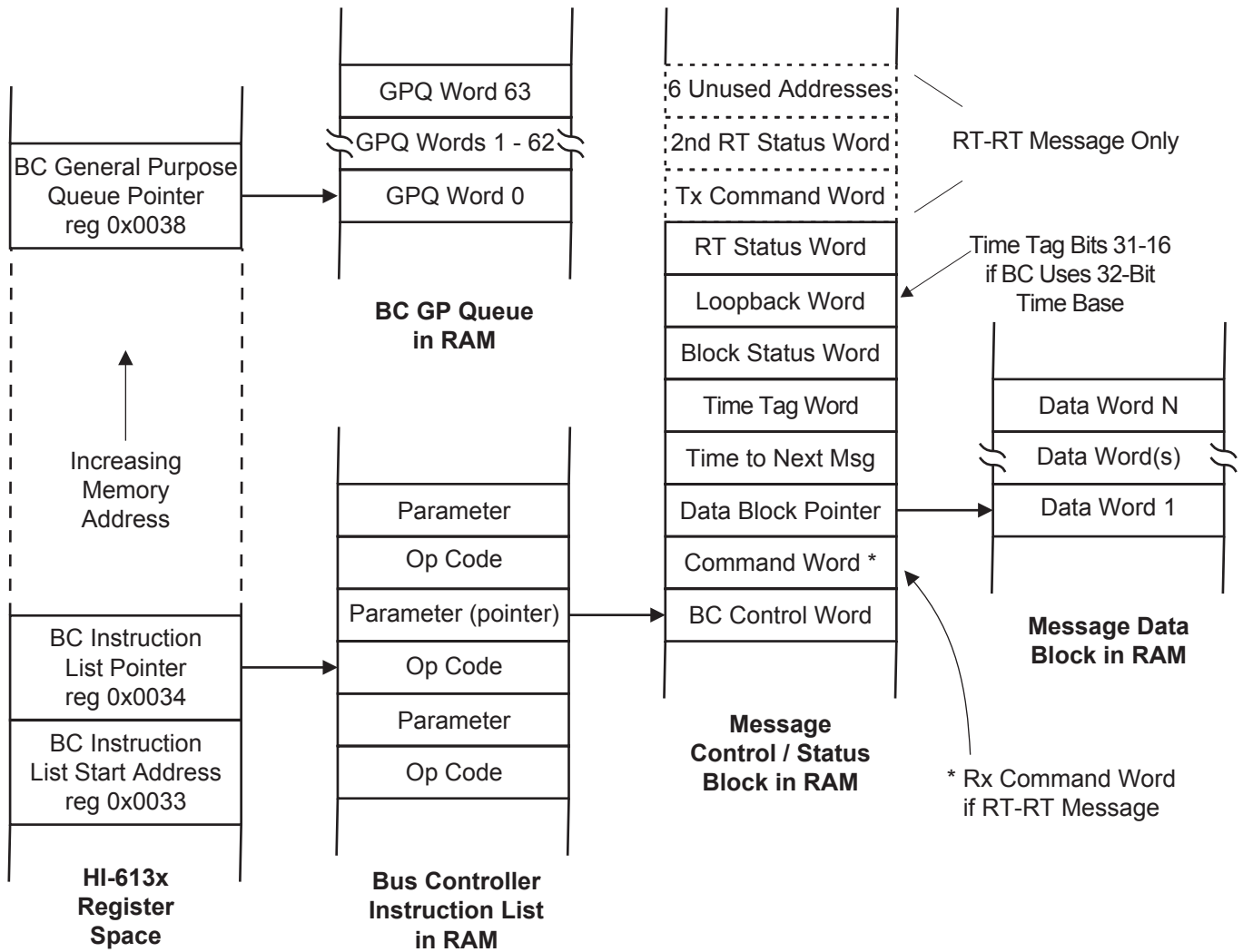


Figure 4. Bus Controller Message Sequence Structures

10.1. Bus Controller Condition Codes

For most op codes, execution is conditional, depending on evaluation of the Condition Code field. Condition Code bits 3-0 define the specific condition. Condition Code bit 4 identifies the required outcome for op code execution, true or false, following evaluation of Condition Code bits 3-0. The host has read-only access to the BC condition codes by reading the BC Condition Code Register 0x0037.

Eight of the condition codes (1000 through 1111) are set or cleared based on the outcome of the most recent message. The remaining eight codes are General Purpose Condition Codes, GP0 through GP7. Three processes affect values of the General Purpose Condition Code bits: (a) they may be toggled, set or cleared when the BC logic executes a FLG (GP Flags Bits) op code. (b) they may be toggled, set or cleared when the host writes the BC General Purpose FLAG Register 0x0037. (c) only GP0 and GP1 may be set or cleared when the BC logic executes a CMT (Compare Message Timer) op code, or a CFT (Compare Frame Timer) op code. The sixteen BC Condition Codes are summarized in Table 8.

HI-6130, HI-6131

Table 8. Bus Controller Condition Code Table

Code Bit 3-0	Condition Code <i>Bit 4 = 0</i>	Inverse <i>Bit 4 = 1</i>	Function
0x0	LT / GP0	GT-EQ / $\overline{GP0}$	Less Than or GP0 Flag. This flag may be toggled, set or cleared when the BC logic executes a FLG (General Purpose Flags Bits) op code, or when the host writes the BC General Purpose Flag Register 0x0037. This flag is also set or cleared based on the evaluation of a CMT (Compare Message Timer) or CFT (Compare Frame Timer) instruction op code:
	LT / GP0 = 1	GT-EQ / $\overline{GP0} = 0$	If CMT parameter < BC Time to Next Message Reg If CFT parameter < BC Frame Time Remaining Reg
	LT / GP0 = 0	GT-EQ / $\overline{GP0} = 1$	If CMT parameter = BC Time to Next Message Reg If CFT parameter = BC Frame Time Remaining Reg
	LT / GP0 = 0	GT-EQ / $\overline{GP0} = 1$	If CMT parameter > BC Time to Next Message Reg If CFT parameter > BC Frame Time Remaining Reg
	LT / GP0 = 1 or 0 based on compared values	GT-EQ / $\overline{GP0} = 0$ or 1 based on compared values	If CMT parameter \neq BC Time to Next Message Reg If CFT parameter \neq BC Frame Time Remaining Reg
0x1	EQ / GP1	NE / $\overline{GP1}$	Equal To or GP1 Flag. This flag may be toggled, set or cleared when the BC logic executes a FLG (General Purpose Flags Bits) op code, or when the host writes the BC General Purpose Flag Register 0x0037. This flag is also set or cleared based on the evaluation of a CMT (Compare Message Timer) or CFT (Compare Frame Timer) instruction op code:
	EQ / GP1 = 0	NE / $\overline{GP1} = 1$	If CMT parameter < BC Time to Next Message Reg If CFT parameter < BC Frame Time Remaining Reg
	EQ / GP1 = 1	NE / $\overline{GP1} = 0$	If CMT parameter = BC Time to Next Message Reg If CFT parameter = BC Frame Time Remaining Reg
	EQ / GP1 = 0	NE / $\overline{GP1} = 1$	If CMT parameter > BC Time to Next Message Reg If CFT parameter > BC Frame Time Remaining Reg
	EQ / GP1 = 0	NE / $\overline{GP1} = 1$	If CMT parameter \neq BC Time to Next Message Reg If CFT parameter \neq BC Frame Time Remaining Reg

HI-6130, HI-6131

Code Bit 3-0	Condition Code <i>Bit 4 = 0</i>	Inverse <i>Bit 4 = 1</i>	Function
0x2	GP2	$\overline{\text{GP2}}$	<p>General Purpose Flag Bits 2-7.</p> <p>These flags may be toggled, set or cleared when the BC logic executes a FLG (General Purpose Flags Bits) op code, or when the host writes the BC General Purpose Flag Register 0x0037.</p>
0x3	GP3	$\overline{\text{GP3}}$	
0x4	GP4	$\overline{\text{GP4}}$	
0x5	GP5	$\overline{\text{GP5}}$	
0x6	GP6	$\overline{\text{GP6}}$	
0x7	GP7	$\overline{\text{GP7}}$	
0x8	NORESP	RESP	<p>No Response Flag.</p> <p>This flag is set when an RT failed to respond to a command, or responded later than the BC No Response Timeout programmed using bits 15-14 in the BC Configuration Register 0x0032.</p>
0x9	FMTERR	$\overline{\text{FMTERR}}$	<p>Format Error Flag.</p> <p>This flag is set when the received response to the last message had one or more violations to MIL-STD-1553B validation criteria, including problems with sync, encoding, bit count, parity, or word count.</p> <p>This flag is also set when the received RT Status Word response from the last message contained an incorrect RT address field.</p>
0xA	GOODBLOCK	$\overline{\text{GOODBLOCK}}$	<p>Good Data Block Transfer.</p> <p>Reflecting status for the last 1553 message, this flag is set after completion of error-free RT-to-BC transfers, RT-to-RT transfers, or transmit mode code commands with data. This flag is reset after invalid messages, or after completion of BC-to-RT transfers, receive mode code commands with data, or mode code commands without data. This flag may be used to determine when the transmit aspect of an RT-to-RT transfer is error-free.</p>
0xB	MSKSTATSET	$\overline{\text{MSKSTATSET}}$	<p>Masked Status Set.</p> <p>Reflecting status for the last 1553 message, this flag is set when one or both of the following conditions occurred:</p> <ul style="list-style-type: none"> • In the message BC Control Word, at least one of the Status Mask bits 14-9 are logic 0, but the corresponding bit or bits are set in the received RT Status Word. When the Reserved Bits Mask (message BC Control Word bit 9) is logic 0, this flag is set when any or all of the three reserved bits are set in the received RT Status Word. • In the BC Configuration Register 0x0032, the BCR (broadcast command received) Mask Enable bit 0 is logic 1. the Mask Broadcast bit 5 in the message BC Control Word is logic 0, and the BCR (Broadcast Command Received) bit 4 is logic 1 in the received RT Status Word.

HI-6130, HI-6131

Code Bit 3-0	Condition Code Bit 4 = 0	Inverse Bit 4 = 1	Function
0xC	BADMSG	GOODMSG	Bad Message. Reflecting status for the last 1553 message, the Bad Message flag is set for Format Error, No Response error, or Loopback error. A Status Set condition has no effect on the Bad Message condition code.
0xD	1RETRY	$\overline{1RETRY}$	1 Retry. If Condition Code bits 3:0 = 0xD and bit 4 = 0, one or two message retries is indicated. If Condition Code bits 3:0 = 0xD and bit 4 = 1, zero message retries is indicated.
0xE	2RETRY	Undefined	2 Retries. If Condition Code bits 3:0 = 0xE and bit 4 = 0, two message retries is indicated. Condition Code bits 3:0 = 0xE and bit 4 = 1 is undefined.
0xF	ALWAYS	NEVER	Always. The ALWAYS bit is set (Condition Code bit 4 = 0) to designate an instruction op code as unconditional. The NEVER bit is set (Condition Code bit 4 = 1) to designate an instruction op code as NOP (no operation).

10.2. Bus Controller Instruction Op Codes

In the BC Instruction List, each op code word contains a 5-bit instruction field that spans bits 14-10. The instruction op codes are described in Table 9. Four instructions execute unconditionally, without evaluating the condition code test. For these instructions, the Condition Code field is “don’t care”.

The four unconditional instruction op codes are:

1. CMT (Compare Message Timer)
2. CFT (Compare Frame Timer)
3. FLG (General Purpose Flag Bits)
4. XQF (execute and Flip)

All other instruction op codes execute conditionally. They execute only if evaluation of the Condition Code tests true, logic 1. If the Condition Code field tests false, the BC Instruction List Pointer skips to the next instruction op code in the BC Instruction List.

Many instruction op codes utilize the following parameter word in the BC Instruction List. Depending on the op code, the parameter may be a RAM address, a time value, an interrupt bit pattern, an argument that sets or clears General Purpose Flag bits, or an immediate value. For some op codes, the parameter word is not used and is therefore “don’t care.” For an XEQ (execute message) instruction, the parameter is a RAM address pointer referencing the start of the message Control/Status Block.

HI-6130, HI-6131

These instructions control program execution: Halt, Jump, Subroutine Call and Subroutine Return. Subroutine calls can be nested 8 levels deep. If BC Call Stack overflow or underflow occurs, device logic generates a CSTKERR (Call Stack Pointer Error) interrupt, if enabled. Other host interrupts are generated under program control using the Interrupt Request instruction. In this case, a 4-bit user-defined interrupt code is written to the BC Interrupt Request Bits 3-0 in the BC Pending Interrupt Register.

Other instructions perform various duties: set, reset or toggle General Purpose Flag bits; load the Time Tag counter; load the Frame Time counter; begin a new BC frame; wait for external trigger, then start a new BC frame; evaluate remaining Frame Time; or evaluate time to next message.

Table 9. Bus Controller Instruction Op Codes

Name	Instruction	Op Code	Parameter	Function
XEQ	Execute Message <i>Conditional</i>	0x01	RAM Address for Message Control/Status Block	<p>If the Condition Code evaluates True, execute the message at the parameter-specified Message Control Status Block address. Otherwise (Condition Code Evaluates False), continue execution at the next op code in the BC Instruction List.</p> <p>At the start of XEQ message execution, if the fourth word in the Message Control/Status Block is nonzero, it is copied to the BC Time to Next Message Register, and message timer begins decrementing. The BC message sequencer does not fetch the next instruction op code until the message timer reaches zero.</p> <p>Regarding Condition Codes used with XEQ:</p> <ul style="list-style-type: none"> • If using LT, GT-EQ, EQ and NE (which are only modified by the device upon completion of CMT or CFT op codes) the host must not change the value of the shared function GP0 or GP1 flag bit during execution of the contingent message. • If using GP Flag Bit status (GP0 through GP7) to enable a message, host must not alter the tested GP Flag bit during execution of a contingent message. • The ALWAYS and NEVER Condition Codes may be used with XEQ. The following Condition Codes must not be used with XEQ: BADMSG, RETRY1 or RETRY2, NORESP, MSKSTATSET, FMTERR or GOODBLOCK.

HI-6130, HI-6131

Name	Instruction	Op Code	Parameter	Function
XQG	Execute Message and Go <i>Conditional</i>	0x16	RAM Address for Message Control/Status Block	<p>If the Condition Code evaluates True, execute the message at the parameter-specified Message Control Status Block address. Otherwise (Condition Code Evaluates False), continue execution at the next op code in the BC Instruction List.</p> <p>Regarding Condition Codes used with XQG:</p> <ul style="list-style-type: none"> • If using LT, GT-EQ, EQ and NE (which are only modified by the device upon completion of CMT or CFT op codes) the host must not change the value of the shared function GP0 or GP1 flag bit during execution of the contingent message. • If using GP Flag Bit status (GP0 through GP7) to enable a message, host must not alter the tested GP Flag bit during execution of a contingent message. • The ALWAYS and NEVER Condition Codes may be used with XQG. The following Condition Codes must not be used with XQG: BADMSG, RETRY1 or RETRY2, NORESP, MSKSTATSET, FMTERR or GOODBLOCK. <p>At the start of XQG message execution, if the fourth (Time to Next Message) word in the Message Control/Status Block is nonzero, it is copied to the BC Time to Next Message Register 0x0036, and this message timer begins countdown. Completion of an XQG message may occur while message timer countdown continues.</p> <p>Unlike XEQ, the XQG op code does not wait for the decrementing message timer to hit 0 before fetching the next instruction op code. As long as op codes following XQG do not execute a 1553 message, each op code is performed after fetch. Upon reaching a following XEQ, XQG, XQF or XFG execute-message instruction, transaction of its 1553 message does not begin until Time to Next Message count reaches 0. Thus, programmed 1553 message timing is maintained, while allowing execution of non-message instruction op codes.</p>
JMP	Jump <i>Conditional</i>	0x02	RAM Address within the BC Instruction List	<p>If the Condition Code evaluates True, jump to the parameter-specified instruction op code in the BC Instruction List. Otherwise (Condition Code Evaluates False), continue execution at the next op code in the BC Instruction List.</p>
CAL	Call Subroutine <i>Conditional</i>	0x03	RAM Address within the BC Instruction List	<p>If the Condition Code evaluates True, push address of the next instruction op code onto the 8-level BC Call Stack, then jump to the parameter-specified instruction op code in the BC Instruction List. Otherwise (Condition Code Evaluates False), continue execution at the next op code in the BC Instruction List.</p>

HI-6130, HI-6131

Name	Instruction	Op Code	Parameter	Function
RTN	Return from Subroutine <i>Conditional</i>	0x04	Not Used (Don't Care)	If the Condition Code evaluates True, pop the top address from the BC Call Stack, then jump to the popped instruction op code address in the BC Instruction List. Otherwise (Condition Code Evaluates False), continue execution at the next op code in the BC Instruction List.
IRQ	Interrupt Request <i>Conditional</i>	0x06	4-Bit Interrupt Pattern, 0x000N	If the Condition Code evaluates True, generate a host interrupt by writing the parameter-specified 4-bit value N to bits 8-5 in the BC Pending Interrupt Register. Otherwise, continue execution at the next op code in the BC Instruction List. Note: no interrupt is generated if N = 0
HLT	Halt <i>Conditional</i>	0x07	Not Used (Don't Care)	If the Condition Code evaluates True, stop execution of the BC Instruction List until a new BC Start is issued by the host. Otherwise (Condition Code Evaluates False), continue execution at the next op code in the BC Instruction List.
DLY	Delay <i>Conditional</i>	0x08	Delay Time Value (1 μ s per LSB resolution)	If the Condition Code evaluates True, initiate a delay equal to the parameter-specified value. Otherwise (Condition Code Evaluates False), continue execution at the next op code in the BC Instruction List. If the Time-to-Next Message counter is in use, the DLY parameter has higher priority than the count for an unfinished Message Timer delay.
WFT	Wait until Frame Timer Equals 0 <i>Conditional</i>	0x09	Not Used (Don't Care)	If the Condition Code evaluates True, stop BC Instruction List execution until the BC Frame Time Counter decrements to 0. Otherwise (Condition Code Evaluates False), continue execution at the next op code in the BC Instruction List.
CFT	Compare to Frame Timer <i>Conditional</i>	0x0A	Time Value (100 μ s / LSB resolution)	Compare the parameter-specified Time Value to the BC Frame Time Remaining Register 0x0035. Set and clear LT and EQ bits 1 and 0 in the BC General Purpose Flag Register (Section 11.7).
CMT	Compare to Message Timer <i>Unconditional</i>	0x0B	Time Value (1 μ s per LSB resolution)	Compare the parameter-specified Time Value to the BC Time to Next Message Register 0x0036. Set and clear LT and EQ bits 1 and 0 in the BC General Purpose Flag Register (Section 11.7). When CMT is preceded by an XEQ or XQF instruction, the BC Time to Next Message Register 0x0036 value used for comparison is always 0x0000 because the message timer (initiated by XEQ or XQF) decrements to zero before fetching the CMP instruction. In this case, a CMT with non-zero parameter word always sets GT-EQ and NE and always resets LT and EQ flags. When CMT is preceded by an XEQ or XQF instruction, a CMT with parameter word 0x0000 always sets GT-EQ and EQ and always resets LT and NE flags. Further, the CMT op code will never set LT and NE, while clearing GT-EQ and EQ flags.

HI-6130, HI-6131

Name	Instruction	Op Code	Parameter	Function
LTT	Load Time Tag Counter <i>Conditional</i>	0x0D	Time Value (Resolution is programmed by bits 2-0 in the Time Tag Counter Configuration Register 0x0039)	If the Condition Code evaluates True, load the BC Time Tag Count Register 0x0043 with the parameter-specified Time Value. This represents bits 15-0 when the BC operates with 32-bit time tag. Otherwise (Condition Code Evaluates False), continue execution at the next op code in the BC Instruction List. Read LTH regarding LTT-LTH sequences.
LTH	Load Time Tag Counter High <i>Conditional</i> LTH only applies when 32-bit time base is enabled	0x18	Time Value (Resolution is programmed by bits 2-0 in the Time Tag Counter Configuration Register 0x0039)	If the Condition Code evaluates True, load the BC Time Tag Count High Register 0x0044 with the parameter-specified Time Value. This represents bits 31-16 when BC operates with 32-bit time tag. Otherwise (Condition Code Evaluates False), continue execution at the next op code in the BC Instruction List. If LTH immediately follows an LTT instruction, all 32 counter bits are loaded simultaneously. If LTH is not preceded by an LTT instruction, time count bits 15-0 in 0x0043 will be cleared to 0x0000 when bits 31-16 are written to register 0x0044. This instruction is only allowed when BCTT32 bit 3 is logic 1 in the Time Tag Counter Configuration register 0x0039, selecting 32-bit time base operation for the BC and RT(s). If BCTT32 is logic 0, this instruction stops instruction list execution, and generates an illegal instruction BCTRAP interrupt, if enabled.
LFT	Load Frame Timer <i>Conditional</i>	0x0E	Time Value (100 μ s / LSB resolution)	If the Condition Code evaluates True, load the BC Frame Time Remaining Register 0x0035 with the parameter-specified Time Value. Otherwise (Condition Code Evaluates False), continue execution at the next op code in the BC Instruction List.
SFT	Start Frame Timer <i>Conditional</i>	0x0F	Not Used (Don't Care)	If the Condition Code evaluates True, start decrementing the BC Frame Time Remaining Register 0x0035. Otherwise (Condition Code Evaluates False), continue execution at the next op code in the BC Instruction List.
PTT	Push Time Tag Count <i>Conditional</i>	0x10	Not Used (Don't Care)	If the Condition Code evaluates True, push the value in the BC Time Tag Count Register 0x0043 onto the BC General Purpose Queue. Otherwise (Condition Code Evaluates False), continue execution at the next op code in the BC Instruction List.

HI-6130, HI-6131

Name	Instruction	Op Code	Parameter	Function
PTH	<p>Push Time Tag Count High</p> <p><i>Conditional</i></p> <p>PTH only applies when 32-bit time base is enabled</p>	0x19	Not Used (Don't Care)	<p>If the Condition Code evaluates True, push the value in the BC Time Tag Count High Register 0x0044 onto the BC General Purpose Queue. This represents bits 31-16 when BC operates with 32-bit time tag. Otherwise (Condition Code Evaluates False), continue execution at the next op code in the BC Instruction List.</p> <p>This instruction is only allowed when BCTT32 bit 3 is logic 1 in the Time Tag Counter Configuration register 0x0039, selecting 32-bit time base operation for the BC and RT(s). If BCTT32 is logic 0, this instruction stops instruction list execution, and generates an illegal instruction BCTRAP interrupt, if enabled.</p>
PTB	<p>Push Time Tag Count Both</p> <p><i>Conditional</i></p> <p>PTB only applies when 32-bit time base is enabled</p>	0x1A	Not Used (Don't Care)	<p>If the Condition Code evaluates True, push the value in the BC Time Tag Count High Register 0x0044 and then push the value in the BC Time Tag Count (Low) Register 0x0043 onto the BC General Purpose Queue. (Both words are fetched simultaneously but pushed serially.) Otherwise (Condition Code Evaluates False), continue execution at the next op code in the BC Instruction List.</p> <p>This instruction is only allowed when BCTT32 bit 3 is logic 1 in the Time Tag Counter Configuration register 0x0039, selecting 32-bit time base operation for the BC and RT(s). If BCTT32 is logic 0, this instruction stops instruction list execution, and generates an illegal instruction BCTRAP interrupt, if enabled.</p>
PBS	<p>Push Block Status Word</p> <p><i>Conditional</i></p>	0x11	Not Used (Don't Care)	<p>If the Condition Code evaluates True, push the value of the Block Status Word from the most recent message onto the BC General Purpose Queue. Otherwise (Condition Code Evaluates False), continue execution at the next op code in the BC Instruction List.</p>
PSI	<p>Push Immediate Value</p> <p><i>Conditional</i></p>	0x12	Immediate Value	<p>If the Condition Code evaluates True, push the parameter-specified immediate value onto the BC General Purpose Queue. Otherwise (Condition Code Evaluates False), continue execution at the next op code in the BC Instruction List.</p>
PSM	<p>Push Indirect</p> <p><i>Conditional</i></p>	0x13	Memory Address	<p>If the Condition Code evaluates True, push the value stored at the parameter-specified address onto the BC General Purpose Queue. Otherwise (Condition Code Evaluates False), continue execution at the next op code in the BC Instruction List.</p>
WTG	<p>Wait for External Trigger</p> <p><i>Conditional</i></p>	0x14	Not Used (Don't Care)	<p>If the Condition Code evaluates True, wait for a rising edge (logic 0 to 1 transition) on the BCTRIG pin before continuing execution at the next op code in the BC Instruction List. Otherwise (Condition Code Evaluates False), continue execution at the next op code in the BC Instruction List.</p>

HI-6130, HI-6131

Name	Instruction	Op Code	Parameter	Function
XQF	Execute and Flip <i>Unconditional</i>	0x15	RAM Address for Message Control/ Status Block	<p>Unconditionally execute the message at the parameter-specified Message Control/Status Block Address. At message completion, if the Condition Code evaluates True, then toggle bit 4 of the Message Control/Status Block Address, and store the new Message Control/Status Block Address as the updated value of the parameter following the XQF instruction op code. As a result, the next time this address in the BC Instruction List is executed, the processed Message Control/ Status Block resides at the updated address (old address XOR 0x0010) instead of the old address. Otherwise (Condition Code Evaluates False) the value of the Message Control/Status Block Address parameter is not changed.</p> <p>At the start of XQF message execution, if the fourth word in the Message Control/Status Block is nonzero, it is copied to the BC Time to Next Message Register, and message timer begins decrementing. The BC message sequencer does not fetch the next instruction op code until this message timer reaches zero.</p>
XFG	Execute, Flip and Go <i>Unconditional</i>	0x17	RAM Address for Message Control/ Status Block	<p>Unconditionally execute the message at the parameter-specified Message Control/Status Block Address. At message completion, if the Condition Code evaluates True, then toggle bit 4 of the Message Control/Status Block Address, and store the new Message Control/Status Block Address as the updated value of the parameter following the XFG instruction op code. As a result, the next time this address in the BC Instruction List is executed, the processed Message Control/ Status Block resides at the updated address (old address XOR 0x0010) instead of the old address. Otherwise (Condition Code Evaluates False) the value of the Message Control/Status Block Address parameter is not changed.</p> <p>At the start of XQG message execution, if the fourth (Time to Next Message) word in the Message Control/Status Block is nonzero, it is copied to the BC Time to Next Message Register 0x0036, and this message timer begins countdown. Completion of an XQG message may occur while message timer countdown continues.</p> <p>Unlike XQF, the XFG op code does not wait for the decrementing message timer to hit 0 before fetching the next instruction op code. As long as op codes following XFG do not execute a 1553 message, each op code is performed after fetch. Upon reaching a following XEQ, XQG, XQF or XFG execute-message instruction, transaction of its 1553 message does not begin until Time to Next Message count reaches 0. Thus, programmed 1553 message timing is maintained, while allowing execution of non-message instruction op codes.</p>

HI-6130, HI-6131

Name	Instruction	Op Code	Parameter	Function
WMP	Write Immediate Value to WMI Memory Pointer <i>Conditional</i>	0x1B	Immediate Value	If the Condition Code evaluates True, write the parameter-specified immediate value to the dedicated WMI memory pointer (a register not accessible by the host). Otherwise (Condition Code Evaluates False), continue execution at the next op code in the BC Instruction List. Immediate value must exceed 0x4F or WMP instruction has no effect. After reset, the default WMI memory pointer value is 0x0050.
WMI	Write Immediate Value to Memory <i>Conditional</i>	0x1C	Immediate Value	If the Condition Code evaluates True, write the parameter-specified immediate value to 0x0050 or the memory address specified by the last WMP instruction performed. Otherwise (Condition Code Evaluates False), continue execution at the next op code in the BC Instruction List.
DSZ	Decrement RAM Specified by Memory Address, Skip the Next Instruction if Zero <i>Conditional</i>	0x1D	Memory Address	If the Condition Code evaluates True, the memory address specified by the parameter word is decremented. If the new value is non-zero, the next instruction is executed. If the decremented value is zero, the next instruction is skipped. Otherwise (Condition Code Evaluates False), continue execution at the next op code in the BC Instruction List. The primary purpose of DSZ is N-iteration repeating execution loops. N is initialized with a WMI op code, and the instruction following DSZ is a JMP to top-of-loop.
FLG	General Purpose Flag Bits <i>Unconditional</i>	0x0C	Word value sets, clears or toggles General Purpose Flag Bits	The parameter word value is used to set, clear, or toggle the lower byte in the BC General Purpose Flag Register 0x0037. The upper and lower bytes in the parameter word provide 2-bit arguments that modify each of the eight GP flag bits, as illustrated below.

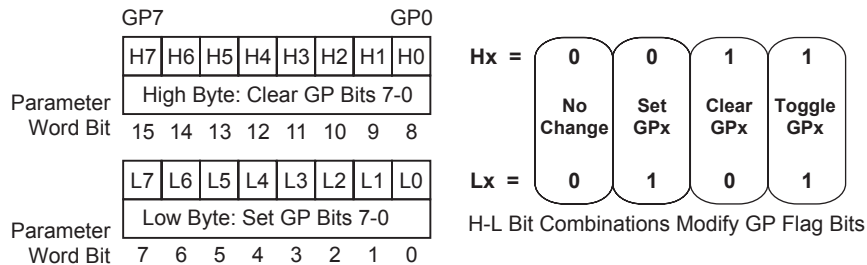


Figure 5. Bus Controller Flag Operation

10.3. Bus Controller General Purpose Queue

The HI-613x BC architecture includes a General Purpose Queue, a 64-word circular buffer which the BC can use to convey information to the external BC host. Various BC instruction op codes push data values onto the queue, such as the Block Status Word for the last message, Time Tag Counter values, immediate data values, or values stored in specific RAM addresses.

The BC General Purpose Queue Pointer 0x0038 (see Section 11.8) is initialized with the default starting address 0x00C0 after reset. The queue is relocatable, so the host may overwrite the default base address. Updated by the BC logic each time a data word is pushed onto the queue, the pointer in register 0x0038 always points to the next storage address in the queue to be written. The address pointer rolls over every 64th word written. If the BCGPQ bit 13 is logic 1 in the BC Interrupt Enable Register, a BC interrupt is generated when the General Purpose Queue Pointer rolls over from its ending address to its base address.

10.4. Bus Controller Message Control / Status Blocks

In the BC Instruction List, each occurrence of the “execute message” instructions, XEQ, XQG, XQF and XFG, references a MIL-STD-1553B message. The op code word is followed by the parameter word, a memory pointer indicating the RAM start address for a corresponding Message Control/Status Block. The pointer address indicates the first word in the Message Control/Status Block, the BC Control Word. Figure 6 illustrates this relationship.

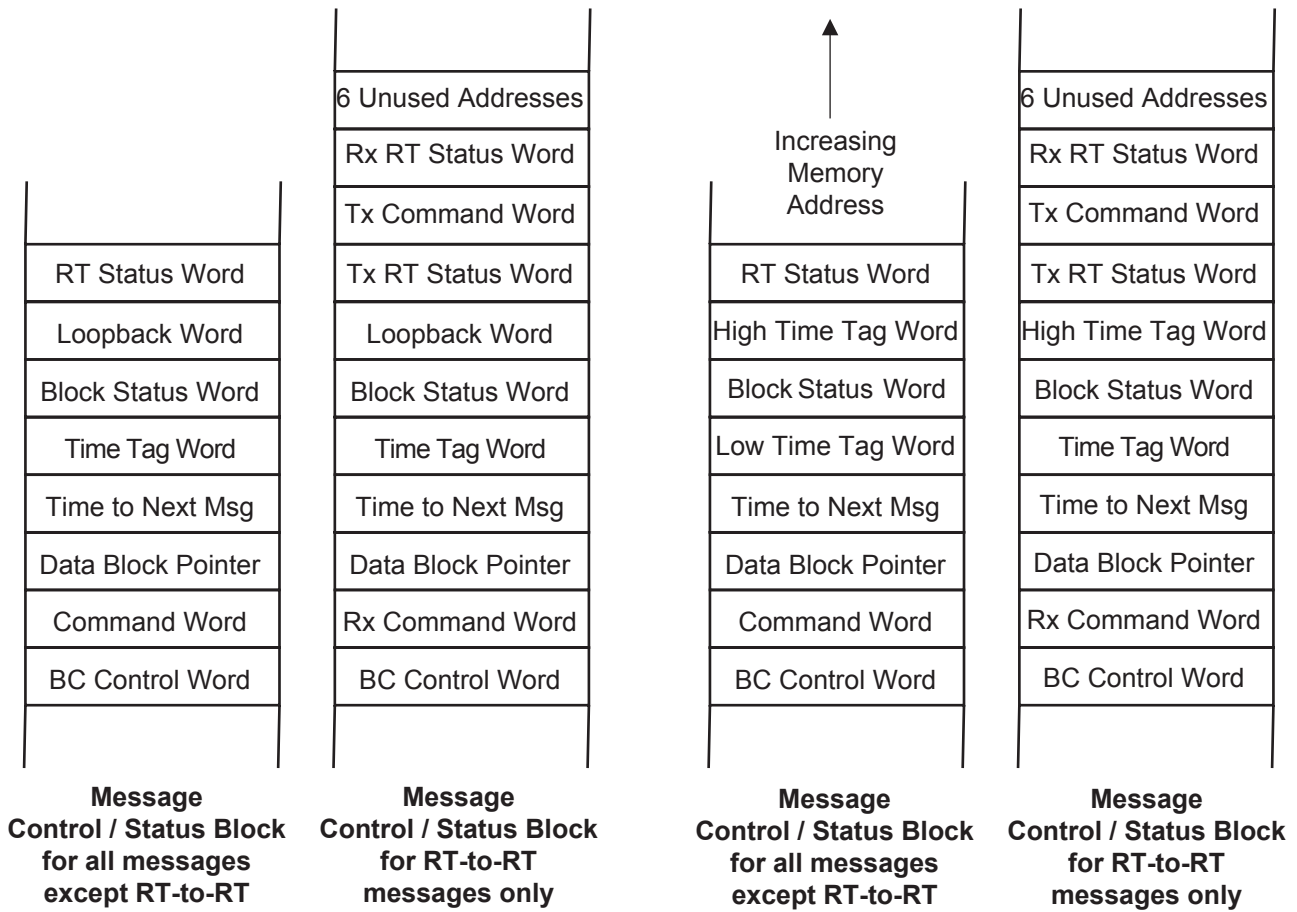
The HI-613x is fully compatible with all MIL-STD-1553B message formats. For most MIL-STD-1553 messages, the corresponding Message Control/Status Block contains 8 words:

- **BC Control Word.** This word contains flags that select message format, choose the active bus, enable message retry and end-of-message interrupt, indicate expected RT status word flags, etc.
- **MIL-STD-1553 Command Word.** When message is RT-to-RT, this is the Receive Command Word.
- **Data Block Pointer.** For subaddress commands and mode code commands with data, this word identifies the start address of the Message Data Block in RAM. For mode commands without data, this word is not used.
- **Time-to-Next Message.** The time count loaded here begins decrementing at start of message. When value exceeds message execution time, it paces delivery of the next message.
- **Time Tag Word.** The current value of the internal time tag count is written to the Time Tag Word at Start-of-Message and again at the End-of-Message. When the BC uses a 16-bit time base, this location contains the complete time count. When the BC uses 32-bit time base, this word contains time bits 15-0 and block word 7 contains time bits 31-16 (instead of Loopback Word).
- **Block Status Word.** This word contains various message result flags.
- **Loopback Word,** containing the last word transmitted by the BC (16-bit time base only) or **Time Tag Bits 31-16** (32-bit time base only)
- **RT Status Word** received.
This is the **Transmit RT Status Word** when message is RT-to-RT.

When the message is RT-to-RT, the Message Control/Status Block contains 8 additional words:

- **Transmit Command Word.**
- **Receive RT Status Word.**
- Six unused word locations, to maintain 8 or 16 words per Message Control/Status Block.

Figure 6 shows the range of Message Control/Status Block variations. Selected words in the Message Control/Status Block are described next.

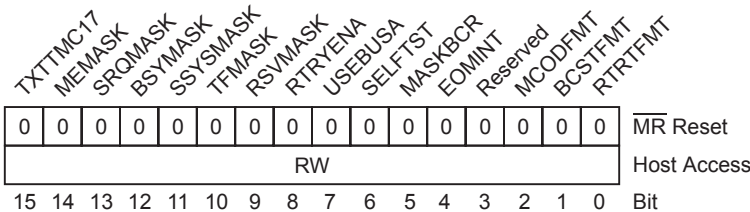


Bus Controller Configured for 16-Bit Time Base

Bus Controller Configured for 32-Bit Time Base

Figure 6. Structure of Bus Controller Message Control / Status Blocks in RAM

10.4.1. BC Control Word



The BC Control Word is the first word in each Message Control / Status Block. The BC Control Word is not transmitted on the MIL-STD-1553 bus. This word is initialized and maintained by the host to specify message attributes: message format, which bus to use, bit masks for the received RT Status Word, enabling interrupt at end-of-message, and enabling self test:

HI-6130, HI-6131

Bit No.	Mnemonic	R/W	Reset	Function
15	TXTTMC17	R/W	0	<p>Transmit Time Tag for Synchronize Mode Code Command MC17.</p> <p>This option bit only applies when BC Configuration Register TTSYNEN bit 3 is logic 1. This bit affects only the “synchronize with data” mode code command, (mode code 0x11 or decimal 17).</p> <ul style="list-style-type: none"> If this Control Word bit is logic 0 (or if BC Configuration Register TTSYNEN bit 3 is logic 0) the BC transmits the value contained in the Message Data Block as the data word for a “synchronize” mode code command MC17. The transmitted word is fetched from the RAM address referenced by the Data Block Pointer. If this Control Word bit and BC Configuration Register TTSYNEN bit 3 are both logic 1, the “synchronize” mode data word value originates from the 16-bit BC time base counter (low order 16 bits when using the 32-bit BC time base option). <ul style="list-style-type: none"> If BC Configuration Register ETTSYN bit 2 is also logic 1, the transmitted time tag data word is always an even value; the least significant bit is always 0. When ETTSYN bit 2 is logic 0, the data word least significant bit may be 0 or 1. <p>The transmitted data value is saved in the message data block, at the address indicated by the Data Block Pointer word.</p>
14	MEMASK	R/W	0	<p>Message Error Bit Mask.</p> <p>If this BC Control Word bit is logic 0 and the Message Error bit 10 is logic 1 in the received RT Status Word, a “Status Set” condition will result.</p> <p>If this BC Control Word bit is logic 1, the Message Error bit 10 in the received RT Status Word has no effect on the outcome for a “Status Set” condition.</p> <p>Note: A “Status Set” condition results if one or more of these events occurs:</p> <ul style="list-style-type: none"> one or more of the mask bits 14-9 in the BC Control Word is logic 0 and the corresponding bit is logic 1 in the received RT Status Word, the BCRME bit 0 is logic 1 in the BC Configuration Register 0x0032 and the MASKBCR bit in the BC Control Word is logic 0 and the Broadcast Command Received bit 4 is logic 1 in the RT Status Word the BCRME bit 0 is logic 0 in the BC Configuration Register 0x0032 and the MASKBCR bit in the BC Control Word differs from the Broadcast Command Received bit 4 in the RT Status Word The received RT Status Word contains an RT Address field different from the RT Address field in the transmitted Command Word
13	SRQMASK	R/W	0	<p>Service Request Bit Mask.</p> <p>If this BC Control Word bit is logic 0 and the Service Request bit 8 is logic 1 in the received RT Status Word, a “Status Set” condition will result.</p> <p>If this BC Control Word bit is logic 1, the Service Request bit 8 in the received RT Status Word has no effect on the outcome for a “Status Set” condition.</p> <p>See “Note” at end of MEMASK bit description above.</p>

HI-6130, HI-6131

Bit No.	Mnemonic	R/W	Reset	Function
12	BSYMASK	R/W	0	<p>Busy Bit Mask.</p> <p>If this BC Control Word bit is logic 0 and the Busy bit 3 is logic 1 in the received RT Status Word, a “Status Set” condition will result.</p> <p>If this BC Control Word bit is logic 1, the Busy bit 3 in the received RT Status Word has no effect on the outcome for a “Status Set” condition.</p> <p>See “Note” at end of MEMASK bit description above.</p>
11	SSYSMASK	R/W	0	<p>Subsystem Flag Bit Mask.</p> <p>If this BC Control Word bit is logic 0 and the Subsystem Flag bit 2 is logic 1 in the received RT Status Word, a “Status Set” condition will result.</p> <p>If this BC Control Word bit is logic 1, the Subsystem Flag bit 2 in the received RT Status Word has no effect on the outcome for a “Status Set” condition.</p> <p>See “Note” at end of MEMASK bit description above.</p>
10	TFMASK	R/W	0	<p>Terminal Flag Bit Mask.</p> <p>If this BC Control Word bit is logic 0 and the Terminal Flag bit 0 is logic 1 in the received RT Status Word, a “Status Set” condition will result.</p> <p>If this BC Control Word bit is logic 1, the Terminal Flag bit 0 in the received RT Status Word has no effect on the outcome for a “Status Set” condition.</p> <p>See “Note” at end of MEMASK bit description above.</p>
9	RSVMASK	R/W	0	<p>Reserved Bits Mask.</p> <p>If this BC Control Word bit is logic 0 and one or more of the three Reserved bits 7-5 is logic 1 in the received RT Status Word, a “Status Set” condition will result.</p> <p>If this BC Control Word bit is logic 1, the three Reserved bits 7-5 in the received RT Status Word have no effect on the outcome for a “Status Set” condition.</p> <p>See “Note” at end of MEMASK bit description above.</p>
8	RTRYENA	R/W	0	<p>Retry Enabled.</p> <p>If this Control Word bit is logic 1 and BCRE (BC Retry Enable) bit 12 is logic 1 in the BC Configuration Register 0x0032, the BC will retry a message if RT response timeout or Format Error occurs.</p> <p>If this Control Word bit is logic 1 and BCRE (BC Retry Enable) bit 12 is logic 1 and BCRSB (BC Retry If Status Word Bits Set) bit 8 is also logic 1 in the BC Configuration Register 0x0032, the BC will retry a message when a “Status Set” condition occurs. See “Note” at end of MEMASK bit 14 description above.</p>
7	USEBUSA	R/W	0	<p>Use Bus A / $\overline{\text{Use Bus B}}$.</p> <p>If this Control Word bit is logic 1, the BC transmits the command on Bus A.</p> <p>If this Control Word bit is logic 0, the BC transmits the command on Bus B.</p>

HI-6130, HI-6131

Bit No.	Mnemonic	R/W	Reset	Function
6	SELFTST	R/W	0	<p>Self-Test Message Off-Line.</p> <p>If this Control Word bit is logic 1, transmission of this message onto the 1553 bus is inhibited. Instead the digitally-encoded Command Word is looped back into the receive decoder for the selected bus. This tests both the encoding and decoding signal paths. Upon message completion, Loop Test Fail bit 8 in the Block Status Word indicates the self-test result.</p> <p>If BC is configured for 16-bit time base, the received Loopback Word is stored in the Message Control/Status Block. If the BC is configured for 32-bit time base, time tag bits 31-16 are stored in the Loopback Word location.</p> <p>See Section “24.2.7. Programmed BC-Mode Digital Loopback Testing (Off-Line)” on page 243.</p>
5	MASKBCR	R/W	0	<p>Mask Broadcast Command Received Bit.</p> <p>If the BCRME bit 0 is logic 1 in the BC Configuration Register 0x0032, then this Control Word bit is a “mask bit” like bits 14-9, acting upon the BCR Broadcast Command Received bit 4 in the received RT Status Word:</p> <ul style="list-style-type: none"> • If this MASKBCR Control Word bit is logic 0 and the Broadcast Command Received bit 4 is logic 1 in the received RT Status Word, a “Status Set” condition will result. • If this MASKBCR Control Word bit is logic 1, the Broadcast Command Received bit 4 in the received RT Status Word has no effect on the outcome for a “Status Set” condition. <p>If the BCRME bit 0 is logic 0 in the BC Configuration Register 0x0032, then this MASKBCR Control Word bit reflects the expected state of the Broadcast Command Received bit 4 in the received RT Status Word:</p> <ul style="list-style-type: none"> • If this MASKBCR Control Word bit does not match the logic state of the Broadcast Command Received bit 4 in the received RT Status Word, a “Status Set” condition will result. • If this MASKBCR Control Word bit matches the logic state of the Broadcast Command Received bit 4 in the received RT Status Word, then the Broadcast Command Received bit 4 in the received RT Status Word has no effect on the outcome for a “Status Set” condition. <p>See Table 10.</p>
4	EOMINT	R/W	0	<p>End of Message Interrupt.</p> <p>If the BCEOM bit 3 is logic 1 in the BC Interrupt Enable Register 0x0010, an EOM interrupt will occur upon message completion, if this Control Word bit is logic 1.</p>
3	Reserved	R/W	0	This bit is not used.

HI-6130, HI-6131

Bit No.	Mnemonic	R/W	Reset	Function		
2	MCODFMT	R/W	0	Mode Code Message Format.		
1	BCSTFMT			Broadcast Message Format.		
0	RTRTFMT			RT to RT Message Format.		
The combination of these three Message Format bits selects the MIL-STD-1553B message type:						
						Mode Code Bit 2
						Broadcast Bit 1
						RT-RT Bit 0
						Message Type
						0 0 0 BC-to-RT if the T/\overline{R} bit * equals logic 0
						0 0 1 RT-to-BC if the T/\overline{R} bit * equals logic 1
				0 1 0 RT-to-RT		
				0 1 0 Broadcast BC-to-RT		
				0 1 1 Broadcast RT-to-RT		
				1 0 0 Mode Code Command		
				1 0 1 Do Not Use		
				1 1 0 Broadcast Mode Code Command		
				1 1 1 Do Not Use		
* Transmit / $\overline{\text{Receive}}$ bit in Command Word						
Note: Bit 0 must be logic 1 for RT-RT messages. This is the single control point enabling the 16-word Control Block that configures RT-RT messages.						

10.4.2. Time to Next Message Word

The HI-613x Bus Controller provides a programmable delay for Time to Next Message. This word in the Message Control / Status Block specifies the delay from the start of this message, to the start of the next message. The delay is programmable with 1 μs per LSB resolution, and has a maximum value of 65.535 milliseconds.

When the specified Time to Next Message value is less than the actual time required to transact the current message, the next message starts immediately upon completion current message, after the minimum inter-message gap time of 4 μs . This gap corresponds to a bus “dead time” of 2 μs .

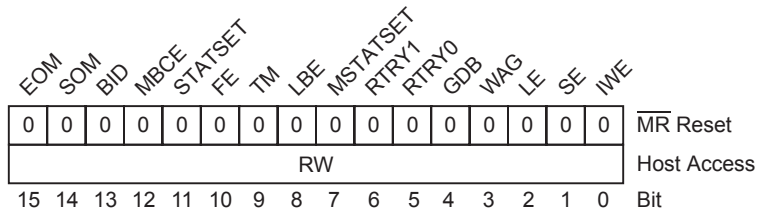
10.4.3. Data Block Pointer

The Data Block Pointer in the Message Control / Status Block provides the starting address in RAM for storage of message data words or mode code data. For BC-to-RT (receive) commands, this pointer contains the RAM location for the first data word transmitted by the BC.

For RT-to-BC (transmit) commands or RT-to-RT commands, this pointer contains the RAM location for storing the first data word transmitted by the RT (and received by the BC).

HI-6130, HI-6131

10.4.4. BC Block Status Word



The Block Status Word in the Message Control / Status Block provides information regarding message status (in-process or completed), the bus it was transmitted on, whether errors occurred during the message, and the type of occurring errors. This word is written into RAM by the device after message completion. Because it resides in RAM, the host has read-write access, although this word is usually treated as read-only by the host.

Bit No.	Mnemonic	R/W	Reset	Function
15	EOM	R/W	0	End of Message. This bit is set upon completion of a BC message, whether or not errors occurred. When EOM is set, the current value of the Time Tag Word(s) is (are) written to the corresponding Time Tag Word(s) in the BC Message Control/Status Block.
14	SOM	R/W	0	Start of Message. This bit is set at the start of a BC message and cleared at the end of the message. When SOM is set (and reset), the current value of the Time Tag Word(s) is (are) written to the corresponding Time Tag Word(s) in the BC Message Control/Status Block.
13	BID	R/W	0	Bus ID (Bus B / $\overline{\text{Bus A}}$). This bit is logic 1 if the BC message was transacted on Bus B. This bit is logic 0 if the BC message was transacted on Bus A.
12	MBCE	R/W	0	Message Block Coding Error. A programming test aid, this bit only applies when CHKFMT bit 13 is logic 1 in the BC Configuration Register. Each message BC Control Word has flags that indicate format: mode code command (bit 2), RT-RT message (bit 1) and broadcast message (bit 0). When CHKFMT is 1, these flags are compared to the message Command Word(s) that follow the Control Word in the Message Block. When message format mismatch occurs (a BC programming error), this MBCE bit is set in the message Block Status Word. See CHKFMT description in "BC (Bus Controller) Configuration Register (0x0032)" on page 80.

HI-6130, HI-6131

Bit No.	Mnemonic	R/W	Reset	Function
11	STATSET	R/W	0	<p>Status Set.</p> <p>This bit is not affected by the values of mask bits 14-9 in the BC Control Word for the message.</p> <p>This bit is logic 1 when the received RT Status Word contains an unexpected bit value in the bit 10-0 range. The expected value is usually logic 0 for bits 10-0 in the received RT Status Word.</p> <p>Exception: the expected value for Broadcast Command Received bit 4 in the received RT Status Word is logic 1 when BCRME bit 0 is logic 1 in the BC Configuration Register 0x0032, and MASKBCR bit in the BC Control Word bit is logic 0</p>
10	FE	R/W	0	<p>Format Error.</p> <p>This bit is logic 1 when a received RT response violates MIL-STD-1553 message validation criteria. This includes sync, word count, encoding, bit count or parity errors. Word bits 2-0 provide additional information. This flag is also set when the received RT Status Word response from the last message contained an incorrect RT address field.</p>
9	TM	R/W	0	<p>No Response Timeout Error.</p> <p>This bit is logic 1 when an RT fails to respond, or responds later than the BC No Response Timeout interval specified by bits 15-14 in the BC Configuration Register 0x0032.</p>
8	LBE	R/W	0	<p>Loopback Error.</p> <p>The HI-613x BC evaluates its own 1553 message transmissions. The received version of each word transmitted by the BC is checked for 1553 validity (sync, encoding, bit count and/or parity error). In addition, for each message transacted, the received image for the last word transmitted by the BC is evaluated for data match.</p> <p>This bit is logic 1 when the received version for one or more words transmitted by the BC fails 1553 "word validity" criteria, and/or the received version for the last word transmitted by the BC does not match the Manchester II word transmitted by the BC.</p>
7	MSTATSET	R/W	0	<p>Masked Status Set.</p> <p>This bit is logic 1 when any of the following conditions occurs:</p> <ul style="list-style-type: none"> • One or more of the mask bits 14-9 in the BC Control Word is logic 0 and the corresponding bit is logic 1 in the received RT Status Word. • Or the BCRME bit 0 is logic 1 in the BC Configuration Register 0x0032 and the MASKBCR bit in the BC Control Word is logic 0 and the Broadcast Command Received bit 4 is logic 1 in the RT Status Word. • Or the BCRME bit 0 is logic 0 in the BC Configuration Register 0x0032 and the MASKBCR bit in the BC Control Word differs from the Broadcast Command Received bit 4 in the RT Status Word. • Or the received RT Status Word contains an RT Address field different from the RT Address field in the transmitted Command Word.

HI-6130, HI-6131

Bit No.	Mnemonic	R/W	Reset	Function															
6 5	RTRY1 RTRY0	R/W	0	<p>Retry Count 1 and Retry Count 0</p> <p>If BCRE (BC Retry Enable) bit 12 is logic 1 in the BC Configuration Register 0x0032 and RTRYENA bit 8 is logic 1 in the BC Control Word for this message, the BC will retry the message if RT response timeout or Format Error occurs.</p> <p>Also, if BCRE (BC Retry Enable) bit 12 is logic 1 and BCRSB (BC Retry if Status Word Bits Set) bit 8 is logic 1 in the BC Configuration Register 0x0032 and RTRYENA bit 8 is logic 1 in the BC Control Word for this message, the BC will retry the message when a "Status Set" condition occurs. See "MSTATSET" bit 7 description above.</p> <p>The combination of these two bits indicates the number of times this message was retried:</p> <table border="1" style="margin-left: auto; margin-right: auto;"> <thead> <tr> <th><i>RTRY1 Bit 6</i></th> <th><i>RTRY0 Bit 5</i></th> <th><i>Number of Retries</i></th> </tr> </thead> <tbody> <tr> <td style="text-align: center;">0</td> <td style="text-align: center;">0</td> <td style="text-align: center;">0</td> </tr> <tr> <td style="text-align: center;">0</td> <td style="text-align: center;">1</td> <td style="text-align: center;">1</td> </tr> <tr> <td style="text-align: center;">1</td> <td style="text-align: center;">0</td> <td style="text-align: center;">2</td> </tr> <tr> <td style="text-align: center;">1</td> <td style="text-align: center;">1</td> <td style="text-align: center;">Not Used</td> </tr> </tbody> </table>	<i>RTRY1 Bit 6</i>	<i>RTRY0 Bit 5</i>	<i>Number of Retries</i>	0	0	0	0	1	1	1	0	2	1	1	Not Used
<i>RTRY1 Bit 6</i>	<i>RTRY0 Bit 5</i>	<i>Number of Retries</i>																	
0	0	0																	
0	1	1																	
1	0	2																	
1	1	Not Used																	
4	GDB	R/W	0	<p>Good Transmit Data Block Transfer.</p> <p>This bit is set to logic 1 upon successful completion of an error-free RT-to-BC message, RT-to-RT message, or transmit mode code message with data. This bit always resets to logic 0 for any BC-to-RT message, mode code message without data, or any incomplete or invalid message.</p> <p>This bit may be used for determining when the transmit portion of an RT-to-RT message is error-free. If this bit and Error Flag bit 12 are both set to logic 1 in the Block Status Word for an RT-to-RT message, the transmitting RT responded correctly but error occurred in the receiving RT portion of the message.</p>															
3	WAG	R/W	0	<p>Wrong RT Address and/or No Gap.</p> <p>This bit is logic 1 when one or both of the following conditions occur</p> <ul style="list-style-type: none"> • the RT address field within a received RT Status Word does not match the RT address field in the Command Word transmitted by the BC • the BCGCE BC Gap Check Enable bit 1 in the BC Configuration Register 0x0032 and the RT responds with response time less than 4 μs per MIL-STD-1553B, mid-parity bit to mid-sync, (2 μs bus "dead time"). 															
2	LE	R/W	0	<p>Word Count (Length) Error.</p> <p>This bit is logic 1 when an RT-to-BC message, RT-to-RT message, or transmit mode code message with data is transacted with the wrong number of data words.</p> <p>This bit always resets to logic 0 for BC-to-RT messages, receive mode code messages, or transmit mode code messages without data.</p>															
1	SE	R/W	0	<p>Sync Error.</p> <p>This bit is logic 1 when an RT responds with Data Sync in its Status Word, or with Command/Status Sync in a Data Word.</p>															

HI-6130, HI-6131

<i>Bit No.</i>	<i>Mnemonic</i>	<i>R/W</i>	<i>Reset</i>	<i>Function</i>
0	IWE	R/W	0	Invalid Word Error. This bit is logic 1 when an RT response in one or more words having at least one of the following errors: sync encoding error, Manchester II encoding error, bit count error, parity error.

HI-6130, HI-6131

Bit No.	Mnemonic	R/W	Reset	Function
13	CHKFMT	R/W	0	<p>Check Message Format.</p> <p>When this bit equals logic 1, BC Control Word message format bits 2-0 (mode command, RT-RT message and broadcast flags) are compared to values for the message Command Word(s) that follow the Control Word in the Message Block. This is provided as a BC program development aid.</p> <p>When the CHKFMT bit is logic 1 and message format mismatch occurs, the MBCE Message Block Coding Error bit 12 is set in the message Block Status Word (see Section “10.4.4. BC Block Status Word” on page 76). If enabled, BC Trap interrupt is generated (see Section “11.15.3. Bus Controller (BC) Interrupt Output Enable Register (0x0014)” on page 97).</p> <p>When the CHKFMT bit is logic 0, no format checking occurs between BC Control Word bits 2-0 and the MIL-STD-1553 message Command Word(s). Even with message format checking disabled, BC Control Word bit 0 must be logic 1 for RT-RT messages. <i>This is the single control point enabling the 16-word BC Control Block that configures an RT-to-RT message.</i></p>
12	BCRE	R/W	0	<p>BC Retry Enable.</p> <p>If bit 12 equals logic 0, command retries are disabled for all messages. If bit 12 equals logic 1, command retries can be enabled on an individual message basis by setting bit 8 in the BC Control Word.</p>
11	BC2RE	R/W	0	<p>BC Second Retry Enable.</p> <p>If retries are enabled (register bit 12 equals 1) this bit selects the number of retries performed, If bit 11 equals logic 0, a single retry is performed. If bit 11 equals logic 1, up to two retries are performed.</p>
10	BCR1A	R/W	0	<p>BC First Retry Use Alternate Bus.</p> <p>If retries are enabled (register bit 12 equals 1) this bit selects the bus used for the first retry. If bit 10 equals 0, the first retry is performed on the same bus from which the message was originally transmitted. If bit 10 equals 1, first retry is performed on the alternate bus from which the message was originally transmitted.</p>
9	BCR2A	R/W	0	<p>BC Second Retry Use Alternate Bus.</p> <p>If first and second retries are enabled (register bits 12:11 equal 1-1) this bit selects the bus used for the second retry. If bit 9 equals 0, the second retry is performed on the same bus where the message was originally transmitted. If bit 9 equals 1, second retry is performed on the alternate bus from where the message was originally transmitted.</p>

HI-6130, HI-6131

Bit No.	Mnemonic	R/W	Reset	Function											
8	BCRSB	R/W	0	<p>BC Retry If Unmasked Status Word Bit Set.</p> <p>This bit affects operation of BC retries. If bit 8 equals logic 0, the BC will not retry messages because of status bit(s) set in the RT Status Word, or Status Word with non-matching RT address field.</p> <p>If retries are enabled and bit 8 equals logic 1, the BC will retry messages for these RT status word results:</p> <ol style="list-style-type: none"> 1. One or more BC Control Word mask bits 14-9 is logic 0 (bits are not masked) and the corresponding bit is logic 1 in the received RT Status Word. 2. The BCR Mask Enable bit 0 equals 0 in the BC Configuration Register 0x0032. The Broadcast Command Received (BCR) bit in the received RT Status Word differs from the Mask BCR bit (bit 5) in the BC Control Word. 3. Received Status Word RT address does not match Command Word RT address. 											
7	MENDV	R/W	0	<p>Message Error Status, No Data is Valid</p> <p>Bit 7 affects BC validation of RT responses to transmit commands when the Message Error (ME) bit is asserted in the received RT Status Word.</p> <p>When the MENDV bit equals logic 0:</p> <ul style="list-style-type: none"> • When an RT responds Message Error status to a transmit command, the response is valid only if the Status Word is followed by the commanded number of data words. Message result: <table border="1" style="width: 100%; border-collapse: collapse;"> <thead> <tr> <th style="text-align: center;">Condition</th> <th style="text-align: center;">Block Status Word</th> <th style="text-align: center;">Condition Code Register</th> </tr> </thead> <tbody> <tr> <td style="text-align: center;">Commanded number of data words</td> <td style="text-align: center;">Good Data Block (GDB) bit = 1</td> <td style="text-align: center;">Good Data Block Transfer (GDBT) bit = 1</td> </tr> <tr> <td rowspan="2" style="text-align: center;">If MEMASK = 1 in BC Control Word</td> <td style="text-align: center;">Masked Status Set (MSTATSET) bit = 1.</td> <td style="text-align: center;">Masked Status Set (MSTATSET) bit = 1.</td> </tr> <tr> <td style="text-align: center;">Status Set (STATSET) bit = 1.</td> <td style="text-align: center;">-----</td> </tr> </tbody> </table>	Condition	Block Status Word	Condition Code Register	Commanded number of data words	Good Data Block (GDB) bit = 1	Good Data Block Transfer (GDBT) bit = 1	If MEMASK = 1 in BC Control Word	Masked Status Set (MSTATSET) bit = 1.	Masked Status Set (MSTATSET) bit = 1.	Status Set (STATSET) bit = 1.	-----
Condition	Block Status Word	Condition Code Register													
Commanded number of data words	Good Data Block (GDB) bit = 1	Good Data Block Transfer (GDBT) bit = 1													
If MEMASK = 1 in BC Control Word	Masked Status Set (MSTATSET) bit = 1.	Masked Status Set (MSTATSET) bit = 1.													
	Status Set (STATSET) bit = 1.	-----													

HI-6130, HI-6131

Bit No.	Mnemonic	R/W	Reset	Function			
7	MENDV (continued)	R/W	0	<ul style="list-style-type: none"> If the RT responds Message Error status to a transmit command with the wrong number of data words or no data words, here is the message result: 			
				Condition	Block Status Word	Condition Code Register	
				Wrong number of (or no) data words	Format Error (FE) bit = 1	Format Error (FMterr) bit = 1	
				If MEMASK = 1 in BC Control Word	Masked Status Set (MSTATSET) bit = 1.	Masked Status Set (MSTATSET) bit = 1.	
					Word Count Error (LE) bit = 1.	Bad Message (BADMSG) bit = 1	
					Status Set (STATSET) bit = 1.	-----	
				When the MENDV bit equals logic 1:			
				<ul style="list-style-type: none"> When an RT responds Message Error status to a transmit command, the response is valid with the commanded number of data words, or ME status with no data words. Here is the message result: 			
				Condition	Block Status Word	Condition Code Register	
				Commanded # of data words only, "Good Data" is not shown if no data	Good Data Block (GDB) bit = 1	Good Data Block Transfer (GDBT) bit = 1	
				If MEMASK = 0 in BC Control Word	Masked Status Set (MSTATSET) bit = 1.	Masked Status Set (MSTATSET) bit = 1.	
					Status Set (STATSET) bit = 1.	-----	

HI-6130, HI-6131

Bit No.	Mnemonic	R/W	Reset	Function			
7	MENDV (continued)	R/W	0	<ul style="list-style-type: none"> If the RT responds Message Error status to a transmit command with the wrong number of data words (not 0), here is the message result: 			
				Condition	Block Status Word	Condition Code Register	
				Wrong number of data words	Format Error (FE) bit = 1	Format Error (FMterr) bit = 1	
				If MEMASK = 0 in BC Control Word	Masked Status Set (MSTATSET) bit = 1.	Masked Status Set (MSTATSET) bit = 1.	
					Word Count Error (LE) bit = 1.	Bad Message (BADMSG) bit = 1	
					Status Set (STATSET) bit = 1.	-----	
				<p>The only 3 cases when an RT transmits Message Error status onto the bus:</p> <ol style="list-style-type: none"> An RT using “illegal command detection” receives an illegal command that otherwise meets all other validation requirements. The RT responds with Status Word only, with Message Error bit set. No data words are sent. An RT receives a “transmit status” mode command (MC2). The previous valid command for the RT had Message Error status. The RT responds with Status Word only, with Message Error bit set. No data words are sent. An RT receives a “transmit last command” mode command (MC18 decimal). The previous valid command for the RT set Message Error status. The RT responds with Status Word (with Message Error bit set) and one data word, the previous Command Word. <p>In summary, Message Error status never occurs with more than one data word, and only occurs with one data word for the “transmit last command” mode code.</p> <p>Besides illegal command detection, there is just one situation where Message Error status occurs, but Status transmission is suppressed: The RT detects a valid receive command having correct RT address, but an invalid word is detected in the accompanying data words, or a gap occurs between words. In this situation, Message Error status is set but the RT suppresses its Status Word transmission. This suppressed ME status is only seen by the BC if retrieved by a following “transmit status” or “transmit last command” mode command.</p>			

HI-6130, HI-6131

Bit No.	Mnemonic	R/W	Reset	Function																																			
6	BSYNDV	R/W	0	<p>Busy Status, No Data, is Valid</p> <p>Bit 6 affects BC validation of RT responses to transmit commands when the Busy bit is asserted in the received RT Status Word.</p> <p>When the BSNDV bit equals logic 0:</p> <p>When an RT responds Busy status to a transmit command, the response is valid only if the Status Word is followed by the commanded number of data words. Here is the message result:</p> <table border="1" style="width: 100%; border-collapse: collapse;"> <thead> <tr> <th style="text-align: center;">Condition</th> <th style="text-align: center;">Block Status Word</th> <th style="text-align: center;">Condition Code Register</th> </tr> </thead> <tbody> <tr> <td style="text-align: center;">Commanded number of data words</td> <td style="text-align: center;">Good Data Block (GDB) bit = 1</td> <td style="text-align: center;">Good Data Block Transfer (GDBT) bit = 1</td> </tr> <tr> <td rowspan="2" style="text-align: center;">If BSYMASK = 1 in BC Control Word</td> <td style="text-align: center;">Masked Status Set (MSTATSET) bit = 1.</td> <td style="text-align: center;">Masked Status Set (MSTATSET) bit = 1.</td> </tr> <tr> <td style="text-align: center;">Status Set (STATSET) bit = 1.</td> <td style="text-align: center;">-----</td> </tr> </tbody> </table> <ul style="list-style-type: none"> If the RT responds Busy status to a transmit command with the wrong number of data words or no data words, here is the message result: <table border="1" style="width: 100%; border-collapse: collapse;"> <thead> <tr> <th style="text-align: center;">Condition</th> <th style="text-align: center;">Block Status Word</th> <th style="text-align: center;">Condition Code Register</th> </tr> </thead> <tbody> <tr> <td style="text-align: center;">Wrong number of (or no) data words</td> <td style="text-align: center;">Format Error (FE) bit = 1</td> <td style="text-align: center;">Format Error (FMterr) bit = 1</td> </tr> <tr> <td rowspan="3" style="text-align: center;">If BSYMASK = 1 in BC Control Word</td> <td style="text-align: center;">Masked Status Set (MSTATSET) bit = 1.</td> <td style="text-align: center;">Masked Status Set (MSTATSET) bit = 1.</td> </tr> <tr> <td style="text-align: center;">Word Count Error (LE) bit = 1.</td> <td style="text-align: center;">Bad Message (BADMSG) bit = 1</td> </tr> <tr> <td style="text-align: center;">Status Set (STATSET) bit = 1.</td> <td style="text-align: center;">-----</td> </tr> </tbody> </table> <p>When the BSNDV bit equals logic 1:</p> <ul style="list-style-type: none"> When an RT responds to a transmit command with Busy status, the response is valid when accompanied by the commanded number of data words, or accompanied by no data words. Here is the message result: <table border="1" style="width: 100%; border-collapse: collapse;"> <thead> <tr> <th style="text-align: center;">Condition</th> <th style="text-align: center;">Block Status Word</th> <th style="text-align: center;">Condition Code Register</th> </tr> </thead> <tbody> <tr> <td style="text-align: center;">Commanded # of data words only, "Good Data" is not shown if no data</td> <td style="text-align: center;">Good Data Block (GDB) bit = 1</td> <td style="text-align: center;">Good Data Block Transfer (GDBT) bit = 1</td> </tr> <tr> <td rowspan="2" style="text-align: center;">If BSYMASK = 0 in BC Control Word</td> <td style="text-align: center;">Masked Status Set (MSTATSET) bit = 1.</td> <td style="text-align: center;">Masked Status Set (MSTATSET) bit = 1.</td> </tr> <tr> <td style="text-align: center;">Status Set (STATSET) bit = 1.</td> <td style="text-align: center;">-----</td> </tr> </tbody> </table>	Condition	Block Status Word	Condition Code Register	Commanded number of data words	Good Data Block (GDB) bit = 1	Good Data Block Transfer (GDBT) bit = 1	If BSYMASK = 1 in BC Control Word	Masked Status Set (MSTATSET) bit = 1.	Masked Status Set (MSTATSET) bit = 1.	Status Set (STATSET) bit = 1.	-----	Condition	Block Status Word	Condition Code Register	Wrong number of (or no) data words	Format Error (FE) bit = 1	Format Error (FMterr) bit = 1	If BSYMASK = 1 in BC Control Word	Masked Status Set (MSTATSET) bit = 1.	Masked Status Set (MSTATSET) bit = 1.	Word Count Error (LE) bit = 1.	Bad Message (BADMSG) bit = 1	Status Set (STATSET) bit = 1.	-----	Condition	Block Status Word	Condition Code Register	Commanded # of data words only, "Good Data" is not shown if no data	Good Data Block (GDB) bit = 1	Good Data Block Transfer (GDBT) bit = 1	If BSYMASK = 0 in BC Control Word	Masked Status Set (MSTATSET) bit = 1.	Masked Status Set (MSTATSET) bit = 1.	Status Set (STATSET) bit = 1.	-----
Condition	Block Status Word	Condition Code Register																																					
Commanded number of data words	Good Data Block (GDB) bit = 1	Good Data Block Transfer (GDBT) bit = 1																																					
If BSYMASK = 1 in BC Control Word	Masked Status Set (MSTATSET) bit = 1.	Masked Status Set (MSTATSET) bit = 1.																																					
	Status Set (STATSET) bit = 1.	-----																																					
Condition	Block Status Word	Condition Code Register																																					
Wrong number of (or no) data words	Format Error (FE) bit = 1	Format Error (FMterr) bit = 1																																					
If BSYMASK = 1 in BC Control Word	Masked Status Set (MSTATSET) bit = 1.	Masked Status Set (MSTATSET) bit = 1.																																					
	Word Count Error (LE) bit = 1.	Bad Message (BADMSG) bit = 1																																					
	Status Set (STATSET) bit = 1.	-----																																					
Condition	Block Status Word	Condition Code Register																																					
Commanded # of data words only, "Good Data" is not shown if no data	Good Data Block (GDB) bit = 1	Good Data Block Transfer (GDBT) bit = 1																																					
If BSYMASK = 0 in BC Control Word	Masked Status Set (MSTATSET) bit = 1.	Masked Status Set (MSTATSET) bit = 1.																																					
	Status Set (STATSET) bit = 1.	-----																																					

HI-6130, HI-6131

Bit No.	Mnemonic	R/W	Reset	Function		
6	BSYNDV (continued)	R/W	0	<ul style="list-style-type: none"> If the RT responds to a transmit command with Busy status and the wrong number of data words (but not 0), here is the message result: 		
				Condition	Block Status Word	Condition Code Register
				Wrong number of data words	Format Error (FE) bit = 1	Format Error (FMterr) bit = 1
				If BSYMASK = 0 in BC Control Word	Masked Status Set (MSTATSET) bit = 1.	Masked Status Set (MSTATSET) bit = 1.
					Word Count Error (LE) bit = 1.	Bad Message (BADMSG) bit = 1
Status Set (STATSET) bit = 1.	-----					
				<p>A busy RT is one that is functional, but cannot send or receive data when commanded by the Bus Controller. An RT that is busy sets the Busy bit in its Status Word responses. In response to transmit commands, the busy terminal has no words to transmit, so only the Status Word is transmitted. In the case of the “transmit vector word” and “transmit BIT word” mode code commands, even if the data is available to the terminal, it is prohibited to send the data word if the Busy bit is set in the Status Word.</p> <p>There is just one defined situation in which an RT transmits Busy status with one (and only one) data word: An RT receives a “transmit last command” mode command (MC18 decimal). When the previous valid command for the RT had Busy status, the RT responds with last message status condition (with Busy bit set) and one data word, the previous Command Word.</p>		
5	BCGTE	R/W	0	<p>BC Message Gap Timer Enable.</p> <p>If bit 5 is logic 0, the BC does not add delay between 1553 messages. Message timing is paced by the time required for the BC to complete message post processing. In this case, the minimum inter-message gap will be used, with a bus “dead time” of approximately 6 to 9μs.</p> <p>If bit 5 is logic 1, the BC Message Timer is enabled. The “Time to Next Message” value from the Message Control Block is decremented at 1μs rate. When the count decrements from 1 to 0, the next message starts. If the specified message gap time is less than the time needed for the current message, the next message will start immediately after completion of the current message. In this case, the minimum inter-message gap will be used, with a bus “dead time” of approximately 6 to 9μs. This allows the BC to implement minor frame cycle times without host processor intervention.</p>		

HI-6130, HI-6131

<i>Bit No.</i>	<i>Mnemonic</i>	<i>R/W</i>	<i>Reset</i>	<i>Function</i>
4	BCWDTE	R/W	0	<p>BC Watchdog Timer (WDT) Enabled.</p> <p>When this bit is logic 1, if the BC Watchdog Timer Interrupt (BCWDT) bit is set in the BC Interrupt Enable register, the BC sets the BCWDT bit in the BC Pending Interrupt register when the BC Frame Timer decrements from 1 to 0.</p> <p>When using this feature, it is necessary to periodically reload the Frame Time register by means of the LFT Load Frame Time op code in the BC message sequence control block. The loaded value must allow for the worst-case frame time (including message retries). The WDT provides a failsafe recovery from faults such as message sequence stuck in repetitive loop without LFT reload, or execution jumping to the wrong sequence.</p>
3	TTSYNEN	R/W	0	<p>BC Time Tag Synchronization Enable</p> <p>This option bit only affects the “synchronize with data” mode code command, MC17. When this bit is logic 1, the source of the mode data issued with the “synchronize” mode command is determined by message BC Control Word TXTTMC17 bit 15 (see Section 10.4.1)</p> <ul style="list-style-type: none"> • If BC Control Word TXTTMC17 bit 15 = logic 0, the “synchronize” mode data word originates from the message data block, at the RAM address indicated by the Data Address Pointer word. • If BC Control Word TXTTMC17 bit 15 = logic 1, the “synchronize” mode data word value originates from the 16-bit BC time base counter (or the low order 16 bits, when using the 32-bit BC time base option). The transmitted data value is saved in the message data block, at the address indicated by the Data Address Pointer word. <p>If the TTSYNEN bit is logic 0, regardless of the state of message Control Word bit 15, the “synchronize with data” mode command (MC17) is always issued with mode data originating from the message data block, at the RAM address indicated by the Data Address Pointer word.</p>
2	ETTSYN	R/W	0	<p>Even Time Tag Sync.</p> <p>This bit only applies when TTSYNEN bit 3 is logic 1 and BC Control Word TXTTMC17 bit 15 is also logic 1, selecting “synchronize” mode data origin as time base counter. In this case, if ETTSYN is logic 1, the transmitted time tag data word is always even; the low order bit is always 0. When the ETTSYN bit is logic 0, the data word may be even or odd; the LSB may be 0 or 1.</p>

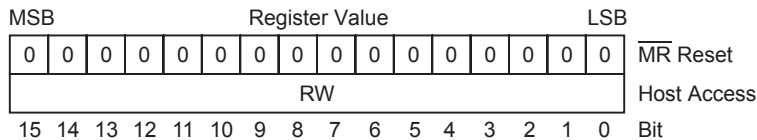
HI-6130, HI-6131

Bit No.	Mnemonic	R/W	Reset	Function
1	BCGCE	R/W	0	<p>BC Gap Check Enable.</p> <p>When this bit is logic 1, the BC verifies that any transmission by a Remote Terminal on the bus is preceded by an inter-word gap of at least 4μs. When this minimum gap time is violated, the BC declares the RT Status Word invalid, and the No Gap error bit is set in the Block Status Word. Gap detection measures the time span from mid-parity of last received word, to mid-sync of the following word (defined here as detection of a properly encoded sync plus two bits). Measured gap time is adjusted to evaluate just the interval of interest, corresponding to a bus “dead time” (end-of-parity to start-of-sync) of 2μs minimum.</p> <p>When this bit is logic 0 (strongly recommended) the BC does not check for minimum bus “dead time” prior to start of transmission by a device on the MIL-STD-1553 bus.</p>
0	BCRME	R/W	0	<p>BCR Mask Enable.</p> <p>This bit selects the function of BC Control Word bit 5, Mask Broadcast, when evaluating the BCR (Broadcast Command Received) bit in RT status words.</p> <p>If BCR Mask Enable bit 0 is logic 1, then RT status word BCR bit masking is enabled. The state of the Mask BCR bit in each BC Control Word selectively allows or disallows BCR status testing by the BC:</p> <ul style="list-style-type: none"> • When “Mask BCR” is logic 1 in a message’s BC Control Word (disabling BCR status bit test), the value of the RT status word BCR bit is “don’t care” in terms of affecting the occurrence of a “Status Set” condition. • When “Mask BCR” is logic 0 in the message’s BC Control Word, “Status Set” occurs when the BCR bit in the received RT Status Word is logic 1. • While broadcast commands never result in transmitted RT status, the “Mask BCR” bit should be set in BC Control Words for “transmit status” or “transmit last command” mode commands immediately following broadcast messages. Setting the “Mask BCR” bit of the message’s BC Control Word to logic 1 indicates the expected value of the BCR bit in the received RT Status Word. <p>If BCR Mask Enable bit 0 is logic 0, the “Mask BCR” bit in a message’s BC Control Word indicates the expected state of the BCR bit in the received RT status word. In this situation, whenever the BCR bit in the received RT status word differs from the state of the “Mask BCR” bit in the BC Control Word, a “Status Set” condition occurs and the BC generates a Status Set interrupt, if enabled.</p> <p>Table 10 summarizes the effects of BC configuration, message Control Word and RT Status Word on “Status Set” bit in the Block Status Word.</p>

Table 10. Effect of “Broadcast Command Received” RT Status Bit on “Status Set” Condition

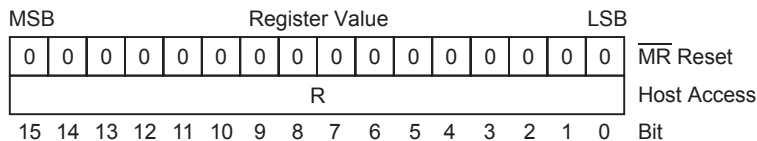
BC Configuration Register 0x0032 “BCR Mask Enable” bit 0	Message Control Word “Mask BCR” bit 5	Received BCR bit 4 in the Remote Terminal Status Word	Resultant Block Status Word “Status Set” bit 11
0	0	0	0
0	0	1	1
0	1	0	1
0	1	1	0
1	0	0	0
1	0	1	1
1	1	X	0

11.2. Start Address Register for Bus Controller (BC) Instruction List (0x0033)



This 16-bit register is Read-Write and is fully maintained by the host. This register is cleared after \overline{MR} pin master reset. This register is initialized with the base address of the re-locatable BC Instruction List in device RAM.

11.3. Bus Controller (BC) Instruction List Pointer (0x0034)



This 16-bit register is Read-Only and is fully maintained by the device. When the BC is running, the user programming changes this pointer value indirectly, by executing a JMP op code. When the bus controller is enabled, setting BCSTRT bit 13 in the Master Configuration Register begins bus controller operation. The device copies the Instruction List base address from register 0x0033 into this register. This pointer references pairs of words in the BC instruction list. Each word pair is comprised of an op code word followed by a parameter word. Pointer update occurs just before execution of the next BC instruction list op code, after execution of the prior op code, and evaluation of its result-dependent outcome.

HI-6130, HI-6131

Bit No.	Mnemonic	R/W	Reset	Function										
15	BC RUN	R	0	<p>BC Run / $\overline{\text{Stop}}$</p> <p>This is a status bit, not a condition code. This bit indicates whether the BC is running or stopped. The bit is set to logic 1 when the BCSTRT bit 13 in the Master Configuration Register is asserted and the BCENA input pin and BCENA bit 12 in the Master Configuration Register 0x0000 are both logic 1.</p> <p>Once set, this bit resets to logic 0 if the BCENA input pin or BCENA register bit are reset to logic 0 by the host, or if the BC executes the HLT instruction, or if the BC executes an illegal op code. The “illegal op code” case will generate a BCTRAP interrupt, if enabled (see Section “11.15.3. Bus Controller (BC) Interrupt Output Enable Register (0x0014)” on page 97).</p>										
14 13	RETRY 1 RETRY 0	R	0	<p>Message Retry Status Bits.</p> <p>Bits 14-13 indicate the retry status of the most recent message the number of times message was retried:</p> <table border="1" style="margin-left: auto; margin-right: auto;"> <thead> <tr> <th style="text-align: center;">Bit 14:13</th> <th style="text-align: center;">Number of Message Re-tries</th> </tr> </thead> <tbody> <tr> <td style="text-align: center;">0-0</td> <td style="text-align: center;">0</td> </tr> <tr> <td style="text-align: center;">0-1</td> <td style="text-align: center;">1</td> </tr> <tr> <td style="text-align: center;">1-0</td> <td style="text-align: center;">2</td> </tr> <tr> <td style="text-align: center;">1-1</td> <td style="text-align: center;">not used</td> </tr> </tbody> </table>	Bit 14:13	Number of Message Re-tries	0-0	0	0-1	1	1-0	2	1-1	not used
Bit 14:13	Number of Message Re-tries													
0-0	0													
0-1	1													
1-0	2													
1-1	not used													
12	BADMSG	R	0	<p>Bad Message.</p> <p>This bit is logic 1 to indicate message format error, loopback test failure, or no response error for the last message.</p>										
11	MSTATSET	R	0	<p>Masked Status Set.</p> <p>This bit is set if one or more of the following conditions occurred during the last message:</p> <ul style="list-style-type: none"> • One or more of the Status Mask bits 14-9 are logic 0 in the BC Control Word, and the corresponding bits are logic 1 in the received RT Status Word. When BC Control Word “Reserved Bits Mask” bit 9 is logic 0, this Masked Status Set bit is set if any of the three Reserved bits are set in the received RT Status Word. • The BCR Mask Enable bit 0 is logic 0 in the BC Configuration Register 0x0032. Opposite logic states occur for the Mask BCR bit in the message BC Control Word and the Broadcast Command Received (BCR) bit in the received RT Status Word. • The BCR Mask Enable bit 0 is logic 1 in the BC Configuration Register 0x0032. Opposite logic states prevail for the Mask BCR bit in the message BC Control Word and the Broadcast Command Received (BCR) bit in the received RT Status Word. <p>Table 10 on page 89 shows how the Broadcast Command Received (BCR) bit in the received RT Status Word affects Masked Status Set.</p>										

HI-6130, HI-6131

<i>Bit No.</i>	<i>Mnemonic</i>	<i>R/W</i>	<i>Reset</i>	<i>Function</i>
10	GDBT	R	0	<p>Good Data Block Transfer.</p> <p>Indicating status for the last transmit-data message, this bit is set to logic 1 after completion of an error-free RT-to-BC transfer, RT-to-RT transfer, or transmit mode command with data. This bit is reset to logic 0 following any message in which error occurs. This bit is always logic 0 after completion of a BC-to-RT transfer, a receive mode command with data, or any mode command without data. This bit can be used to determine when the transmit portion of an RT-to-RT message was error-free: A Block Status Word for an RT-to-RT message having both the Error Flag and Good Data Block Transfer bits set indicates that the transmitting RT responded correctly, but an error was detected in the receiving RT portion of the message. This bit is not affected by the device loop back function.</p>
9	FMterr	R	0	<p>Format Error.</p> <p>This bit is logic 1 when the received data from the most recent message contains one or more violations of the MIL-STD-1553 message validation criteria, including sync, encoding, parity, bit count or word count errors.</p> <p>This bit is also set if the received Status Word from the responding RT contains incorrect RT address bits 15:10.</p>
8	NORESP	R	0	<p>No Response Error.</p> <p>This bit is set to logic 1 when an RT fails to respond to a command, or responds later than the BC No Response Timeout time. The No Response Timeout delay is programmed using BC Timeout Select bits 15-14 in the BC Configuration Register 0x0032.</p>
7 - 2	GP7 - GP2	R	0	<p>General Purpose Flags 7-2.</p> <p>Interpretation of these flag bits is user defined. These bits are set cleared or toggled by the host, through use of the BC General Purpose Flag Register, or by the BC, through use of the FLG instruction op code.</p>
1	EQ / GP1	R	0	<p>Equal / General Purpose Flag 1.</p> <p>This flag bit is manipulated using the same methods as General Purpose Flags 7-2, or may be set or cleared by two BC instruction op codes, Compare to Frame Time Counter (CFT) or Compare to Message Time Counter (CMT).</p>
0	LT / GP0	R	0	<p>Less Than / General Purpose Flag 0</p> <p>This flag bit is manipulated using the same methods as General Purpose Flags 7-2, or may be set or cleared by two BC instruction op codes, Compare to Frame Time Counter (CFT) or Compared to Message Time Counter (CMT).</p>

11.7. Bus Controller (BC) General Purpose Flag Register (Write 0x0037)

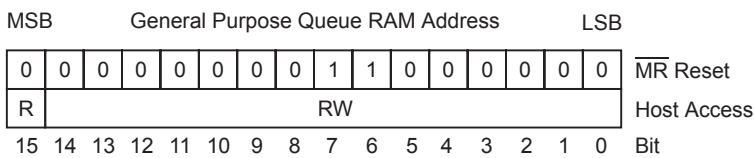


Sharing the same register address as the Read-Only BC Condition Code Register, this 16-bit register is Write-Only. This register is written by the host to set, clear or toggle any combination of the 8 general-purpose flags 7-0 in the BC Condition Code Register. When this register is written, general-purpose flags are modified. Reading register address 0x0037 returns the value in the BC Condition Code Register, containing the modified GP flag bits (see Section 11.6).

Each general-purpose flag in the BC Condition Code Register is mirrored twice in the General Purpose Flag Register, once in the upper byte and once in the lower byte. Bits asserted in the lower byte set the corresponding GP flag bits in the BC Condition Code Register to 1. Bits asserted in the upper byte clear the corresponding GP flag bits in the BC Condition Code Register to 0. Bits asserted in both the lower and upper bytes for a specific GP flag toggles (inverts) the corresponding GP flag bit in the BC Condition Code Register. When both bits are written to logic 0 state for a specific GP flag bit, no change occurs for that GP flag bit. The FLG instruction op code operates similarly, as shown in the diagram in Figure 5. **Writes to this register have no effect unless the BC is already running.** The BCENA input pin must be high and BCENA bit 12 in Master Configuration register 0x0000 must have previously been written high.

Bit No.	Mnemonic	R/W	Reset	Function
15 – 8	CLEAR GP7 – GP0	W	0	Clear General Purpose Flag 7-0. Bits asserted in the upper byte clear the corresponding GP flag bits in the BC Condition Code Register to 0.
7 – 0	SET GP7 – GP0	W	0	Set General Purpose Flag 7-0. Bits asserted in the lower byte set the corresponding GP flag bits in the BC Condition Code Register to 1. Bits asserted in both the lower and upper bytes for GPx toggles that GP flag bit in the BC Condition Code Register.

11.8. Bus Controller (BC) General Purpose Queue Pointer Register (0x0038)



This register contains 0x00C0 after \overline{MR} pin master reset. The initialized value represents the base address for the 64-word BC General Purpose Queue. The host can overwrite the default 0x00C0 value, but low order bits 5-0 and bit 15 must equal logic 0 for the initialized value.

The general purpose queue provides a way for the Bus Controller message sequencer to convey various information to the external host. The BC instruction set includes op codes that push data values onto this queue, including immediate data values, the Block Status Word from the most recent message, the Time Tag Register count, or the contents of a specified memory address.

11.15. Bus Controller Interrupt Registers and Their Use

Section 9.4 on page 39 through Section 9.6 describe how the host uses three Hardware Interrupt registers, the Interrupt Log Buffer and the Interrupt Count & Log Address Register to manage interrupts. When the Bus Controller is enabled, three additional registers are dedicated to Bus Controller interrupts. Comparable to the Hardware Interrupt register triplet, the Bus Controller has

- A BC Interrupt Enable Register to enable and disable interrupts
- A BC Pending Interrupt Register to capture the occurrence of enabled interrupts
- A BC Interrupt Output Enable Register to enable $\overline{\text{IRQ}}$ output to host, for pending enabled interrupts

Each individual bit in all three registers is mapped to the same interrupt-causing event when the corresponding interrupt condition is enabled. Numerous interrupt options are available for the BC. At initialization, bits are set in the BC Interrupt Enable register to identify the interrupt-causing events for the BC which are heeded by the HI-613x. Most Bus Controller applications only use a subset of available BC interrupt options. Interrupt-causing events are ignored when their corresponding bits are reset in the BC Interrupt Enable Register. Setting an Interrupt Enable register bit from 0 to 1 does not trigger interrupt recognition for events that occurred while the bit was zero.

Whenever a Bus Controller interrupt event occurs (and the corresponding bit is already set in the BC Interrupt Enable Register), these actions occur:

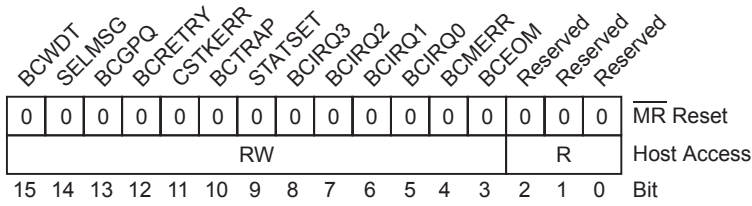
- The Interrupt Log Buffer is updated.
- A bit corresponding to the interrupt type is set in the BC Pending Interrupt Register. The type bit is logically-ORed with the preexisting register value, retaining bits for prior, unserviced BC interrupts.
- BC Interrupt Pending (BCIP) bit 0 is set in the Hardware Pending Interrupt Register. The BCIP bit is logically-ORed with the preexisting register value, retaining bits for unserviced hardware interrupts and the preexisting status of the MTIP and RTIP (Bus Monitor and RT) interrupt pending bits.
- If the matching bit is already set in the BC Interrupt Output Enable Register, an $\overline{\text{IRQ}}$ output occurs.

If the matching bit in the BC Interrupt Output Enable Register was not already set (i.e., low priority polled interrupt), the host can poll the BC Pending Interrupt Register to detect the occurrence of BC interrupts, indicated by non-zero value. Reading the BC Pending Interrupt Register automatically clears it to 0x0000.

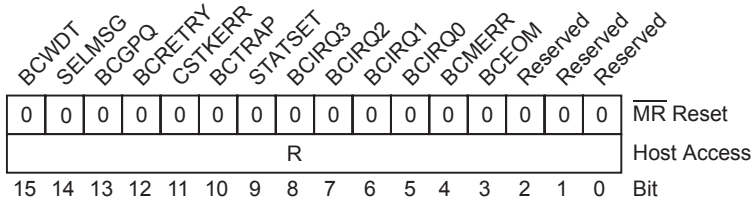
A single $\overline{\text{IRQ}}$ host interrupt output signal is shared by all enabled interrupt conditions having bits set in the four Interrupt Output Enable registers (hardware, BC, RT and SMT or IMT). Multiple interrupt-causing events can occur simultaneously, so single or simultaneous interrupt events can assert the $\overline{\text{IRQ}}$ host interrupt output.

When the host receives an $\overline{\text{IRQ}}$ signal from the device, it identifies the event(s) that triggered the interrupt. Section 9.4 describes two methods for identifying the interrupt source(s). One scheme uses the three low order bits in the Hardware Pending Interrupt Register to indicate when BC, RT, SMT and/or IMT interrupts occur. When BCIP (BC Interrupt Pending) bit 0 is set in the Hardware Pending Interrupt Register, the BC Pending Interrupt Register contains a nonzero value and may be read next to identify the specific BC interrupt event(s). Or, the host can directly interrogate the Interrupt Count & Log Address Register, followed by the Interrupt Log Buffer. Data sheet section 9.4 has a detailed description.

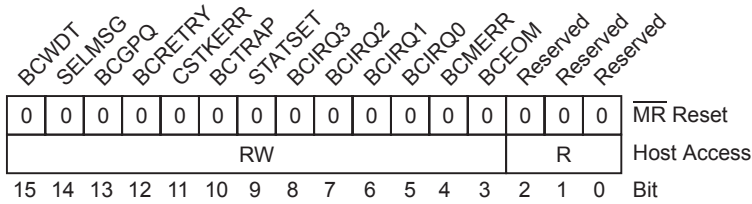
11.15.1. Bus Controller (BC) Interrupt Enable Register (0x0010)



11.15.2. Bus Controller (BC) Pending Interrupt Register (0x0007)



11.15.3. Bus Controller (BC) Interrupt Output Enable Register (0x0014)



Three registers govern BC interrupt behavior: the BC Interrupt Enable Register, the BC Pending Interrupt Register and the BC Interrupt Output Enable Register. When a bit is set in the BC Interrupt Enable Register, the corresponding BC interrupt is enabled. When a bit is reset in this register, the corresponding interrupt event is unconditionally disregarded. Setting a register bit from 0 to 1 does not trigger interrupt recognition for events that occurred while the bit was zero.

When an enabled BC interrupt event occurs, the corresponding bit is set in the BC Pending Interrupt Register and the Interrupt Log Buffer is updated. To simplify interrupt decoding, BCIP bit 0 in the Hardware Pending Interrupt Register is also set whenever a message sets at least one bit in the BC Pending Interrupt Register.

If the corresponding bit is set in the BC Interrupt Output Enable Register, the \overline{IRQ} output is asserted at message completion. The BC Interrupt Output Enable Register establishes two priority levels: high priority interrupts generate an \overline{IRQ} output while low priority interrupts do not. Both priority levels update the Pending Interrupt Register and Interrupt Log Buffer. The host can detect low priority (masked) interrupts by polling Pending Interrupt registers.

The table below describes common bits in all three BC interrupt registers.

HI-6130, HI-6131

Bit No.	Mnemonic	Function
15	BCWDT	BC Watchdog Timer Interrupt. The BC Frame Timer expired.
14	SELMSG	BC Selected Message Interrupt. The completion of a MIL-STD-1553 message that has bit 4 set (EOM) in the message block Control Word.
13	BCGPQ	BC General Purpose Queue Rollover Interrupt. The 64-word circular BC General Purpose Queue Pointer rolled over to its base address value.
12	BCRETRY	BC Retry Interrupt. The occurrence of a retried message by the BC. If enabled, the interrupt will occur after the last enabled message retry (one or two) regardless of the outcome, successful or unsuccessful.
11	CSTKERR	BC Call Stack Pointer Error Interrupt. The BC subroutine stack depth was violated due to an overflow or underflow condition. Call stack level is incremented each time a BC "subroutine call" op code (CAL) is executed. Call stack level is decremented each time a BC "subroutine return" op code (RTN) is executed. The allowed range for the call stack level is 0-7. An interrupt occurs when a CAL op code executes when stack level is 7. An interrupt also occurs when a RTN op code executes when stack level is 0.
10	BCTRAP	BC Trap Interrupt. Two conditions can assert this interrupt: The BC fetched an illegal op code. The BC operation stops when the current 1553 message is complete. An illegal op code is either undefined, fails parity check, and/or has the wrong value for bits 9-5. When this occurs, BCRUN bit 15 resets to logic 0 in the BC Condition Code and GP Flag register 0x0037. When the CHKFMT bit 13 is set in the BC Configuration Register, the BC Control Word message format bits 2-0 (mode command, RT-RT and broadcast message flags) are compared to the stored value(s) for the message Command Word(s) following the Control Word in the Message Block. When mismatch occurs between Control Word format bits and Command Word(s), the BCTRAP interrupt is asserted, if enabled. BC instruction list execution continues, so this condition can be differentiated from illegal op code because BCRUN bit 15 remains high in the BC Condition Code and GP Flag register, 0x0037. For mode command or broadcast mismatch, the stored message block Command Word(s) are transmitted. For RT-RT format mismatch, RT-RT bit 1 in the Control Word has priority, determining whether the message block is treated as an 8- or 16-word entity. For RT-RT format mismatch, message failure is likely for this message or the next message block , since the message block boundary is misplaced. The CHKFMT option bit detects BC programming problems in the development phase. The option is normally disabled in the field.

HI-6130, HI-6131

<i>Bit No.</i>	<i>Mnemonic</i>	<i>Function</i>
9	STATSET	<p>BC Status Set Interrupt.</p> <p>The BC received an RT Status Word containing the wrong RT address field, or having an unexpected bit value for at least one of the eight non-reserved status bits. The expected value for these bits (excluding the BCR bit) is usually 0.</p> <p>The BCR (broadcast command received) bit can have an expected value of 1 when BCR Mask Enable bit in the BC Configuration Register is logic 0. In this case, the Mask Broadcast bit in the message block Control Word shows the expected value of the Status Word BCR bit. If the Control Word's Mask Broadcast bit is logic 1, the expected value of BCR in the RT Status Word is logic 1.</p>
8 – 5	BCIRQ3:0	<p>BC Interrupt Request Bits 3-0.</p> <p>When this 4-bit field is nonzero, the BC executed an IRQ op code. The value of bits 8:5 will equal the value of the 4 LSBs in the parameter associated with the IRQ op code. The user may define the 4- bit pattern to suit application requirements.</p>
4	BCMERR	<p>BC Message Error Interrupt.</p> <p>Any one of the following five conditions will assert this interrupt if enabled</p> <ol style="list-style-type: none"> 1. A non-broadcast message ended with RT Status Word containing the ME Message Error status bit set. 2. RT response time-out. 3. BC loopback failure. 4. Incorrect address in RT status word. 5. Minimum gap time violated (if enabled).
3	BCEOM	<p>BC End of Message Interrupt.</p> <p>The successful completion of a message, regardless of validity.</p>
2 – 0	Reserved	Bits 2-0 cannot be written, and read back 000.

12. SIMPLE MONITOR TERMINAL (SMT)

The HI-613x can operate as an autonomous MIL-STD-1553 Bus Monitor, requiring minimal host support. Two fundamentally different monitor modes are offered. Each of these modes has a separate data sheet section describing registers used and operational details. Information regarding the alternative IRIG-106 Monitor Terminal (IMT) begins in Section 14.

12.1. Overview

Simple Monitor Terminal (SMT) Mode has its own dedicated Time Tag counter, and can use either a 16- or 48-bit Time Tag scheme. The SMT monitor utilizes two circular buffers in RAM: a Command Buffer and a Data Buffer. Each recorded MIL-STD-1553 message appends a fixed length entry into the Command Buffer and a variable length entry into the Data Buffer.

The SMT message records a fixed length “message block” in the Command Buffer for each MIL-STD-1553 message. The advantage of fixed length Command Buffer message blocks is that the host can quickly jump to the block start address for any message.

The number of words added to the Data Buffer for each message depends on the MIL-STD-1553 message type, ranging from zero (broadcast mode command without data) to 35 words (for a 32 data word RT-RT command).

In SMT mode, both circular buffers are fully utilized for recording message data. Unlike IMT mode, there is no option for generating a data header or data trailer. SMT monitor mode allows selective monitoring of MIL-STD-1553 messages, based on the address, subaddress and T/R status in each monitored Command Word, or can monitor all messages, when preferred. The SMT monitor offers flexible interrupt options.

In Master Configuration Register 0x0000, MTENA bit 8 is logically ANDed with the MTRUN input pin to enable the SMT monitor. If the MTRUN input pin or Master Configuration Register bit 8 equals logic 0, Bus Monitor operation is disabled. When the pin and Master Configuration Register MTENA bit 8 are both logic 1, the Bus Monitor is enabled. Operation commences when the receiver first decodes MIL-STD-1553 activity meeting the “start record” criteria selected by bits 6-5 in the MT Configuration Register 0x0029. If monitor operation is underway when Master Configuration Register MTENA bit 8 or MTRUN input pin becomes logic 0, monitor operation stops immediately. If a message is currently in progress, the MT will not record the remaining words received and will log a Word Count error if not at the end of message.

The HI-613x is configured for SMT operation by writing bits 1-0 in the MT Configuration Register 0x0029.

When MT Configuration Register bits 1-0 equal 01, the SMT operates with 16-bit Time Tag resolution and each recorded MIL-STD-1553 message adds a four word entry in the Circular Command Buffer. This is summarized in Table 11.

Table 11. Message Block in Circular Command Buffer for SMT Monitor using 16-bit Time Tag

<i>Message Word Block</i>	<i>Word Name</i>	<i>Word Function when using 16-bit time tag</i>
Word 3	Message Command Word	Message Command Word. The MIL-STD-1553 Command Word that initiated the message. For an RT-RT message, Receive Command Word 1 is stored here; Transmit Command Word 2 is the first stored word in the Message Data Block.

HI-6130, HI-6131

<i>Message Word Block</i>	<i>Word Name</i>	<i>Word Function when using 16-bit time tag</i>
Word 2	Data Block Pointer	Starting address in the Data Buffer for the corresponding message data block.
Word 1	Message Time Stamp Bits 15 ~ 0	Sixteen bit message time stamp. Word 0 is the first word in the Command Buffer entry for each message.
Word 0	Block Status Word	Message Block Status Word, defined in Section 12.2. Word 0 is the first word in the Command Buffer entry for each message.

When MT Configuration Register bits 1-0 equal 11, the Simple Message Monitor operates with 48-bit Time Tag resolution. Each MIL-STD-1553 message adds an 8-word entry in the Circular Command Buffer. This is summarized in Table 12. The expanded message block accommodates two additional Time Tag words, a Message Length word and a Response Time word not found when using 16-bit Time tag resolution.

Table 12. Message Block in Circular Command Buffer for SMT Monitor using 48-bit Time Tag

<i>Message Word Block</i>	<i>Word Name</i>	<i>Word Function when using 48-bit time tag</i>
Word 7	Message Command Word	Message Command Word. The MIL-STD-1553 Command Word that initiated the message. For an RT-RT message, Receive Command Word 1 is stored here; Transmit Command Word 2 is the first stored word in the Message Data Block.
Word 6	Data Block Pointer	Starting address in the Data Buffer for the corresponding message data block.
Word 5	Message Length Word (bytes)	The Message Length Word indicates the total number of bytes of the 1553 message including all command words and status words. The range is 2 to 72 bytes, corresponding to 1 to 36 16-bit words stored. Note: Since the Message Command Word is stored within the Message Block itself, the number of bytes to read from the Message Data Block should be reduced by 2 bytes. That is, the number of bytes to read from the Message Data Block = Message Length Word – 2.

HI-6130, HI-6131

Message Word Block	Word Name	Word Function when using 48-bit time tag
Word 4	Response Time Word	<p>The Response Time Word contains two 8-bit fields:</p> <ul style="list-style-type: none"> • Bits 15 ~ 8 contains GAP2 • Bits 7 ~ 0 contains GAP1 <p>All GAP values are measured from mid-parity zero crossing of the preceding word, to the mid-sync zero crossing of the Status Word (the gap “dead time” interval plus 2 μs). Time resolution is 100 ns per LSB, so the maximum indicated gap time for GAP1 or GAP2 is 25.5 μs.</p> <p>For RT-RT messages, the GAP1 byte indicates transmit RT response time, and the GAP2 byte indicates received RT response time.</p> <p>For all other messages, the GAP1 byte indicates the only RT response time, and the GAP2 byte reads 0x00.</p>
Word 3	Block Status Word	Message Block Status Word, defined in Section 12.2.
Word 2	Message Time Stamp Bits 47 ~ 32	Upper 16-bit word of message 48-bit time stamp.
Word 1	Message Time Stamp Bits 31 ~ 16	Middle 16-bit word of message 48-bit time stamp.
Word 0	Message Time Stamp Bits 15 ~ 0	<p>Lower 16-bit word of message 48-bit time stamp.</p> <p>Word 0 is the first word in the Command Buffer entry for each message.</p>

The Circular Command Buffer address range is bounded by the values in Address List Words 0 and 2. The Circular Data Buffer address range is bounded by the values in Address List Words 4 and 6. The “Next Address” Words 1 and 5 must be initialized by the host for the first data written after reset, usually to match the Word 0 and Word 4 values respectively. Thereafter, these values are maintained by the device each time a new MIL-STD-1553 message is recorded.

Two optional Buffer address interrupts are offered. When enabled, a Command or Data Buffer Address Interrupt occurs whenever the matching RAM address in the Buffer is written. The Address List contains the address values for these optional “buffer utilization” interrupts.

For SMT mode, the 8-word Monitor Address List is defined in Table 13.

Table 13. Monitor Address List for SMT Mode

Address List Word	Word Name	Description
Word 7	Data Buffer Interrupt Address	<p>Host initialized with a RAM address value if this interrupt is enabled.</p> <p>If enabled, an interrupt occurs when the matching RAM address is written.</p> <p>Address must occur within the range bounded by Words 4 and 6.</p>

HI-6130, HI-6131

<i>Address List Word</i>	<i>Word Name</i>	<i>Description</i>
Word 6	Data Buffer End Address	Host initialized, defines SMT Data Buffer upper (rollover) address.
Word 5	Data Buffer Next Address	Must be host initialized , usually to match SMT Data Buffer Start Address. Updated by device each time a new MIL-STD-1553 message is recorded. This value advances through the address range in circular buffer fashion.
Word 4	Data Buffer Start Address	Host initialized, defines SMT Data Buffer lower address boundary.
Word 3	Command Buffer Interrupt Address	Host initialized with a RAM address value if this interrupt is enabled. If enabled, an interrupt occurs when the matching RAM address is written. Address must occur within the range bounded by Words 0 and 2.
Word 2	Command Buffer End Address	Host initialized, defines SMT Circular Command Buffer upper (rollover) address.
Word 1	Command Buffer Next Address	Must be host initialized , usually to match Command Buffer Start Address. Updated by device each time a new MIL-STD-1553 message is recorded. This value advances through the address range in circular buffer fashion.
Word 0	Command Buffer Start Address	Host initialized, defines SMT Circular Command Buffer lower address boundary. Word 0 occurs at the Address List base address in register 0x002F.

For each monitored MIL-STD-1553 command, the written Command Buffer entry is fixed at 4 or 8 words, depending on selected Time Tag resolution. Depending on MIL-STD-1553 message type, the written Data Buffer entry varies in length, ranging from zero words (for broadcast mode code commands without data) to 35 words (for an RT-to-RT message with 32 data words). Simple Monitor Terminal Data Storage is summarized in Figure 7.

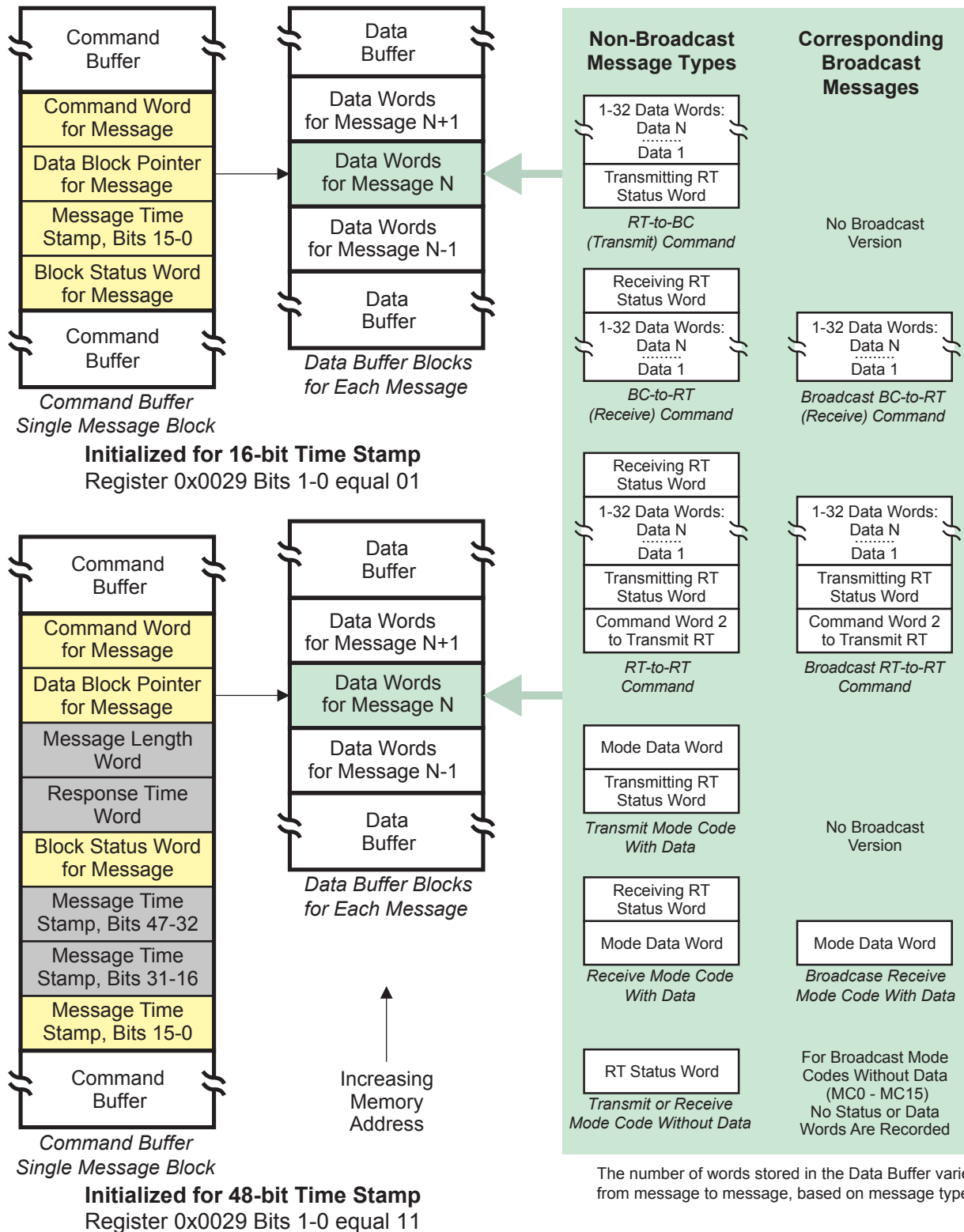
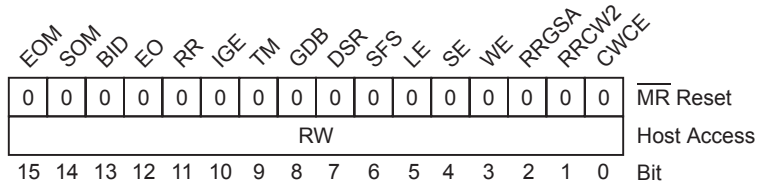


Figure 7. Simple Monitor Terminal (SMT) Data Storage

12.2. SMT Block Status Word (BSW) Description

The SMT bus monitor stores a Block Status Word in the Circular Command Buffer for each monitored MIL-STD-1553 message. This word provides information regarding message status, the bus on which the message occurred, whether errors occurred during the message, and the type of occurring errors. The Block Status Word for SMT mode is defined as follows:



SMT Block Status Word
with Extended Status Bits Enabled
(Not IRIG-106 Chapter 10 Compliant)

Bit No.	Mnemonic	R/W	Reset	Function
15	EOM	R/W	0	End of Message. Bit 15 is set upon completion of a monitored message, whether or not errors occurred. When EOM is set, SOM bit 14 is concurrently reset.
14	SOM	R/W	0	Start of Message. Bit 14 is set to logic 1 approximately 3-4 μ s after completion of a valid Command Word, and is reset to logic 0 at the end of the message. If the monitor uses message filtering, SOM is only set for monitored messages.
13	BID	R/W	0	Bus ID (Bus B / $\overline{\text{Bus A}}$). Bit 13 indicates the bus ID for the message. This bit is logic 0 for a message occurring on Bus A. This bit is logic 1 for a message occurring on Bus B.

HI-6130, HI-6131

Bit No.	Mnemonic	R/W	Reset	Function
12	EO	R/W	0	<p>Error Occurred Flag.</p> <p>This bit indicates a message error was encountered. This bit is set when one or more of the following conditions are true (logical-OR):</p> <ul style="list-style-type: none"> • an unfinished message is superseded by another valid command • Bit 10 Illegal Gap Error is set • Bit 9 Response Timeout is set • Bit 5 Length (Word Count) Error is set • Bit 4 Sync Type Error is set • Bit 3 Invalid Word Error is set • Bit 2 RT-RT Gap / Sync / Address Error is set • Bit 1 RT-RT Command Word 2 Error is set (except as noted) • Bit 0 Command Word Content Error is set (except as noted) <p>There are three exceptions where register bit 0 or 1 is set without affecting bit 12 state:</p> <p>Bit 1 RT-RT Command Word 2 Errors that do not assert bit 12</p> <ul style="list-style-type: none"> • RT-RT Transmit Command Word 2 subaddress field equals 00000 or 11111 (mode code command indicated) • RT-RT Transmit Command Word 2 has the same RT Address as Receive Command Word 1 <p>Bit 0 Command Word Content Error that does not assert bit 12</p> <ul style="list-style-type: none"> • Undefined receive mode code 0~15 decimal.
11	RR	R/W	0	<p>RT-to-RT Transfer</p> <p>When logic 1, bit 11 indicates an RT-to-RT message, beginning with two contiguous Command Words.</p>
10	IGE	R/W	0	<p>Illegal Gap Error</p> <p>When logic 1, bit 10 indicates an illegal gap occurred on the bus, other than Response Timeout.</p>
9	TM	R/W	0	<p>Response Timeout</p> <p>When logic 1, bit 9 indicates a response timeout occurred. This bit is set if an RT Status Word associated with this message failed to arrive within the response time interval specified by bits 15-14 in the MT Configuration Register 0x0029.</p>
8	GDB	R/W	0	<p>Good Data Block Transfer</p> <p>Bit 8 is set to logic 1 following completion of a valid, error-free message. This bit is reset to logic 0 following completion of a message in which error occurred. If an RT responds to a transmit command with Busy status and does not transmit the commanded data words, this is not considered a message error that causes GDB reset.</p>

HI-6130, HI-6131

Bit No.	Mnemonic	R/W	Reset	Function
7	DSR	R/W	0	Data Buffer Rollover Bit 7 is logic 1 to indicate that this message overran the monitor Data Buffer end address, causing the storage pointer to roll over to the base address.
6	SFS	R/W	0	Status Flag Set Bit 6 is logic 1 when a status bit was set in an RT Status Word response.
5	LE	R/W	0	Word Count (Length) Error Bit 5 indicates that the number of data words transmitted by the BC or RT differs from the Word Count specified in the Command Word. An RT Status Word with the Busy bit set will not cause Word Count Error. A transmit command with Response Timeout will not cause Word Count Error.
4	SE	R/W	0	Sync Type Error Bit 4 is logic 1 to indicate that a BC transmitted data sync with a Command Word, or a command / status sync occurred with Data Word, or an RT responded with data sync in its Status Word and/or command/ status sync in a Data Word.
3	WE	R/W	0	Invalid Word Error (WE) Bit 3 is logic 1 indicate on invalid word error occurred. This includes Manchester decoding errors in the sync pattern or word bits, or the wrong number of bits in the word, or parity error.
2	RRGSA	R/W	0	RT-to-RT Gap/Sync/Address Error (RRGSA) Bit 2 is logic 1 if one or more of the following RT-RT message conditions occur: <ul style="list-style-type: none"> • MT Gap Check is enabled (bit 12 equals 1 in register 0x0029) and an RT Status Word is received having a response time less than 4μs, per MIL-STD-1553B (mid-parity to mid-sync). In other words, the bus “dead time” was less than 2μs. • One of the RTs responds with an invalid Status Word, having a sync error, a Manchester encoding error, bit count error and/or parity error • One of the RT Status Words contains an RT Address that differs from the RT Address in the corresponding Command Word.
1	RRCW2	R/W	0	RT-to-RT Command Word 2 Error (RRCW2) Bit 1 is logic 1 if an RT-to-RT message occurs (two contiguous Command Words) with one or more of the following illogical conditions: <ul style="list-style-type: none"> • Transmit Command Word 2 T\bar{R} bit equals 0 (receive) • Transmit Command Word 2 subaddress field equals 00000 or 11111 (mode command indicated) • Transmit Command Word 2 has the same RT Address as Receive Command Word 1 • Transmit Command Word 2 has sync error

HI-6130, HI-6131

Bit No.	Mnemonic	R/W	Reset	Function
0	CWCE	R/W	0	<p>Command Word Content Error (CWCE)</p> <p>Bit 0 is logic 1 if a received Command Word violates one or more MIL-STD-1553B requirements:</p> <ul style="list-style-type: none"> A non-mode code broadcast transmit Command Word occurred. (non-mode has 5-bit subaddress field equal to decimal 1~30) A receive mode code Command Word was received with mode code in the range of 0~15 decimal (undefined) A broadcast transmit mode code command occurred having a mode code value for which broadcast is not allowed (mode code = decimal 0, 2, 16, 18 or 19)

12.3. SMT Message Filter Table

The Simple Monitor Terminal can select messages for monitoring through the use of a 128-word MT Filter Table, located at fixed RAM address 0x0100. When the table bit corresponding to a new message Command Word is logic 1, that message is ignored by the monitor. If the table bit is logic 0, that message is recorded.

After \overline{MR} master reset, 100% of MIL-STD-1553 messages are monitored, since the entire table address range 0x0100 through 0x017F inclusive is 0x0000. The result is that every valid Command Word, received on an idle bus, marks the start of a new MIL-STD-1553 message recorded by the monitor. The Message Filter Table is addressed using three fields in the received Command Word: the 5-bit RT Address field, the T/\overline{R} Transmit/Receive bit, and the MSB of the 5-bit Subaddress field. This is illustrated in Figure 8.

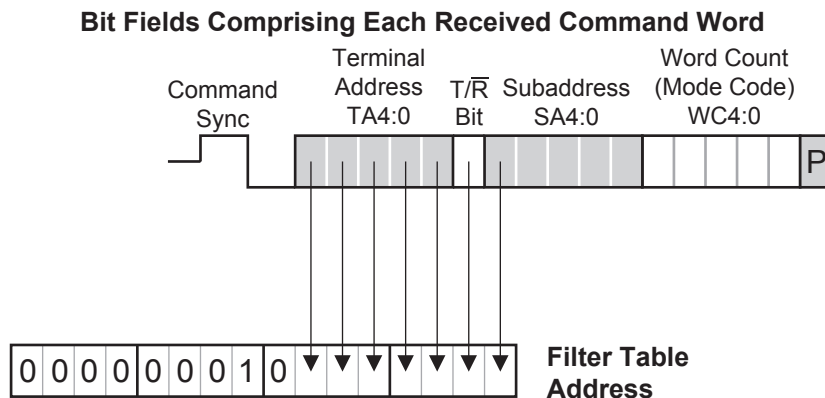


Figure 8. Deriving the Monitor Filter Table Address from the Received Command Word

HI-6130, HI-6131

Each RT Address from 0 to 31 decimal has four 16-bit table words: two words enable/disable individual Receive Subaddresses, two more words enable/disable individual Transmit Subaddresses. The first four table words apply to Subaddress 0 and are illustrated in Table 14. This 4-word pattern repeats for all 32 Subaddresses, 0-31 decimal.

Table 14. SMT Message Filter Table

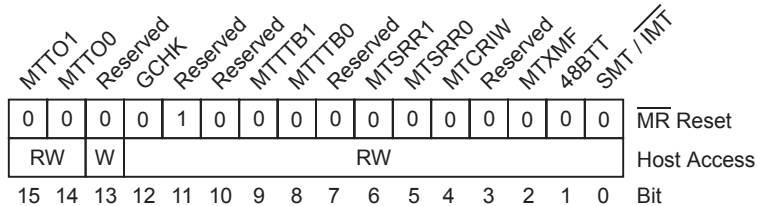
Filter Table addresses 0x017C - 0x017F																RT Address 31 Subaddresses (4 words)																	
Filter Table addresses 0x0178 - 0x017B																RT Address 30 Subaddresses (4 words)																	
.																.																	
.																.																	
Filter Table addresses 0x0108 - 0x010B																RT Address 2 Subaddresses (4 words)																	
Filter Table addresses 0x0104 - 0x0107																RT Address 1 Subaddresses (4 words)																	
Filter Table address 0x0103																RT Address 0, Transmit Subaddresses 31 to 16																	
Word Bit #	15	14	13	12	11	10	9	8	7	6	5	4	3	2	1	0	Transmit SA	31	30	29	28	27	26	25	24	23	22	21	20	19	18	17	16
Filter Table address 0x0102																RT Address 0, Transmit Subaddresses 15 to 0																	
Word Bit #	15	14	13	12	11	10	9	8	7	6	5	4	3	2	1	0	Transmit SA	15	14	13	12	11	10	9	8	7	6	5	4	3	2	1	0
Filter Table address 0x0101																RT Address 0, Receive Subaddresses 31 to 16																	
Word Bit #	15	14	13	12	11	10	9	8	7	6	5	4	3	2	1	0	Receive SA	31	30	29	28	27	26	25	24	23	22	21	20	19	18	17	16
Filter Table address 0x0100																RT Address 0, Receive Subaddresses 15 to 0																	
Word Bit #	15	14	13	12	11	10	9	8	7	6	5	4	3	2	1	0	Receive SA	15	14	13	12	11	10	9	8	7	6	5	4	3	2	1	0

A subaddress message is monitored when the corresponding word bit equals logic 0. The message is not monitored when the bit equals 1.

13. SIMPLE MONITOR TERMINAL (SMT) REGISTER DESCRIPTION

In addition to the registers described here, a HI-6131 SMT Bus Monitor also utilizes one or more Memory Address Pointer registers (described in Section 9.11) for managing SPI read/write operations. This comment does not apply for parallel bus interface HI-6130 designs.

13.1. SMT Configuration Register (0x0029)



Bit No.	Mnemonic	R/W	Reset	Function																									
15 – 14	MTTO1:0	R/W	0	<p>MT Time Out Select.</p> <p>This 2-bit field selects the Monitor “no response” time-out delay from four available selections. Excluding RT-RT commands, the delay is measured from command word mid-parity bit to status word mid-sync.</p>																									
				<table border="1" style="width: 100%; border-collapse: collapse;"> <thead> <tr> <th style="text-align: center;">Bit 15:14</th> <th style="text-align: center;">Bus Dead Time</th> <th style="text-align: center;">Time Out (excludes RT-RT)</th> <th style="text-align: center;">RT-RT Bus Dead Time</th> <th style="text-align: center;">RT-RT Time Out</th> </tr> </thead> <tbody> <tr> <td style="text-align: center;">00</td> <td style="text-align: center;">16µs</td> <td style="text-align: center;">18µs</td> <td style="text-align: center;">19µs</td> <td style="text-align: center;">61µs</td> </tr> <tr> <td style="text-align: center;">01</td> <td style="text-align: center;">21µs</td> <td style="text-align: center;">23µs</td> <td style="text-align: center;">24µs</td> <td style="text-align: center;">66µs</td> </tr> <tr> <td style="text-align: center;">10</td> <td style="text-align: center;">80µs</td> <td style="text-align: center;">82µs</td> <td style="text-align: center;">80µs</td> <td style="text-align: center;">122µs</td> </tr> <tr> <td style="text-align: center;">11</td> <td style="text-align: center;">138µs</td> <td style="text-align: center;">140µs</td> <td style="text-align: center;">138µs</td> <td style="text-align: center;">180µs</td> </tr> </tbody> </table>	Bit 15:14	Bus Dead Time	Time Out (excludes RT-RT)	RT-RT Bus Dead Time	RT-RT Time Out	00	16µs	18µs	19µs	61µs	01	21µs	23µs	24µs	66µs	10	80µs	82µs	80µs	122µs	11	138µs	140µs	138µs	180µs
				Bit 15:14	Bus Dead Time	Time Out (excludes RT-RT)	RT-RT Bus Dead Time	RT-RT Time Out																					
				00	16µs	18µs	19µs	61µs																					
				01	21µs	23µs	24µs	66µs																					
10	80µs	82µs	80µs	122µs																									
11	138µs	140µs	138µs	180µs																									
<p>For RT-RT commands, time out delay is measured per Figure 8 in the RT Validation Test Plan, SAE AS4111. That is, from mid-parity of the receive command to mid-sync of the first received data word. This adds 40µs for the embedded transmit command word and transmit-RT status word within this interval.</p>																													
13	Reserved	W	0	<p>Bit 13 is not used by the bus monitor operating in SMT mode.</p> <p>Initialize this bit to logic 0.</p>																									
12	GCHK	R/W	0	<p>Gap Check.</p> <p>When this bit equals 1, the monitor evaluates inter-message gaps and RT response times for a minimum preceding bus dead time of 2 µs. This dead time corresponds to an inter-message gap of 4µs, measured per MIL-STD-1553, from mid-parity zero crossing of the preceding word, to mid-sync zero crossing of the following word. A minimum gap time violation results in a Format Error in the Block Status Word for the message.</p> <p>When this bit equals 0 (recommended), the monitor does not check for short inter-message gap times.</p>																									
11	Reserved	R/W	1	<p>Bit 11 is not used by the bus monitor operating in SMT mode.</p>																									

HI-6130, HI-6131

<i>Bit No.</i>	<i>Mnemonic</i>	<i>R/W</i>	<i>Reset</i>	<i>Function</i>	
10	Reserved	R/W	0	Bit 10 is not used by the bus monitor operating in SMT mode.	
9 – 8	MTTTB1:0	R/W	0	Monitor Time Tag Message Bit Select. This 2-bit field selects the bit within the MIL-STD-1553 message where time stamp occurs. Time stamp occurs at mid-bit transition:	
				<i>Bit 9:8</i>	<i>Time Tag Event</i>
				00	Last Bit of Last Word in Message
				01	First Bit of First (Command) Word in Message
				10	Last Bit of First (Command) Word in Message
				11	time tag disabled, stores time tag = 0
				For options 00 and 10, the “Last Bit” precedes the word’s parity bit. For option 01, the “First Bit” occurs 0.5 μ s after command sync. While “First Word” generally denotes a command word, message recording can begin with a data word when register bit 5 equals 1.	
7	Reserved	R/W	0	Bit 7 is not used by the bus monitor operating in SMT mode. Initialize this bit to logic 0.	

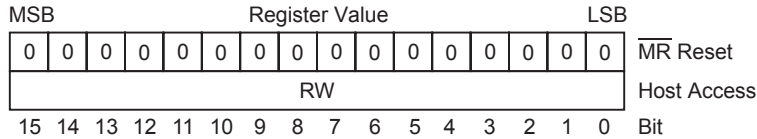
HI-6130, HI-6131

Bit No.	Mnemonic	R/W	Reset	Function
6 – 5	MTSRR1:0	R/W	0	<p>MT Start-Record Requirement 1:0.</p> <p>When register bits 6-5 equal 00, the MT starts recording a new MIL-STD-1553 message when a properly encoded, complete MIL-STD-1553 word with command sync is decoded: The command sync is followed by 16 properly encoded data bits plus a 17th parity bit expressing odd parity. No data is recorded until this condition is met. This is the usual setting. (default setting)</p> <p>When register bits 6-5 equal 01, the MT starts recording a new MIL-STD-1553 message when a properly encoded, complete MIL-STD-1553 word with command sync or data sync is decoded. The properly encoded command sync (or data sync) is followed by 16 properly encoded data bits plus a 17th parity bit expressing odd parity. If recording begins with data sync, the Sync Error flag will be set in the Block Status Word.</p> <p>When register bits 6-5 equal 10, the MT starts recording a new MIL-STD-1553 message upon detection of a properly encoded command sync with two contiguous data bits. If the properly encoded command sync with two contiguous data bits does not result in a valid command word, the Invalid Word Error is set in the Block Status Word. This selection begins recording for complete MIL-STD-1553 command words as well as for command word fragments, or command words with bad parity. Under some circumstances, this record option might be helpful for debugging MIL-STD-1553 communication failure.</p> <p>When register bits 6-5 equal 11, the MT starts recording new bus activity upon detection of any properly encoded sync (command or data) with two contiguous data bits. This selection begins recording for complete MIL-STD-1553 command or data words as well as for word fragments, or words with bad parity. If the properly encoded sync with two contiguous data bits does not result in a valid Manchester II word, the Invalid Word Error is set in the Block Status Word. If recording begins with data sync, the Sync Error flag will be set in the Block Status Word. Under some circumstances, this record option might be helpful for debugging MIL-STD-1553 communication failure.</p>
4	MTCRIW	R/W	0	<p>MT Continue Recording After Invalid Word.</p> <p>When bit 4 equals 0, the MT stops recording an incomplete message when an invalid MIL-STD-1553 word is decoded. The invalid word is not stored, and the MT awaits word detection per register bits 6-5 before the next MIL-STD-1553 message is recorded. (default)</p> <p>When bit 4 equals 1, the MT continues recording an incomplete message when an invalid MIL-STD-1553 word is decoded. The invalid word is stored and the MT continues monitoring the message until completion or time-out occurs.</p>
3	Reserved	R/W	0	<p>Bit 3 is not used by the bus monitor operating in SMT mode.</p> <p>Initialize this bit to logic 0.</p>

HI-6130, HI-6131

Register(s) into the SMT Time Tag counter(s). Finally, the SMT Time Tag Match Register(s) provide capability for host interrupts when the time tag count reaches any predetermined 16- or 48-bit value. For further information, refer to the description of the Time Tag Counter Configuration Register 0x0039.

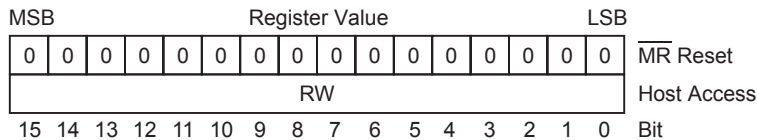
13.8. SMT Bus Monitor Time Tag Utility Register (0x003D)



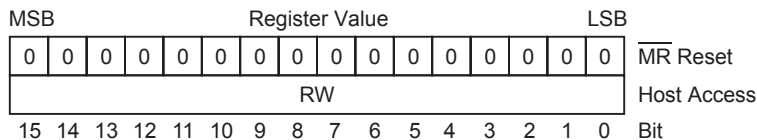
When MT Configuration Register bits 1-0 equal 01, the Simple Message Monitor operates with 16-bit Time Tag resolution and register 0x003D is the only Time Tag Utility register needed.

When MT Configuration Register bits 1-0 equal 11, the Simple Message Monitor operates with 48-bit Time Tag resolution and “utility” operations require the above register plus two additional registers:

13.9. SMT Bus Monitor Time Tag Utility Mid Register (0x003E)



13.10. SMT Bus Monitor Time Tag Utility High Register (0x003F)



These registers are read-write and are cleared after $\overline{\text{MR}}$ pin Master Reset. This utility register triplet is used for simultaneously loading or reading a 16- or 48-bit value into or from the SMT Time Tag Counter. Please refer to the description for bits 15-14 in the Time Tag Counter Configuration Register 0x0039 in Section 9.10.

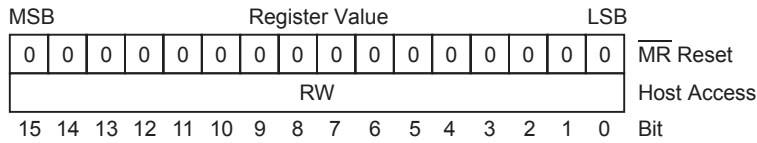
Loading a 16-bit or 48-bit value into the SMT Time Tag Count Register(s)

When loading or clearing Time Tag count, the 16-bit value in Time Tag Utility Register 0x003D is copied into SMT Time Tag Count register 0x003A. If configured for 48-bit time stamp operation, count bits 47-17 and count bits 31-16 are simultaneously copied from Time Tag Utility Registers 0x003F and 0x003E into SMT Time Tag Count Registers 0x003C and 0x003B respectively.

Capturing a 16-bit or 48-bit value from the SMT Time Tag Count Register(s)

When capturing Time Tag count, the 16-bit value in SMT Time Tag Count register 0x003A is copied into Time Tag Utility Register 0x003D. If configured for 48-bit time stamp operation, count bits 47-17 and count bits 31-16 in SMT Time Tag Count Registers 0x003C and 0x003B are simultaneously copied into Time Tag Utility Registers 0x003F and 0x003E respectively.

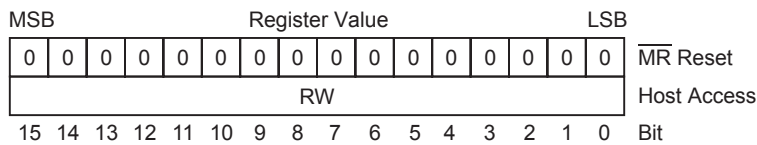
13.11. SMT Bus Monitor Time Tag Match Register (0x0040)



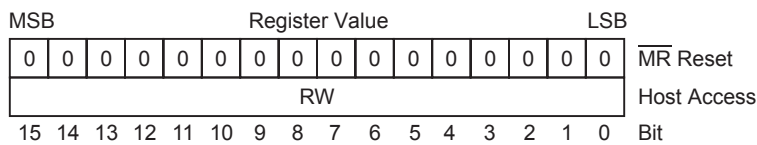
When MT Configuration Register bits 1-0 equal 01, the Simple Message Monitor operates with 16-bit Time Tag resolution and register 0x0040 is the only Time Tag match register needed.

When MT Configuration Register bits 1-0 equal 11, the Simple Message Monitor operates with 48-bit Time Tag resolution and time tag matching operations require the above register plus two additional registers:

13.12. SMT Bus Monitor Time Tag Match Mid Register (0x0041)



13.13. SMT Bus Monitor Time Tag Match High Register (0x0042)



These registers are read-write and are cleared after $\overline{\text{MR}}$ pin Master Reset. When the MTTTM bit 6 is logic 1 in the Hardware Interrupt Enable Register 0x000F, an interrupt occurs when the MT time tag count matches the value stored in this register triplet. If the MT is configured for 16-bit time tag, Time Tag Match Register 0x0040 is compared to Time Tag Count register 0x003A for match determination.

If configured for 48-bit time tag operation, count bits 47-17 and 31-16 in Time Tag Match Registers 0x0042 and 0x0041 are also compared to MT Time Tag Count Registers 0x003C and 0x003B for 48-bit match determination.

Please refer to the description for MTTTM bit 6 in the Hardware Interrupt Registers described in Section 9.7.

13.14. SMT Bus Monitor Interrupt Registers and Their Use

Section 9.4 on page 39 through Section 9.6 describe how the host uses three Hardware Interrupt registers, the Interrupt Log Buffer and the Interrupt Count & Log Address Register to manage interrupts. When the SMT is enabled, three additional registers are dedicated to SMT interrupts. Comparable to the Hardware Interrupt register triplet, the SMT has

- An SMT Interrupt Enable Register to enable and disable interrupts
- An SMT Pending Interrupt Register to capture the occurrence of enabled interrupts
- An SMT Interrupt Output Enable Register to enable $\overline{\text{IRQ}}$ output to host, for pending enabled interrupts

Each individual bit in all three registers is mapped to the same interrupt-causing event when the corresponding interrupt condition is enabled. Numerous interrupt options are available for the SMT. At initialization, bits are set in the SMT Interrupt Enable register to identify the interrupt-causing events for the SMT which are heeded by the HI-613x. Most SMT applications only use a subset of available SMT interrupt options. Interrupt-causing events are ignored when their corresponding bits are reset in the SMT Interrupt Enable Register. Setting an Interrupt Enable register bit from 0 to 1 does not trigger interrupt recognition for events that occurred while the bit was zero.

Whenever an SMT interrupt event occurs (and the corresponding bit is already set in the SMT Interrupt Enable Register), these actions occur:

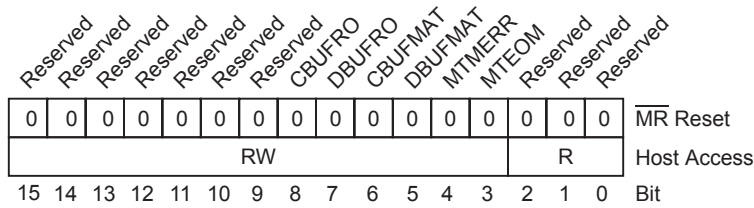
- The Interrupt Log Buffer is updated.
- A bit corresponding to the interrupt type is set in the SMT Pending Interrupt Register. The type bit is logically-ORed with the preexisting register value, retaining bits for prior, unserviced SMT interrupts.
- MT Interrupt Pending (MTIP) bit 1 used by SMT or IMT is set in the Hardware Pending Interrupt Register. The MTIP bit is logically-ORed with the preexisting register value, retaining bits for unserviced hardware interrupts and the preexisting status of the BCIP and RTIP (Bus Controller and RT) interrupt pending bits.
- If the matching bit is already set in the SMT Interrupt Output Enable Register, an $\overline{\text{IRQ}}$ output occurs.

If the matching bit in the SMT Interrupt Output Enable Register was not already set (i.e., low priority polled interrupt), the host can poll the SMT Pending Interrupt Register to detect the occurrence of SMT interrupts, indicated by non-zero value. Reading the SMT Pending Interrupt Register automatically clears it to 0x0000.

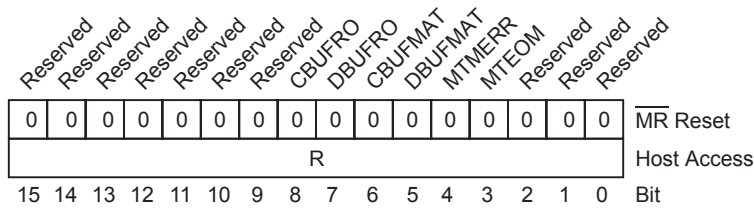
A single $\overline{\text{IRQ}}$ host interrupt output signal is shared by all enabled interrupt conditions having bits set in the four Interrupt Output Enable registers (hardware, BC, RT and SMT or IMT). Multiple interrupt-causing events can occur simultaneously, so single or simultaneous interrupt events can assert the $\overline{\text{IRQ}}$ host interrupt output.

When the host receives an $\overline{\text{IRQ}}$ signal from the device, it identifies the event(s) that triggered the interrupt. Section 9.4 describes two methods for identifying the interrupt source(s). One scheme uses the three low order bits in the Hardware Pending Interrupt Register to indicate when BC, RT, SMT and/or IMT interrupts occur. When MT Interrupt Pending (MTIP) bit 1 used by SMT or IMT is set in the Hardware Pending Interrupt Register, the SMT Pending Interrupt Register contains a nonzero value and may be read next to identify the specific SMT interrupt event(s). Or, the host can directly interrogate the Interrupt Count & Log Address Register, followed by the Interrupt Log Buffer. Data sheet section 9.4 has a detailed description.

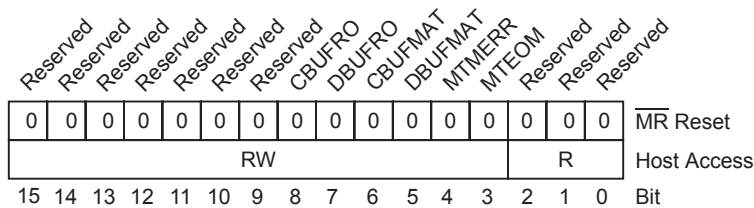
13.14.1. SMT Bus Monitor Interrupt Enable Register (0x0011)



13.14.2. SMT Bus Monitor Pending Interrupt Register (0x0008)



13.14.3. SMT Bus Monitor Interrupt Output Enable Register (0x0015)



Three registers govern SMT interrupt behavior: the SMT Interrupt Enable Register, the SMT Pending Interrupt Register and the SMT Interrupt Output Enable Register. When a bit is set in the SMT Interrupt Enable Register, the corresponding SMT interrupt is enabled. When a bit is reset in this register, the corresponding interrupt event is unconditionally disregarded. Setting a register bit from 0 to 1 does not trigger interrupt recognition for events that occurred while the bit was zero.

When an enabled SMT interrupt event occurs, the corresponding bit is set in the SMT Pending Interrupt Register and the Interrupt Log Buffer is updated. To simplify interrupt decoding, MTIP bit 1 in the Hardware Pending Interrupt Register is also set whenever one or more bits are set in the SMT Pending Interrupt Register.

If the corresponding bit is already set in the SMT Interrupt Output Enable Register, the \overline{IRQ} output pin is asserted at Pending Interrupt Register assertion. The SMT Interrupt Output Enable Register establishes two priority levels: high priority interrupts generate an \overline{IRQ} output while low priority interrupts do not. Both priority levels update the SMT Pending Interrupt Register and the Interrupt Log Buffer. The host detects low priority (masked) interrupts by polling SMT Pending Interrupt Register.

The table below describes the bit descriptions shared by all three SMT interrupt registers.

HI-6130, HI-6131

<i>Bit No.</i>	<i>Mnemonic</i>	<i>Function</i>
15 – 9	Reserved	These bits are not used in SMT monitor mode. They should be initialized logic 0 in the SMT Interrupt Enable Register. These bits will always read logic 0 in the SMT Pending Interrupt Register.
8	CBUFRO	Command Buffer Rollover Interrupt. The Command Buffer Pointer value (Word 1 in the SMT Address List) has rolled over to the Command Buffer Start Address (Word 0 in the SMT Address List).
7	DBUFRO	Data Buffer Rollover Interrupt. The Data Buffer Pointer value (Word 5 in the SMT Address List) has rolled over to the Data Buffer Start Address (Word 4 in the SMT Address List).
6	CBUFMAT	Command Buffer Address Match Interrupt. The Command Buffer Pointer value (Word 1 in the SMT Address List) has reached the Command Buffer Address Match value in Word 3 of the SMT Address List.
5	DBUFMAT	Data Buffer Address Match Interrupt. The Data Buffer Pointer value (Word 5 in the SMT Address List) has reached the Data Buffer Address Match value in Word 7 of the SMT Address List.
4	SMTMERR	SMT Message Error Interrupt. A non-broadcast MIL-STD-1553 message ended with an RT Status Word containing the ME Message Error status bit set.
3	SMTEOM	SMT End of Message Interrupt. Successful completion of a MIL-STD-1553 message, regardless of validity.
2 – 0	Reserved	Bits 2-0 cannot be written, and read back 000.

14. IRIG-106 MONITOR TERMINAL (IMT)

The HI-613x can operate as an autonomous MIL-STD-1553 Bus Monitor, requiring minimal host support. Two fundamentally different monitor modes are offered. Each of these modes has a separate data sheet section describing registers used and operational details. Information regarding the alternative Simple Monitor Terminal (SMT) may be found in Section 12.

14.1. Overview

IRIG-106 Monitor Terminal (IMT) mode complies with IRIG-106, a comprehensive standard ensuring interoperability of aeronautical telemetry at United States Military RCC member ranges. The telemetry group of the Range Commanders Council maintains the IRIG-106 standard. Chapter 10 of the standard defines operation and interfaces for digital flight data recorders over a range of telemetry protocols, including MIL-STD-1553. Further information on the IRIG-106 standard can be found at <http://irig106.org/>

The HI-613x is configured for IMT operation when bit 0 in the MT Configuration Register 0x0029 is logic 0. The IMT always operates with 48-bit Time Tag resolution. In register 0x0000, MTENA bit 8 is logically ANDed with the MTRUN input pin to enable the Bus Monitor. If the MTRUN input pin or MTENA register bit equals logic 0, Bus Monitor operation is disabled. When the MTRUN pin and MTENA register bit are both logic 1, the Bus Monitor is enabled. Operation commences when the receiver first decodes MIL-STD-1553 activity meeting the “start record” criteria selected by bits 6-5 in the MT Configuration Register. If monitor operation is underway when the MTENA register bit or MTRUN input pin becomes logic 0, monitor operation stops and the open data packet is finalized after completion of any message already underway.

The Holt IRIG-106 Monitor Terminal (hereafter called IMT) uses a single storage buffer in device RAM. Recorded message data, message results and characteristics are stored in multiple-message “data packets”. As they occur, MIL-STD-1553 messages are appended to the end of the open data packet and time stamped with a 48-bit Time Tag value. By default, the IMT records all MIL-STD-1553 messages, although it optionally records just selected messages, based on RT address, subaddress and transmit/receive status for each detected Command Word.

The IMT optionally generates a Packet Header and Packet Trailer consistent with IRIG-106 Chapter 10 specifications. The header contains various data including data packet size, time stamp and header checksum. The trailer is primarily comprised of a data checksum. While the IRIG-106 standard requires a header and trailer on each data packet, some applications will require data packet size exceeding the RAM capacity of the HI-613x device. In this case, the IMT may be configured to disable automatic header and trailer generation, so the entire RAM buffer is used for message storage. Upon receiving each end-of-packet interrupt, the host offloads the entire block of new message data, which may be appended to a large packet buffer RAM, accessible to the host microcontroller. At the appropriate time, the host then generates the required IRIG-106 packet header and packet trailer.

The IMT can be configured to automatically start a new data packet after finalization of each completed data packet, or the host microcontroller can command the start of the new data packet. In either case, the starting address for the new packet follows the last storage address of the previous packet (even when the last packet was finalized due to imminent buffer overrun). The device stores packet data in circular buffer fashion, automatically wrapping around to the buffer start address after the last buffer address is written. The host microcontroller is responsible for offloading each data packet in a timely manner to avoid data overwrite by the HI-613x device. One strategy: enable a “packet ready” interrupt, as well as an “N-word warning before full buffer” interrupt triggered halfway through the IMT RAM buffer capacity. The host microcontroller uses these alternating interrupts to pace data buffer offloading, reading a half buffer each time one of the two interrupts occurs.

The HI-613x IMT is highly flexible. According to the IRIG-106 standard, the Block Status Word stored for each MIL-STD-1553 message contains several reserved status bits which always read logic 0. The HI-613x device optionally uses these bits to convey additional status information to the host; the host then resets the reserved bits before including the Block Status Word in the IRIG-106 data packet.

14.2. IRIG-106 Bus Monitor - Data Packet Format

When the HI-613x Bus Monitor is initialized for IMT operation, recorded bus message information is stored in device RAM using a “data packet” format consistent with IRIG-106 Chapter 10. The IRIG-106 data packet is comprised of three parts: a Packet Header, a Packet Body (containing the monitored MIL-STD-1553 message information) and a Packet Trailer. The HI-613x IMT may be configured to generate complete data IRIG-106 packets, including Packet Header and Packet Trailer, or may be configured to generate only the Packet Body, without Packet Header and Packet Trailer.

The IRIG-106 data packet is shown in Figure 9. When the IMTHTD bit 3 in the IMT Configuration Register 0x0029 is logic 1, the HI-613x stores only the Packet Body. When the IMTHTD bit 3 is logic 0, the HI-613x stores a Packet Header and Packet Trailer, described on the next pages, in addition to the Packet Body.

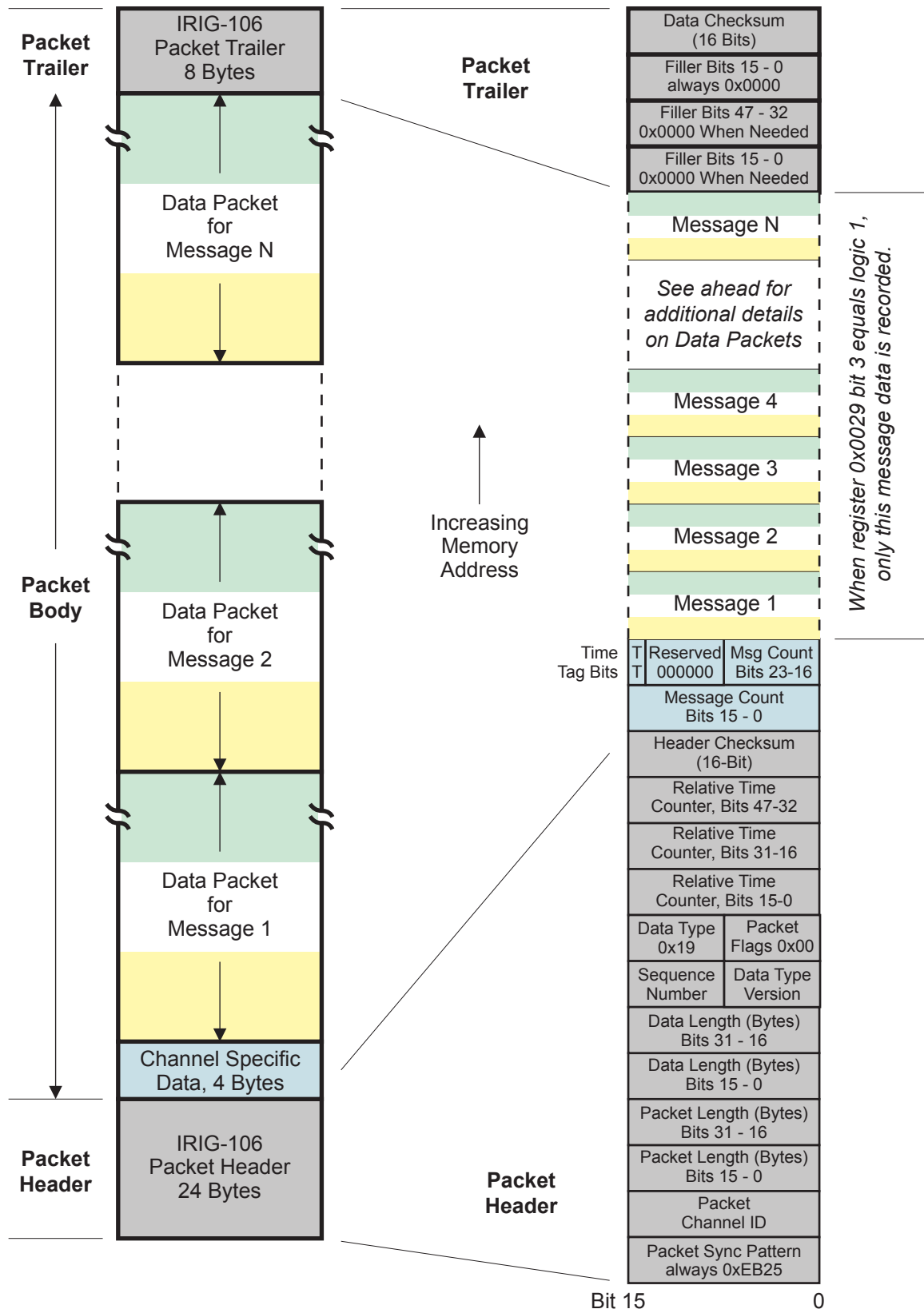


Figure 9. IRIG-106 Data Packet and Message Storage Summary

14.3. IRIG-106 Packet Header Description

The length of the packet header is fixed at 24 bytes, shown in as twelve 16-bit words. The Packet Header consists of 10 contiguous fields in the following sequence:

14.3.1. Packet Sync Pattern.

A static sync value of 0xEB25 is used for every packet.

14.3.2. Channel ID.

This 2-byte field contains a value representing the Packet Channel ID. The Packet Header is generated using the value stored in register 0x002E.

14.3.3. Packet Length.

This 32-bit field contains a value representing the length of the entire packet. The value indicates the number of bytes in the packet, and is always a multiple of four (bits 1-0 are always 0-0). The Packet Length includes the Packet Header, Channel Specific Data, Intra-Packet Headers, Data, Filler, and Data Checksum. (The HI-613x IMT does not generate the optional Packet Secondary Header.)

14.3.4. Data Length.

This 32-bit field contains a value representing the valid data length within the packet, expressed in number of bytes. Valid data length includes Channel Specific Data, Intra-Packet Data Headers, Intra-Packet Time Stamp(s), and Data, but does not include the Packet Trailer Filler and Data Checksum.

14.3.5. Data Type Version.

This 8-bit field contains a value at or below the release version of the IRIG-106 standard applied to the data types in the table below. The Packet Header is generated using the value encoded by bits 11-10 in register 0x0029. The Data Type value is used in the Packet Header as shown below.

<i>Register 0x0029 Bits 11-10</i>	<i>Data Type</i>	<i>IRIG-106</i>
01	0x01	IRIG-106-04 (original release)
10	0x02	IRIG-106-05 (default
11	0x03	IRIG-106-07
00	0x04	IRIG-106-09

14.3.6. Sequence Number.

This 8-bit field contains a value representing the packet sequence number for each Channel ID. This is simply a counter that increments to a maximum count of 0xFF, incrementing once for every packet transferred. After master reset, the Sequence Number starts at 0x00. Upon reaching 0xFF, the Sequence Number rolls over to 0x00 and continues counting.

14.3.7. Packet Flags.

This 8-bit field equals either 0x00 or 0x02, depending on the checksum type selected by bit 1 in register 0x0029. If Data

HI-6130, HI-6131

Checksum is disabled, this field equals 0x00. If 16-bit Data Checksum is enabled, this field equals 0x02. Although bits 7-2 in this field always equal logic 0, the encoded significance for all eight Packet Flags is explained here:

- Packet Secondary Header is not present (bit 7)
- Packet Header 48-bit Relative Time Count used for Intra-Packet Time Stamps (bit 6)
- Sync error did not occur for Relative Time Count (bit 5)
- Data Overflow error did not occur (bit 4)
- Optional IRIG-106 Packet Secondary Header is not used (bits 3-2)
- Data Checksum format: bits 1-0 always equal 00 or 10
 - 00 = data checksum disabled (automatic, when register 0x0029 bit 1 = logic 0)
 - 01 = 8-bit data checksum (option not available)
 - 10 = 16-bit data checksum (automatic, when register 0x0029 bit 1 = logic 1)
 - 11 = 32-bit data checksum (option not available)

14.3.8. Data Type.

This 8-bit field contains a value representing the type and format of the data. The HI-613x IMT always generates a fixed Data Type value of 0x19, which represents a MIL-STD-1553B Format 1 data packet.

14.3.9. Relative Time Counter.

This 48-bit (3-word) field contains a value representing the 10 MHz Relative Time Counter (RTC). The RTC is derived from an internal clock generator, and remains free running during each data packet recording. The 48-bit value applies to the first bit of message data in the packet body.

14.3.10. Header Checksum.

This 16-bit (1-word) field contains the 16-bit arithmetic sum of all 16-bit words in the header, excluding the Header Checksum word itself.

14.4. IRIG-106 Packet Trailer Description

IRIG-106 defines a Packet Trailer consisting of an optional Data Checksum, preceded by “filler words”. The standard requires the overall packet length to be an even number of 16-bit words. The HI-613x IMT inserts 0x0000 “filler” words to meet this requirement. Every packet generated by the HI-613x IMT has a Packet Trailer consisting of 2 or 3 filler words (0x0000) followed by the 16-bit Data Checksum word.

Bit 1 in register 0x0029 enables/disables automatic generation of a 16-bit Data Checksum. When auto checksum is disabled, the Packet Trailer simply consists of 3 or 4 filler words. When the configuration bit is logic 1, the 16-bit checksum is written into the last packet word at packet finalization. If an 8- or 32-bit data checksum is needed, the host must generate it. IRIG-106 defines the Data Checksum as the arithmetic sum of all of the bytes (8-bit checksum), words (16-bit checksum) or long words (32-bit checksum) in the entire packet, excluding the 24-byte Packet Header and the Data Checksum itself.

14.5. IRIG-106 Data Packet Trailer Description

The HI-613x IMT Packet Body consists of a 32-bit Channel Specific Data field, followed by one or more message data blocks, with separate message data blocks for each monitored MIL-STD-1553 message.

14.5.1. Channel Specific Data.

This 32-bit field occurs once per packet and precedes the packet channel data. The Channel Specific Data is comprised of the following fields:

<i>Bits 31-30</i>	<i>Bits 29-24</i>	<i>Bits 23-0</i>
Time Tag Bits	Reserved, always 000000	Message Count

Bits 31-30 indicate the MIL-STD-1553 data bit at which Intra-Packet Header time stamp occurs for each message:

- 00 = time stamp occurs at the last bit of the last word in the message
- 01 = time stamp occurs at the first bit of the first word in the message
- 10 = time stamp occurs at the last bit of the first word in the message
- 11 = reserved, not used

Bits 23-0 indicate the binary count for the number of MIL-STD-1553 messages included in the packet. An integral number of complete transaction messages will be in each packet

For each monitored MIL-STD-1553 message, three data fields are stored in the Packet Body. These are shown in Figure 11, and explained here:

14.5.2. IRIG-106 Intra-Packet Time Stamp.

This 64-bit field contains a 48-bit Relative Time Counter value that marks the relative reception time for the MIL-STD-1553 message. The high order 16 bits always equal 0x0000. Time stamping occurs at the message bit indicated in the Channel Specific Data.

14.5.3. IRIG-106 Intra-Packet Data Header.

This 48-bit field is comprised of the following sub fields:

Block Status Word (BSW). This 16-bit word indicates status for the following MIL-STD-1553 message and indicates MIL-STD-1553 bus protocol errors.

Response Time Word. This 16-bit word contains two 8-bit fields. For all messages except RT-to-RT, the GAP1 byte indicates the RT response time. For RT-to-RT messages, the GAP1 byte indicates the Transmit RT response time, and the GAP2 byte indicates the Receive RT response time:

<i>Bits 15-8</i>	<i>Bits 7-0</i>
GAP2	GAP1

For both gap measurements, response time is measured consistently with MIL-STD-1553 definition, from the mid-parity zero crossing of the preceding word, to the mid-sync zero crossing of the RT Status Word. For both, the resolution is 100 ns per LSB, with a maximum time value of 25.5 μ s.

Message Length Word. This 16-bit word indicates the number of bytes in the following message data block, ranging from 2 to 72 bytes, for 1 to 36 stored 16-bit words.

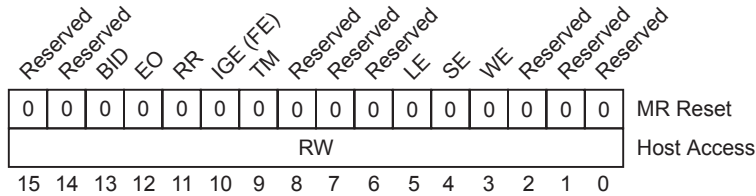
14.5.4. IRIG-106 Message Data.

This variable length block stores all MIL-STD-1553 message words in the order received. The number of words stored depends on the MIL-STD-1553 message type, ranging from 1 word stored (for a broadcast mode code command without data), to 36 words stored for an RT-to-RT message. Refer to Figure 11. An IRIG-106 packet typically contains numerous MIL-STD-1553 messages, although the standard states the packet must contain at least one message (no

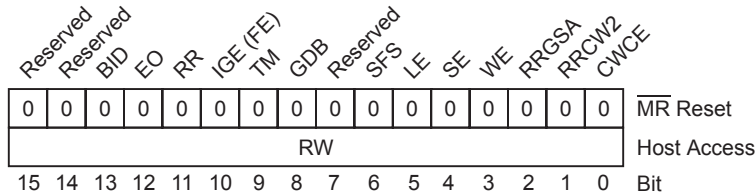
empty packets).

14.6. IMT Block Status Word (BSW) Description

The IRIG-106 standard describes a Block Status Word stored within the Intra-Packet Data Header for each monitored MIL-STD-1553 message. This word provides information regarding message status, the bus on which the message occurred, whether errors occurred during the message, and the type of occurring errors. The IRIG-106 Chapter 10 compliant Block Status Word contains eight reserved bits, which the HI-613x IMT writes as logic 0:



The HI-613x IMT offers an Extended Status reporting option, enabled when bit 2 in register 0x0029 is logic 1. When this option is enabled, all but one of the Reserved status bits are used to convey additional status information. Although the extended status bits do not comply with the IRIG-106 Chapter 10 standard, the host can reset the 7 normally reserved bits after reading the BSW. If using the IMT-generated 16-bit Data Checksum (enabled when register 0x0029 bits 1:0 equal 1-0), be advised that the tallied checksum value is based on the BSW value that was written into the data packet by the device, at individual MIL-STD-1553 message completion. The Block Status Word with Extended Status is defined:



IMT Block Status Word
with Extended Status Bits Enabled
(Not IRIG-106 Chapter 10 Compliant)

Bit No.	Mnemonic	R/W	Reset	Function
15	Reserved	R/W	0	Bit 15 is not used in IMT mode, always reads logic 0.
14	Reserved	R/W	0	Bit 14 is not used in IMT mode, always reads logic 0.
13	BID	R/W	0	Bus ID (Bus B / $\overline{\text{Bus A}}$). Bit 13 indicates the bus ID for the message. This bit is logic 0 for a message occurring on Bus A. This bit is logic 1 for a message occurring on Bus B.

HI-6130, HI-6131

Bit No.	Mnemonic	R/W	Reset	Function
12	EO	R/W	0	<p>Error Occurred Flag.</p> <p>This bit indicates a message error was encountered. This bit is set when one or more of the following conditions are true (logical-OR):</p> <ul style="list-style-type: none"> • an unfinished message is superseded by another valid command • Bit 10 Illegal Gap Error is set • Bit 9 Response Timeout is set • Bit 5 Length (Word Count) Error is set • Bit 4 Sync Type Error is set • Bit 3 Invalid Word Error is set • Bit 2 RT-RT Gap / Sync / Address Error is set • Bit 1 RT-RT Command Word 2 Error is set (except as noted) • Bit 0 Command Word Content Error is set (except as noted) <p>Three exceptions where register bit 0 or 1 is set without affecting bit 12 state:</p> <p>Bit 1 RT-RT Command Word 2 Errors that do not assert bit 12</p> <ul style="list-style-type: none"> • RT-RT Transmit Command Word 2 subaddress field equals 00000 or 11111 (mode code command indicated) • RT-RT Transmit Command Word 2 has the same RT Address as Receive Command Word 1 <p>Bit 0 Command Word Content Error that does not assert bit 12</p> <ul style="list-style-type: none"> • Undefined receive mode code 0~15 decimal.
11	RR	R/W	0	<p>RT-to-RT Transfer</p> <p>When logic 1, bit 11 indicates an RT-to-RT message, beginning with two contiguous Command Words.</p>
10	IGE	R/W	0	<p>Illegal Gap Error</p> <p>When logic 1, bit 10 indicates an illegal gap occurred on the bus, other than Response Timeout. The IRIG-106 Standard refers to this bit as Format Error, having the same definition.</p>
9	TM	R/W	0	<p>Response Timeout.</p> <p>When logic 1, bit 9 indicates a response timeout occurred. This bit is set if an RT Status Word associated with this message failed to arrive within the response time interval specified by bits 15-14 in the MT Configuration Register 0x0029.</p> <p>For IRIG-106 compatibility, bits 15-14 in register 0x0029 should be initialized to 00, corresponding to a 14μs response time, as defined by MIL-STD-1553B (12μs bus dead time).</p>

HI-6130, HI-6131

Bit No.	Mnemonic	R/W	Reset	Function
8	GDB	R/W	0	<p>Good Data Block Transfer.</p> <p>only if Extended Status is enabled</p> <p>Bit 8 is set to logic 1 following completion of a valid, error-free message. This bit is reset to logic 0 following completion of a message in which error occurred. If an RT responds to a transmit command with Busy status without transmitting the commanded data word(s), this message does not reset the GDB bit.</p>
7	Reserved	R/W	0	Bit 7 is not used in IMT mode, always reads logic 0.
6	SFS	R/W	0	<p>Status Flag Set</p> <p>only if Extended Status is enabled</p> <p>Bit 6 is logic 1 when a status bit was set in an RT Status Word response.</p>
5	LE	R/W	0	<p>Length (Word Count) Error</p> <p>Bit 5 indicates that the number of data words transmitted by the BC or RT differs from the Word Count specified in the Command Word. An RT Status Word with the Busy bit set will not cause Word Count Error. A transmit command with Response Timeout will not cause Word Count Error.</p>
4	SE	R/W	0	<p>Sync Type Error</p> <p>Bit 4 is logic 1 to indicate that a BC transmitted data sync with a Command Word, or a command / status sync occurred with Data Word, or an RT responded with data sync in its Status Word and/or command/ status sync in a Data Word.</p>
3	WE	R/W	0	<p>Invalid Word Error (WE)</p> <p>Bit 3 is logic 1 when invalid word error occurred. This includes Manchester decoding errors in the sync pattern or word bits, or the wrong number of bits in the word, or parity error.</p>
2	RRGSA	R/W	0	<p>RT-to-RT Gap/Sync/Address Error (RRGSA)</p> <p>only if Extended Status is enabled</p> <p>Bit 2 is logic 1 if one or more of these RT-RT message conditions occur:</p> <ul style="list-style-type: none"> • MT Gap Check is enabled (bit 12 equals 1 in register 0x0029) and an RT Status Word is received having a response time less than 4μs, per MIL-STD-1553B (mid-parity to mid-sync). In other words, the bus “dead time” was less than 2μs. • One of the RTs responds with an invalid Status Word, having a sync error, a Manchester encoding error, bit count error and/or parity error • One of the RT Status Words contains an RT Address that differs from the RT Address in the corresponding Command Word.

HI-6130, HI-6131

Bit No.	Mnemonic	R/W	Reset	Function
1	RRCW2	R/W	0	RT-to-RT Command Word 2 Error (RRCW2) only if Extended Status is enabled Bit 1 is logic 1 if an RT-to-RT message occurs (two contiguous Command Words) with one or more of the following illogical conditions: <ul style="list-style-type: none"> • Transmit Command Word 2 $\overline{T/R}$ bit equals 0 (receive) • Transmit Command Word 2 subaddress field equals 00000 or 11111 (mode command indicated) • Transmit Command Word 2 has the same RT Address as Receive Command Word 1
0	CWCE	R/W	0	Command Word Content Error (CWCE) only if Extended Status is enabled Bit 0 is logic 1 if a received Command Word violates one or more MIL-STD-1553B requirements: <ul style="list-style-type: none"> • A non-mode code broadcast transmit Command Word occurred. (non-mode has 5-bit subaddress field equal to decimal 1~30) • A receive mode code Command Word was received with mode code in the range of 0~15 decimal (undefined) • A broadcast transmit mode code command occurred having a mode code value for which broadcast is not allowed (mode code = decimal 0, 2, 16, 18 or 19)

14.7. IMT Message Filter Table

The IRIG-106 Message Monitor can select messages for monitoring through the use of a 128-word MT Filter Table, located at fixed RAM address 0x0100. When the table bit corresponding to a new message Command Word is logic 1, that message is ignored by the monitor. If the table bit is logic 0, that message is recorded.

After \overline{MR} master reset, all MIL-STD-1553 messages are monitored because the entire table ranging from 0x0100 to 0x017F inclusive is 0x0000. Thus every valid Command Word received on an idle bus marks the start of a new MIL-STD-1553 message recorded by the monitor. When the table bit corresponding to a new message Command Word is logic 1, that message is ignored by the monitor. The Message Filter Table is addressed using three fields in the received Command Word: the 5-bit RT Address field, the $\overline{T/R}$ Transmit/Receive bit and the MSB of the 5-bit Subaddress field. This is illustrated in Figure 10.

HI-6130, HI-6131

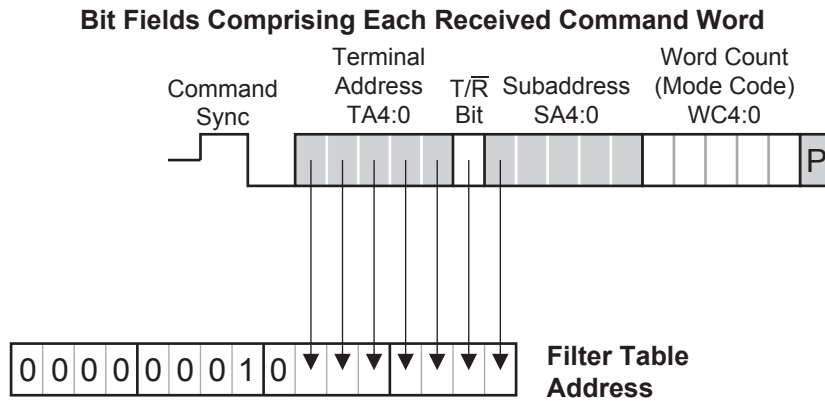


Figure 10. Deriving the Monitor Filter Table Address from the Received Command Word

Each RT Address from 0 to 31 decimal has four 16-bit table words: two words enable/disable individual Receive Subaddresses, two more words enable/disable individual Transmit Subaddresses. The first four table words apply to Subaddress 0 and are illustrated in Table 15. This 4-word pattern repeats for all 32 Subaddresses, 0-31 decimal.

Table 15. IMT Message Filter Table

Filter Table addresses 0x017C - 0x017F																RT Address 31 Subaddresses (4 words)																	
Filter Table addresses 0x0178 - 0x017B																RT Address 30 Subaddresses (4 words)																	
.																.																	
.																.																	
.																.																	
Filter Table addresses 0x0108 - 0x010B																RT Address 2 Subaddresses (4 words)																	
Filter Table addresses 0x0104 - 0x0107																RT Address 1 Subaddresses (4 words)																	
Filter Table address 0x0103																RT Address 0, Transmit Subaddresses 31 to 16																	
Word Bit #	15	14	13	12	11	10	9	8	7	6	5	4	3	2	1	0	Transmit SA	31	30	29	28	27	26	25	24	23	22	21	20	19	18	17	16
Filter Table address 0x0102																RT Address 0, Transmit Subaddresses 15 to 0																	
Word Bit #	15	14	13	12	11	10	9	8	7	6	5	4	3	2	1	0	Transmit SA	15	14	13	12	11	10	9	8	7	6	5	4	3	2	1	0
Filter Table address 0x0101																RT Address 0, Receive Subaddresses 31 to 16																	
Word Bit #	15	14	13	12	11	10	9	8	7	6	5	4	3	2	1	0	Receive SA	31	30	29	28	27	26	25	24	23	22	21	20	19	18	17	16
Filter Table address 0x0100																RT Address 0, Receive Subaddresses 15 to 0																	
Word Bit #	15	14	13	12	11	10	9	8	7	6	5	4	3	2	1	0	Receive SA	15	14	13	12	11	10	9	8	7	6	5	4	3	2	1	0

A subaddress message is monitored when the corresponding word bit equals logic 0. The message is not monitored when the bit equals 1.

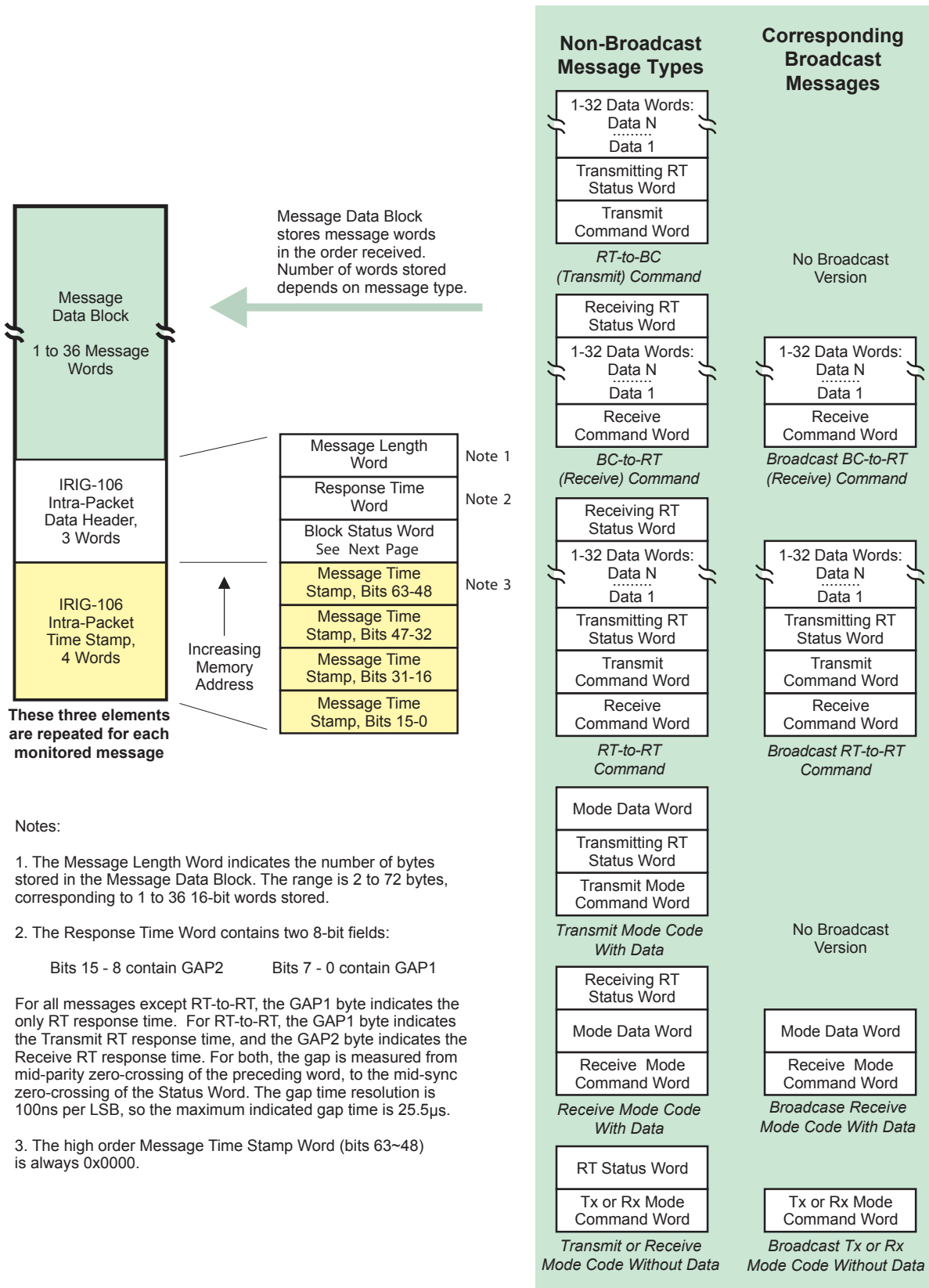


Figure 11. IRIG-106 Data Fields and Message Storage

15. IRIG-106 BUS MONITOR (IMT) CONFIGURATION AND OPERATION

The HI-613x is initialized for IRIG-106 Chapter 10 operation (IMT) by resetting bit 0 in the Bus Monitor Configuration Register 0x0029 to logic 0. The MIL-STD-1553 bus monitors that comply with IRIG-106 produce “data packets” in a format defined by the IRIG-106 standard. Figure 9 shows the overall data packet structure, comprised of three parts: a Packet Header, a Packet Body (containing the monitored MIL-STD-1553 message information) and a Packet Trailer. The HI-613x IMT may be configured to generate complete data IRIG-106 packets, including Packet Header and Packet Trailer, or may be configured to generate only the Packet Body, without header or trailer. A range of options is offered for configuring the Packet Header and Packet Trailer.

15.1. Generating complete IRIG-106 Data Packets

IMTHTD bit 3 in the MT Configuration Register 0x0029 is logic 0

The IMT generates the Packet Header and Packet Trailer after the first MIL-STD-1553 message is recorded when starting a new packet. When each new message data packet is added to the Packet Body, the device updates the Packet Header and generates a new Packet Trailer. Refer to Figure 9. When one data packet is finalized and the next data packet begins, the device adjusts the Address List pointers so the new Packet Header starts at the last unwritten Buffer address.

15.2. Generating only IRIG-106 Packet Body (no header or trailer)

IMTHTD bit 3 in the MT Configuration Register 0x0029 is logic 1

The IMT devotes the entire RAM Buffer for message data packets. For each monitored message, only the Intra-Packet Timestamp, Intra-Packet Data Header, and Message Data Block are stored, per Figure 11 and the note in Figure 9. When operated in this mode, the RAM Buffer is fully utilized for message data; the first Intra-Packet Timestamp occurs at the Buffer Start Address initialized in the IMT Address List. The host assumes responsibility for generating the IRIG-106 Packet Header, Channel Specific Data and Packet Trailer. Otherwise, there may be situations when IMT packet body structure is simply preferred over SMT storage format, in a non-IRIG application that does not need the header or trailer overhead.

When operating in IMT mode, MIL-STD-1553 message data is added to the unfinished data packet until the packet is “finalized.” The host can initiate packet finalization by setting the PKTSTOP bit in the MT Configuration Register. Criteria for automatic packet finalization can be specified using customized limits. These host-initialized limits for packet completion are optional, enabled or disabled by configuring limit registers 0x002A through 0x002D. When the applicable limit register contains zero, that criteria for packet finalization is disabled. The practical maximum value for each of these limits is actually much smaller than limits shown below, as explained in the descriptions for registers 0x002A through 0x002D.

- host-specified maximum MIL-STD-1553 message count (1 to 65,535) in register 0x002A
- host-specified maximum word count (1 to 65,535 words) in register 0x002B
- host-specified maximum recording time (655.35 ms max, 10 μ s resolution) in register 0x002C
- host-specified maximum intermessage gap (655.35 ms max, 10 μ s resolution) in register 0x002D

The data packet ends and packet generation encapsulates the recorded data when the first of the set data packet limits is reached.

An open IRIG-106 data packet is also finalized when written packet data first crosses within 64 words of overrunning buffer space. This criteria, imminent buffer overrun, is mandatory and cannot be disabled. The current data packet is terminated when written packet length is within 64 words of overwriting the Current Packet Start Address (maintained in Address List Word 1 by the device).

The host initializes a Monitor Address List in RAM to reserve address space for the IMT storage Buffer and define buffer utilization interrupt behavior. For IMT mode, the 8-word Monitor Address List is defined as shown in Table 16.

Table 16. Monitor Address List for IMT Mode

<i>Addr. List</i>	<i>Name</i>	<i>Function</i>
Word 7	Packet Fill Warning Interrupt	Host initialized with a word count value, N, if this interrupt is enabled. If enabled, an interrupt occurs when packet length reaches N words before Current Packet Start Address (in Word 1) will be overwritten.
Words 6 – 5	Not used	The value in Words 5 and 6 is “don’t care”.
Word 4	Last Written Block Status Word Address	Maintained by the device. This word is updated by the device each time a Block Status Word is added to the end of the packet for a newly received MIL-STD-1553 message. The addressed location contains the first word written for the last message.
Word 3	Buffer Address Interrupt	Host initialized with a RAM address value if this interrupt is enabled. If enabled, an interrupt occurs when the matching RAM address is written. Address must be within the range bounded by Words 0 and 2.
Word 2	Buffer End Address	Host initialized, defines monitor buffer upper address boundary.
Word 1	Current Packet Start Address	Must be host initialized , usually to match Buffer Start Address. Updated by device each time a new data packet is opened. This value advances through the address range in circular buffer fashion for successive packets.
Word 0	Buffer Start Address	Host initialized, defines monitor buffer lower address boundary.

For purposes of this discussion, it is important to make a distinction between Buffer Addresses and Packet Addresses. The Buffer address range is fixed and initialized when the host writes Address List Words 0 and 2. The Packet address range is dynamic. The Current Packet Start Address must be initialized by the host for the first data packet; however this value is maintained by the device each time a new packet it started.

- Buffer Start Address and Buffer End Address define the IMT data storage boundaries. These limits usually do not coincide with stored data packet boundaries, except the first data packet following device MR reset typically begins at the Buffer Start Address.
- Packet Start Address and Packet End Address express a smaller address range for storing an IMT data packet. Because successive data packets are written in circular buffer fashion, there are times when Packet Start Address approaches the Buffer End Address. The packet fills the remaining Buffer address range and wraps around to continue storing the packet at the Buffer Start Address and beyond. In this case, Packet Start Address is greater than Packet End Address, but both packet addresses occur between the Buffer Start and End Addresses.
- Current Packet Start Address is initialized by the host (typically equal to Buffer Start Address) but is updated by the device each time a data packet is finalized, and the next data packet has started at the following memory address.
- Initialized values for registers 0x002A – 0x002D may result in multiple small packets occurring within the Buffer address range. If registers 0x002A through 0x002D all contain zero, data packet finalization defaults to “imminent buffer overrun” mode. Each data packet created will be slightly less than the allocated Buffer address range. Successive IRIG-106 data packets are written in circular buffer fashion. Each new data packet starts one word after the final word in the previously finalized data packet.
- If the first data packet after reset begins at the Buffer Start Address, it will be finalized and the second data packet

HI-6130, HI-6131

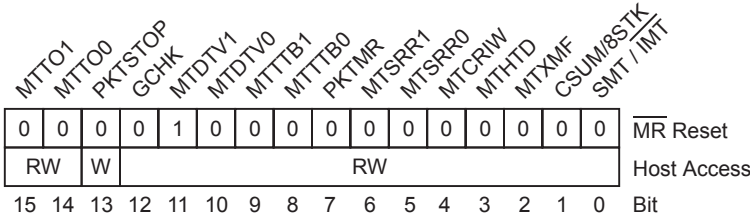
will begin before reaching the Buffer End Address boundary.

- Last-Written Block Status Word Address is updated by the device each time a Block Status Word is added to the end of the packet for a newly received MIL-STD-1553 message.
- Two optional buffer interrupts are offered. When enabled, the Buffer Address Interrupt occurs whenever the matching RAM address in the Buffer is written. This address is fixed with respect to the Buffer Start and End Addresses.
- When enabled, the Packet Fill Warning Interrupt is generated when the packet length reaches a specified number of words before Packet Start Address overwrite occurs. Because Packet Start Address “walks” through the buffer address range for successive packets, the interrupt logic adjusts the Packet Fill Warning Interrupt address automatically. The fill warning number can be any value, i.e. half-way, 8,192 for a 16,384-word buffer. Used in conjunction with the Packet Ready interrupt, this packet “half full” setting produces alternating interrupts at the “half full” and “full” packet conditions. To prevent packet start address overwrite, these two interrupts tell the host when to offload data, a half packet at a time. In the event that the host is unable to immediately service a Packet Ready interrupt, no data is lost when the IMT is configured to immediately start a new packet upon completion of the prior packet (i.e., when PKTMR bit 7 equals logic 1 in the IMT Configuration Register 0x0029).

16. REGISTERS USED BY THE IMT BUS MONITOR

In addition to the registers described here, a HI-6131 IMT Bus Monitor also utilizes one or more Memory Address Pointer registers (described in Section 9.11) for managing SPI read/write operations. This comment does not apply for parallel bus interface HI-6130 designs.

16.1. IMT Bus Monitor MT Configuration Register (0x0029)



Bit No.	Mnemonic	R/W	Reset	Function			
15 – 14	MTTO1:0	R/W	0	MT Time Out Select. This 2-bit field selects the Monitor “no response” time-out delay from four available selections. Excluding RT-RT commands, the delay is measured from command word mid-parity bit to status word mid-sync.			
				Bit 15:14	Bus Dead Time	Time Out (excludes RT-RT)	RT-RT Time Out
				00 01 10 11	16µs 21µs 80µs 138µs	18µs 23µs 82µs 140µs	61µs 66µs 122µs 180µs
				For RT-RT commands, time out delay is measured per Figure 8 in the RT Validation Test Plan, SAE AS4111. That is, from mid-parity of the receive command to mid-sync of the first received data word. This adds 40µs for the embedded transmit command word and transmit-RT status word within this interval.			
13	PKTSTOP	W	0	<p>MT Packet Stop.</p> <p>If packet recording is underway when the PKTSTOP bit is set, the IMT stops recording then post-processes the packet. If a MIL-STD-1553 message is underway when PKTSTOP is set, recording continues to message completion. The IMT immediately begins recording a new packet.</p> <p>If packet recording is not underway, setting PKTSTOP has no effect. This bit self-resets when written to logic 1. Writing logic 0 to this bit has no effect.</p>			

HI-6130, HI-6131

<i>Bit No.</i>	<i>Mnemonic</i>	<i>R/W</i>	<i>Reset</i>	<i>Function</i>															
12	GCHK	R/W	0	<p>Gap Check.</p> <p>When this bit equals 1, the IMT monitor evaluates inter-message gaps and RT response times for a minimum preceding bus dead time of 2 μs. This dead time corresponds to an inter-message gap of 4μs, measured per MIL-STD-1553, from mid-parity zero crossing of the preceding word, to mid-sync zero crossing of the following word. A minimum gap time violation results in a Format Error in the Block Status Word for the message.</p> <p>When this bit equals 0 (recommended), the monitor does not check for short inter-message gap times.</p>															
11 – 10	MTDTV1:0	R/W	[1,0]	<p>IMT Packet Header “Data Type Version”.</p> <p>This IMT setting is only meaningful when MTHTD (register bit 3) equals 0, enabling automatic generation of IRIG-106 data packet header and packet trailer.</p> <p>The IRIG-106 Chapter 10 packet header contains an 8-bit field “Data Type” field corresponding to the IRIG-106 version applied to the data. Register bits 15-14 specify one of four Data Type values (0x01 – 0x04) for insertion into the generated packet header:</p> <table border="1" style="width: 100%; border-collapse: collapse;"> <thead> <tr> <th style="text-align: center;"><i>Bit 11:10</i></th> <th style="text-align: center;"><i>Header Data Type</i></th> <th style="text-align: center;"><i>IRIG Release</i></th> </tr> </thead> <tbody> <tr> <td style="text-align: center;">00</td> <td style="text-align: center;">0x04</td> <td style="text-align: center;">IRIG-106-09</td> </tr> <tr> <td style="text-align: center;">01</td> <td style="text-align: center;">0x01</td> <td style="text-align: center;">IRIG-106-04</td> </tr> <tr> <td style="text-align: center;">10</td> <td style="text-align: center;">0x02</td> <td style="text-align: center;">IRIG-106-05 (default)</td> </tr> <tr> <td style="text-align: center;">11</td> <td style="text-align: center;">0x03</td> <td style="text-align: center;">IRIG-106-07</td> </tr> </tbody> </table> <p>This selection does not affect data encoding, only the 8-bit Data Type code inserted into the IRIG-106 packet header.</p>	<i>Bit 11:10</i>	<i>Header Data Type</i>	<i>IRIG Release</i>	00	0x04	IRIG-106-09	01	0x01	IRIG-106-04	10	0x02	IRIG-106-05 (default)	11	0x03	IRIG-106-07
<i>Bit 11:10</i>	<i>Header Data Type</i>	<i>IRIG Release</i>																	
00	0x04	IRIG-106-09																	
01	0x01	IRIG-106-04																	
10	0x02	IRIG-106-05 (default)																	
11	0x03	IRIG-106-07																	
9 – 8	MTTTB1:0	R/W	0	<p>Monitor Time Tag Message Bit Select.</p> <p>This 2-bit field selects the bit within the MIL-STD-1553 message where time stamp occurs. Time stamp occurs at mid-bit transition:</p> <table border="1" style="width: 100%; border-collapse: collapse;"> <thead> <tr> <th style="text-align: center;"><i>Bit 9:8</i></th> <th style="text-align: center;"><i>Time Tag Event</i></th> </tr> </thead> <tbody> <tr> <td style="text-align: center;">00</td> <td>Last Bit of Last Word in Message</td> </tr> <tr> <td style="text-align: center;">01</td> <td>First Bit of First (Command) Word in Message</td> </tr> <tr> <td style="text-align: center;">10</td> <td>Last Bit of First (Command) Word in Message</td> </tr> <tr> <td style="text-align: center;">11</td> <td>time tag disabled, stores time tag = 0</td> </tr> </tbody> </table> <p>For options 00 and 10, the “Last Bit” precedes the word’s parity bit. For option 01, the “First Bit” occurs 0.5μs after command sync. While “First Word” generally denotes a command word, message recording can begin with a data word when register bit 5 equals 1.</p>	<i>Bit 9:8</i>	<i>Time Tag Event</i>	00	Last Bit of Last Word in Message	01	First Bit of First (Command) Word in Message	10	Last Bit of First (Command) Word in Message	11	time tag disabled, stores time tag = 0					
<i>Bit 9:8</i>	<i>Time Tag Event</i>																		
00	Last Bit of Last Word in Message																		
01	First Bit of First (Command) Word in Message																		
10	Last Bit of First (Command) Word in Message																		
11	time tag disabled, stores time tag = 0																		

HI-6130, HI-6131

Bit No.	Mnemonic	R/W	Reset	Function
7	PKTMR	R/W	0	<p>IMT Packet Timer Mode.</p> <p>When the PKTMR bit is logic 0, the packet timer resets when the IMT is enabled. The packet timer then starts counting when the next MIL-STD-1553 message begins, at detection of the first valid command word (or alternate Start-Record Requirement selected by bits 6-5 below.)</p> <p>If the PKTMR bit is logic 1 when the IMT is enabled, the packet timer resets then immediately starts when the IMT is enabled. In this mode, whenever a data packet is finalized, the packet timer resets then restarts, and new packet recording is immediately started. If enabled, a PKTRDY (packet-ready) interrupt is generated for the host, at packet completion.</p>
6 – 5	MTSRR1:0	R/W	0	<p>IMT Start-Record Requirement 1:0.</p> <p>When register bits 6-5 equal 00, the IMT starts recording a new MIL-STD-1553 message when a properly encoded, complete MIL-STD-1553 word with command sync is decoded: The command sync is followed by 16 properly encoded data bits plus a 17th parity bit expressing odd parity. No data is recorded until this condition is met. This is the usual setting. (default setting)</p> <p>When register bits 6-5 equal 01, the IMT starts recording a new MIL-STD-1553 message when a properly encoded, complete MIL-STD-1553 word with command sync or data sync is decoded. The properly encoded command sync (or data sync) is followed by 16 properly encoded data bits plus a 17th parity bit expressing odd parity. If recording begins with data sync, the Sync Error flag will be set in the Block Status Word.</p> <p>When register bits 6-5 equal 10, the IMT starts recording a new MIL-STD-1553 message upon detection of a properly encoded command sync with two contiguous data bits. If the properly encoded command sync with two contiguous data bits does not result in a valid command word, the Invalid Word Error is set in the Block Status Word. This selection begins recording for complete MIL-STD-1553 command words as well as for command word fragments, or command words with bad parity. Under some circumstances, this record option might be helpful for debugging MIL-STD-1553 communication failure.</p> <p>When register bits 6-5 equal 11, the IMT starts recording new bus activity upon detection of any properly encoded sync (command or data) with two contiguous data bits. This selection begins recording for complete MIL-STD-1553 command or data words as well as for word fragments, or words with bad parity. If the properly encoded sync with two contiguous data bits does not result in a valid Manchester II word, the Invalid Word Error is set in the Block Status Word. If recording begins with data sync, the Sync Error flag will be set in the Block Status Word. Under some circumstances, this record option might be helpful for debugging MIL-STD-1553 communication failure.</p>

HI-6130, HI-6131

Bit No.	Mnemonic	R/W	Reset	Function
4	MTCRIW	R/W	0	<p>IMT Continue Recording After Invalid Word.</p> <p>When bit 4 equals 0, the IMT stops recording an incomplete message when an invalid MIL-STD-1553 word is decoded. The invalid word is not stored, and the IMT awaits word detection per register bits 6-5 before the next MIL-STD-1553 message is recorded. (default)</p> <p>When bit 4 equals 1, the MT continues recording an incomplete message when an invalid MIL-STD-1553 word is decoded. The invalid word is stored and the IMT continues monitoring the message until completion or time-out occurs.</p>
3	IMTHTD	R/W	0	<p>IMT (Data Packet) Header and Trailer Disabled.</p> <p>When bit 3 equals 0, the IMT reserves space for an IRIG-106 packet header and packet trailer in the RAM buffer assigned in the MT Address List. The Packet Header and Packet Trailer are automatically generated by the device at packet finalization and stored in the assigned buffer. (default)</p> <p>When bit 3 equals 1, the IMT generates only the IRIG-106 Packet Body, stored in the assigned buffer. The full buffer address range is used for message storage.</p>
2	MTXMF	R/W	0	<p>IMT Extended Message Flag Enable.</p> <p>When register bit 2 equals 0, the recorded status/error flags are limited to the defined bits in the IRIG-106 Block Status Word. See Section 14.6.</p> <p>When register bit 2 equals 1, expanded status/error flags are enabled, occupying “reserved” bit positions in the IRIG-106 Block Status Word.</p>
1	IMTCKSM	R/W	0	<p>IMT Checksum Enable</p> <p>This IMT setting is only meaningful when IMTHTD (register bit 3) equals 0, enabling automatic generation of IRIG-106 data packet header and packet trailer.</p> <p>When register bit 1 equals 1, a 16-bit checksum is tallied for the data packet body, and stored in the packet trailer at packet finalization.</p> <p>When register bit 1 equals 0, no checksum is tallied for the data packet body.</p>
0	SMT / $\overline{\text{IMT}}$	R/W	0	<p>Select Simple Monitor Terminal (SMT) or IRIG-106 Monitor Terminal (IMT).</p> <p>This register bit must equal logic 0 for IMT operation. When this bit is zero, the bus monitor operates in IMT IRIG-106 mode with 48-bit time tag counter resolution.</p>

HI-6130, HI-6131

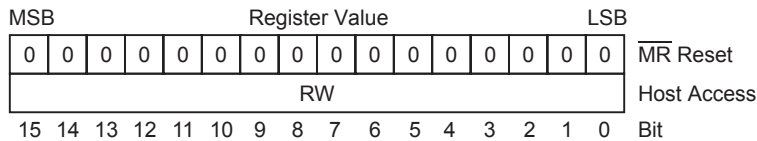
(measured in 10 μ s increments) reaches the value in this register, the HI-613x IMT finalizes an unfinished packet. The maximum time interval is 655.35ms. The measured interval restarts after each Manchester word, and ends with gap time-out, or detection of the next-occurring valid Manchester word on either bus. Under normal circumstances, this register is used for determination of gaps between MIL-STD-1553 messages, however message fragments containing valid Manchester words also preempt time-out and restart the timer.

16.8.1. Practical IRIG-106 maximum gap time considerations

Word validation occurs about 3 μ s after Manchester word completion. When the programmed value in this register is N, the in-process packet will finalize at $(10N + 3) \mu$ s, unless a valid Manchester word started before the maximum bus “dead time” of $(N-2) \times 10 \mu$ s. When the stored register value is zero, this register is not used for end-of-packet determination.

Example: This register contains 20 decimal. The resultant maximum allowed bus “dead time” between Manchester words is 180 μ s. When gap time exceeds this limit, packet finalization occurs at 203 μ s, and (if enabled) MT interrupts occur for Packet Ready and Maximum Gap Time. *A valid Manchester word starting after 180 μ s is not included the finalized packet, but may be the first word in the following packet when bits 6-5 in the MT Configuration Register equal 0-0 or 0-1.*

16.9. IMT Packet Header Channel ID Register (0x002E)

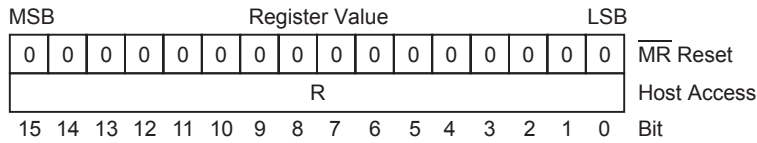


This 16-bit register is read-write and is maintained by the host. This register is cleared after $\overline{\text{MR}}$ pin master reset but is not affected by MT soft reset, when the MTRESET bit is asserted in the Master Status and Reset Register, 0x0001.

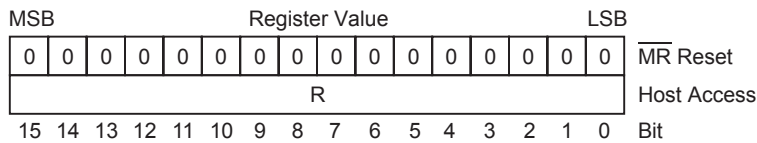
This register is only used when the MT is configured for IRIG-106 Chapter 10 operational mode, with automatic packet header and packet trailer generation. That is, when $\overline{\text{IMT}}$ bit 0 is initialized to logic 0, and IMTHTD bit 3 is initialized to logic 1 in the MT Configuration Register 0x0029.

The IRIG-106 Chapter 10 packet header includes a 16-bit Channel ID. The value contained in this register is used for the Channel ID field, when generating the packet header. The host must load a nonzero value into this register during initialization because Channel ID of 0x0000 is reserved for computer-generated data packets.

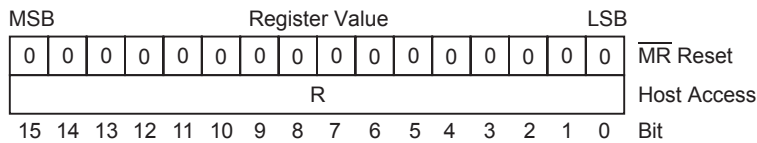
16.10. IMT Monitor Time Tag Count Low Register (0x003A)



16.11. IMT Monitor Time Tag Count Mid Register (0x003B)



16.12. IMT Monitor Time Tag Count High Register (0x003C)



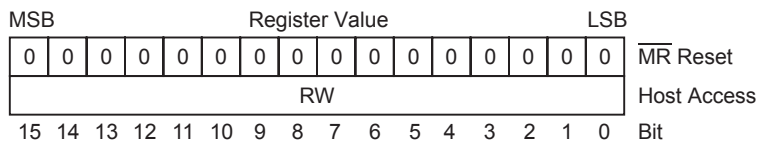
The IMT Bus Monitor always uses a 48-bit time base. The current time base value is reflected in these three 16-bit registers. These registers are read-only and are cleared after $\overline{\text{MR}}$ pin Master Reset. Count bits 47-32 reside in register 0x003C, count bits 31-16 reside in register 0x003B while register 0x003A contains bits 15-0.

The host cannot directly write into these registers, but can otherwise control the MT Time Tag count. By writing bits 15-14 in the Time Tag Counter Configuration Register 0x0039, the host can:

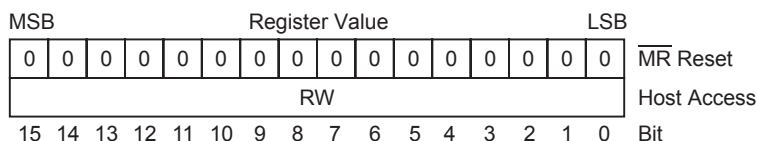
- clear the 48-bit time tag count to zero (by loading three 0x0000 values)
- simultaneously copy the 3-register time value into the three IMT Time Tag Utility Registers
- simultaneously load the value contained in the three IMT Time Tag Utility Registers into the IMT Time Tag count registers.

Finally, three IMT Time Tag Match Registers provide capability for generating a host interrupt when the time tag count reaches any predetermined 48-bit value. For further information, refer to the description of the Time Tag Counter Configuration Register 0x0039.

16.13. IMT Time Tag Utility Low Register (0x003D)



16.14. IMT Time Tag Utility Mid Register (0x003E)



16.19. IMT Bus Monitor Interrupt Registers and Their Use

Section 9.4 on page 39 through Section 9.6 describe how the host uses three Hardware Interrupt registers, the Interrupt Log Buffer and the Interrupt Count & Log Address Register to manage interrupts. When the IMT is enabled, three additional registers are dedicated to IMT interrupts. Comparable to the Hardware Interrupt register triplet, the IMT has

- An IMT Interrupt Enable Register to enable and disable interrupts
- An IMT Pending Interrupt Register to capture the occurrence of enabled interrupts
- An IMT Interrupt Output Enable Register to enable \overline{IRQ} output to host, for pending enabled interrupts

Each individual bit in all three registers is mapped to the same interrupt-causing event when the corresponding interrupt condition is enabled. Numerous interrupt options are available for the IMT. At initialization, bits are set in the IMT Interrupt Enable register to identify the interrupt-causing events for the IMT which are heeded by the HI-613x. Most IMT applications only use a subset of available IMT interrupt options. Interrupt-causing events are ignored when their corresponding bits are reset in the IMT Interrupt Enable Register. Setting an Interrupt Enable register bit from 0 to 1 does not trigger interrupt recognition for events that occurred while the bit was zero.

Whenever an IMT interrupt event occurs (and the corresponding bit is already set in the IMT Interrupt Enable Register), these actions occur:

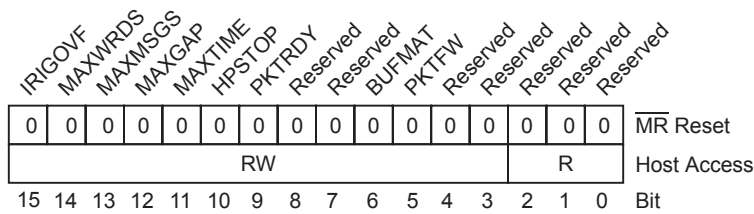
- The Interrupt Log Buffer is updated.
- A bit corresponding to the interrupt type is set in the IMT Pending Interrupt Register. The type bit is logically-ORed with the preexisting register value, retaining bits for prior, unserviced IMT interrupts.
- MT Interrupt Pending (MTIP) bit 1 used by SMT or IMT is set in the Hardware Pending Interrupt Register. The MTIP bit is logically-ORed with the preexisting register value, retaining bits for unserviced hardware interrupts and the preexisting status of the BCIP and RTIP (Bus Controller and RT) interrupt pending bits.
- If the matching bit is already set in the IMT Interrupt Output Enable Register, an \overline{IRQ} output occurs.

If the matching bit in the IMT Interrupt Output Enable Register was not already set (i.e., low priority polled interrupt), the host can poll the IMT Pending Interrupt Register to detect the occurrence of IMT interrupts, indicated by non-zero value. Reading the IMT Pending Interrupt Register automatically clears it to 0x0000.

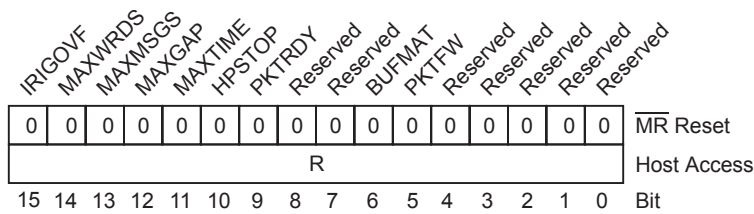
A single \overline{IRQ} host interrupt output signal is shared by all enabled interrupt conditions having bits set in the four Interrupt Output Enable registers (hardware, BC, RT and SMT or IMT). Multiple interrupt-causing events can occur simultaneously, so single or simultaneous interrupt events can assert the \overline{IRQ} host interrupt output.

When the host receives an \overline{IRQ} signal from the device, it identifies the event(s) that triggered the interrupt. Section 9.4 describes two methods for identifying the interrupt source(s). One scheme uses the three low order bits in the Hardware Pending Interrupt Register to indicate when BC, RT, SMT and/or IMT interrupts occur. When MT Interrupt Pending (MTIP) bit 1 used by SMT or IMT is set in the Hardware Pending Interrupt Register, the IMT Pending Interrupt Register contains a nonzero value and may be read next to identify the specific IMT interrupt event(s). Or, the host can directly interrogate the Interrupt Count & Log Address Register, followed by the Interrupt Log Buffer. Data sheet section 9.4 has a detailed description.

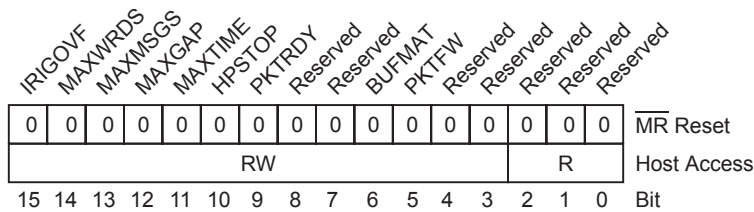
16.19.1. IMT Bus Monitor Interrupt Enable Register (0x0011)



16.19.2. IMT Bus Monitor Pending Interrupt Register (0x0008)



16.19.3. IMT Bus Monitor Interrupt Output Enable Register (0x0015)



These three registers govern IMT interrupt behavior: the IMT Interrupt Enable Register, the IMT Pending Interrupt Register and the IMT Interrupt Output Enable Register. When a bit is set in the IMT Interrupt Enable Register, the corresponding IMT interrupt is enabled. When a bit is reset in this register, the corresponding interrupt event is unconditionally disregarded. Setting a register bit from 0 to 1 does not trigger interrupt recognition for events that occurred while the bit was zero.

When an enabled IMT interrupt event occurs, the corresponding bit is set in the IMT Pending Interrupt Register and the Interrupt Log Buffer is updated. To simplify interrupt decoding, MTIP bit 1 in the Hardware Pending Interrupt Register is also set whenever one or more bits are set in the IMT Pending Interrupt Register.

If the corresponding bit is already set in the IMT Interrupt Output Enable Register, the $\overline{\text{IRQ}}$ output pin is asserted at Pending Interrupt Register assertion. The IMT Interrupt Output Enable Register establishes two priority levels: high priority interrupts generate an $\overline{\text{IRQ}}$ output while low priority interrupts do not. Both priority levels update the IMT Pending Interrupt Register and the Interrupt Log Buffer. The host detects low priority (masked) interrupts by polling IMT Pending Interrupt Register.

The table below first describes the common bits 15-3 in all three IMT interrupt registers and then describes register-to-register differences for bits 2-0.

HI-6130, HI-6131

Bit No.	Mnemonic	Function
15	IRIGOVF	IRIG-106 Buffer Overflow. Since start-of-packet, data recording got within 64 words of overwriting the Packet Start Address. The in-process packet terminated at end-of-message. Next message begins next packet.
14	MAXWRDS	IRIG-106 Maximum MIL-STD-1553 Word Count Interrupt. The in-process packet terminated at end-of-message when the number of MIL-STD-1553 message words recorded in the packet attained the maximum word count stored in the MT Packet Maximum MIL-STD-1553 Word Count Register at address 0x002B.
13	MAXMSGs	IRIG-106 Maximum Message Count Interrupt. The in-process packet terminated at end-of-message when the number of recorded MIL-STD-1553 messages equals the maximum message count stored in the IMT Packet Maximum Message Count Register at address 0x002A.
12	MAXGAP	IRIG-106 Maximum Gap Time Exceeded Interrupt. The in-process packet terminated when the bus monitor encountered a MIL-STD-1553 message gap interval exceeding the maximum gap time stored in the MT Packet Maximum Gap Time Register at address 0x002D.
11	MAXTIME	IRIG-106 Maximum Recording Time Exceeded Interrupt. The in-process packet terminated when the bus monitor reached the maximum packet time stored in the MT Maximum Packet Time Register at address 0x002C. When timeout occurs, packet finalization occurs after completion of an unfinished message.
10	HPSTOP	Host Packet Stop Interrupt. The host asserted the PKSTOP bit in the MT Configuration Register to stop the bus monitor. Recording stopped after in-process message completion.
9	PKTRDY	Packet Ready Interrupt. Above register bits 15-10 are logically ORed to derive the state of this bit.
8	Reserved	This bit is not used in IMT monitor mode. It should be initialized logic 0 in the IMT Interrupt Enable Register.
7	Reserved	This bit is not used in IMT monitor mode. It should be initialized logic 0 in the IMT Interrupt Enable Register.
6	BUFMAT	Buffer Address Match Interrupt. The buffer pointer value has reached the interrupt address in Word 3 of the IMT Address List.
5	PKTFW	Packet Fill Warning Interrupt. Host previously initialized Word 7 in the IMT Address List with a word count value, N. The current buffer pointer address has reached N words before overwriting the Current Packet Start Address stored in Word 1 of the IMT Address List.
4	Reserved	This bit is not used in IMT monitor mode. It should be initialized logic 0 in the IMT Interrupt Enable Register.
3	Reserved	This bit is not used in IMT monitor mode. It should be initialized logic 0 in the IMT Interrupt Enable Register.

HI-6130, HI-6131

<i>Bit No.</i>	<i>Mnemonic</i>	<i>Function</i>
2 - 0	Reserved	Bits 2-0 cannot be written, and read back 000.

17. SINGLE OR DUAL REMOTE TERMINAL(S) – OVERVIEW

The HI-613x can operate as one or two autonomous MIL-STD-1553 Remote Terminals, requiring minimal host support. When a single Remote Terminal (RT) is enabled, its configuration and operation is nearly identical to the Holt HI-612x integrated circuit. When two RTs are enabled, they operate simultaneously and independently, with the full flexibility of the Holt HI-612x remote terminal architecture. Designated as RT1 and RT2, the configuration registers for the two terminals are completely duplicated, although certain (i.e., interrupt management) registers are shared between the two RTs. Each terminal has its own Descriptor Table, command Illegalization Table and host interrupt configuration.

The discrete input / output pins for the two Remote Terminals are completely duplicated. The following signal pins are provided for Remote Terminals RT1 and RT2:

- RT1 and RT2 Terminal Address 4 - 0 input pins
- RT1 and RT2 Terminal Address Parity input pins
- RT1 and RT2 (Address) Lock input pins
- RT1 and RT2 Enable input pins
- RT1 and RT2 Subsystem Fail input pins
- RT1 and RT2 Mode Code 8 (Reset Remote Terminal) output pins

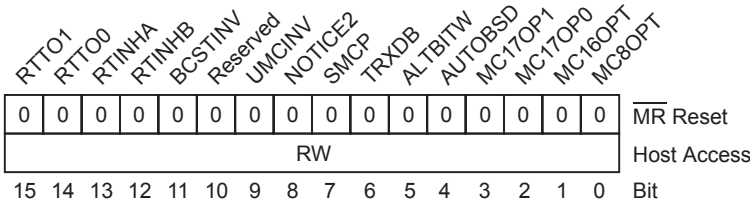
By writing the Master Status and Reset Register, Remote Terminals RT1 and RT2 can be independently reset using “soft reset”. Either or both RTs can be configured to automatically assert soft reset when a valid “Reset Remote Terminal” mode code command is received. In this configuration, the serial auto-initialization EEPROM should already be programmed with the desired attributes for the two terminals. When a broadcast “Reset Remote Terminal” mode code command is received, RT1 and RT2 perform soft reset independently, although the read-from-EEPROM time interval is doubled.

In this section of the data sheet, the Remote Terminal registers are described first, followed by the details for configuring and operating one or both RTs.

18. REGISTERS USED BY REMOTE TERMINALS RT1 AND RT2

In addition to the registers described here, HI-6131 Remote Terminals RT1 and RT2 also utilize one or more Memory Address Pointer registers (described in Section 9.11) for managing SPI read/write operations. This comment does not apply for parallel bus interface HI-6130 designs.

**18.1. Remote Terminal 1 (RT1) Configuration Register (0x0017)
Remote Terminal 2 (RT2) Configuration Register (0x0020)**



Bit No.	Mnemonic	R/W	Reset	Function		
15 – 14	RTTO1:0	R/W	0	RT-RT Time Out Select. This 2-bit field selects the “no response” time-out delay for RT-to-RT receive commands from four available selections:		
				Bit 15:14	Bus Dead Time	RT-RT Time Out
				00	15µs	57µs
				01	20µs	62µs
				10	80µs	122µs
				11	138µs	180µs
				For RT-RT commands, time out delay is measured per Figure 8 in the RT Validation Test Plan, SAE AS4111. That is, from mid-parity of the receive command to mid-sync of the first received data word. This interval includes 20µs each for the embedded transmit command word and transmit-RT status word within this span.		
13	RTINHA	R/W	0	RT Bus A Inhibit. If this bit is logic 1, Bus A for this RT is inhibited, as defined by the BSDTXO bit 3 in “Master Configuration Register (0x0000)”. The BSDTXO bit offers two options: inhibit transmit and receive, or inhibit only transmit. Setting the RTINHA bit inhibits Bus A for just this RT, while allowing normal Bus A operation by the BC or the other RT. Note: If this bit is logic 0, Bus A is not inhibited here but its operation may otherwise be globally inhibited by logic 1 at the TXINHA pin, or logic 1 at the TXINHA bit in the Master Status & Reset Register.		

HI-6130, HI-6131

Bit No.	Mnemonic	R/W	Reset	Function
12	RTINHB	R/W	0	<p>RT1 Bus B Inhibit.</p> <p>If this bit is logic 1, Bus B for this RT is inhibited, as defined by the BSDTXO bit in register 0. The BSDTXO bit offers two options: inhibit transmit and receive, or inhibit only transmit. Setting the RTINHB bit inhibits Bus B for just this RT, while allowing normal Bus B operation by the BC or the other RT.</p> <p>Note: If this bit is logic 0, Bus B is not inhibited here for this RT but its operation may otherwise be globally inhibited by logic 1 at the TXINHB pin, or logic 1 at the TXINHB bit in the Master Status & Reset Register.</p>
11	BCSTINV	R/W	0	<p>Broadcast Commands Invalid.</p> <p>If this bit is high, commands addressed to RT address 31 are treated as invalid: There is no terminal recognition of commands to RT address 31; there is no RT command response, and no status updating for the benefit of following “transmit status” or “transmit last command” mode commands. If this bit is low, commands addressed to RT address 31 are treated as valid broadcast commands.</p>
10	Reserved	R/W	0	<p>This bit must be written “0”.</p> <p>Writing a “1” to this bit may cause unpredictable results.</p>
9	UMCINV	R/W	0	<p>Undefined Mode Codes Invalid.</p> <p>This bit determines whether the RT treats undefined mode code commands as valid (default) or invalid commands. This bit applies only to the following undefined mode code commands:</p> <ul style="list-style-type: none"> • Mode Codes 0 through 15 with T/R bit = 0 • Mode Codes 16, 18 and 19 with T/R bit = 0 • Mode Codes 17, 20 and 21 with T/R bit = 1 <p>If this bit is low (default state after nMR pin reset) undefined mode code commands are considered valid, and RT response is based on individual mode command settings in the Illegalization Table: If mode command is legal, the RT “responds in form” and updates status. If a mode command is illegal, the RT asserts Message Error status and (if non-broadcast) transmits only its Status Word without associated data word.</p> <p>If this bit is high, undefined mode code commands are treated as invalid: There is no RT recognition of an invalid command, no RT command response, and no status updating for the benefit of following “transmit status” or “transmit last command” mode commands.</p>
8	NOTICE2	R/W	0	<p>Notice 2 Broadcast Data Storage.</p> <p>If this bit is high, the terminal stores data associated with broadcast commands separately from data associated with non-broadcast commands to meet the requirements of MIL-STD-1553B Notice 2. If this bit is low, broadcast command data is stored in the same buffer with data from non-broadcast commands.</p>
7	SMCP	R/W	0	<p>Simplified Mode Command Processing.</p> <p>When this bit is asserted, the respective remote terminal RT1 or RT2 applies “Simplified Mode Command Processing” for all valid mode code commands, as described in Section 21.5 on page 222.</p>

HI-6130, HI-6131

<i>Bit No.</i>	<i>Mnemonic</i>	<i>R/W</i>	<i>Reset</i>	<i>Function</i>
6	TRXDB	R/W	0	<p>Temporary Receive Data Buffer.</p> <p>When this bit is asserted, the respective remote terminal RT1 or RT2 enables a temporary receive data buffer used during receive commands. See Section 19.3 on page 176. When this bit is asserted, RT1 or RT2 stores received data words in a 32-word data buffer during message processing. Only after error-free message completion, are the buffered words written into the data buffer memory assigned to the specific subaddress in the RT1 or RT2 Descriptor Table. This bit should only be modified when RT1STEX and RT2STEX bits are low in Master Configuration Register 0x0000 (see Section 9.1 on page 32). Changing the TRXDB bit when the RT1STEX or RT2STEX configuration bit is logic-1 causes unpredictable results.</p>
5	ALTBITW	R/W	0	<p>Alternate BIT Word Enable.</p> <p>When this bit is logic 0, the respective remote terminal RT1 or RT2 responds to a “transmit BIT word” mode command (MC19) by sending the word stored in its Built-In Test Word register. The Built-In Test Word register for RT1 resides at address 0x001E. The Built-In Test Word register for RT2 is at address 0x0027.</p> <p>When this bit is logic 1, the respective remote terminal RT1 or RT2 responds to a “transmit BIT word” mode command (MC19) by sending the word stored in its Alternate Built-In Test Word register. The Alternate Built-In Test Word register for RT1 resides at address 0x001F. The Alternate Built-In Test Word register for RT2 is at address 0x0028. Using an Alternate Built-In Test Word register allow the user to fully define the BIT word, while the default Built-In Test Word register locations contain several predefined, device-controlled status bits.</p>

HI-6130, HI-6131

Bit No.	Mnemonic	R/W	Reset	Function
4	AUTOBSD	R/W	0	<p>Automatic Bus Shutdown Enable.</p> <p>Note: Mode commands MC4 and MC5 are not affected by the AUTOBSD bit, but are included in this description to present a complete picture of device response to bus shutdown mode commands.</p> <p>The Bus Controller exercises “shutdown” control over Remote Terminal connections to the inactive MIL-STD-1553 bus using the “transmitter shutdown” (MC4) or “selected transmitter shutdown” MC20 (decimal) mode code commands. These apply only to the inactive bus. The RT cannot shutdown the bus where the command is received. When the inactive bus transmitter is shutdown, the device inhibits further transmission on that bus for the affected RT(s). Once shutdown, the transmitter can be reactivated by (a) an “override transmitter shutdown” (MC5) mode command, (b) an “override selected transmitter shutdown” (MC21) mode command, (c) a “reset remote terminal” (MC8) mode command, (d) asserting hardware MR master reset or (e) software reset initiated by setting the RT1RESET or RT2RESET in “Master Status and Reset Register (0x0001)”.</p> <p>When the AUTOBSD bit is reset, the device automatically performs bus shutdown and shutdown override in response to mode commands. When the AUTOBSD bit is set, the device only transmits status; the host must perform bus shutdown and override duties by asserting control of the TXINHA and TXINHB bits in “Master Configuration Register (0x0000)”, or by controlling the input pins with the same function.</p> <p>Mode commands MC4 (“transmitter shutdown”) and MC5 (“override transmitter shutdown”) have unconditional shutdown or override response. When MC4 is received, the terminal fulfills shutdown for the inactive bus, disabling the transmitter and receiver, or transmitter only, depending on the state of the BSDTXO bit in “Master Configuration Register (0x0000)”. The device affirms shutdown status by setting the corresponding “shutdown status” bits 15-12 in the applicable RT Built-In Test (BIT) Word Register (0x001E for RT1 or 0x0027 for RT2). When mode command MC5 is received, inactive bus transmit and receive is automatically reenabled by the device; “shutdown override” status is affirmed by resetting the corresponding “shutdown status” bits 15-12 in the applicable RT Built-In Test (BIT) Word Register (0x001E for RT1 or 0x0027 for RT2).</p>

HI-6130, HI-6131

Bit No.	Mnemonic	R/W	Reset	Function				
4	AUTOBSD (continued)	R/W	0	<p>The “selected transmitter shutdown” (MC20) and “override selected transmitter shutdown” (MC21) mode commands act similarly to MC4 and MC5 respectively, except bus shutdown (or shutdown override) is conditional, based on the value of a mode data word received with the command. To act on a given bus, the received mode data word must match a predetermined “bus select” value. Bus shutdown (or shutdown override) can only act on the inactive bus, and only when the received mode data word matches the “bus select” value for that bus. When a MC20 mode data word matches the “bus select” value for the inactive bus, the terminal fulfills shutdown for the inactive bus, disabling the transmitter and receiver, or transmitter only, depending on the state of the BSDTXO bit in “Master Configuration Register (0x0000)”. The device affirms shutdown status by setting the corresponding “shutdown status” bits 15-12 in the applicable RT Built-In Test (BIT) Word Register (0x001E for RT1 or 0x0027 for RT2). When a MC21 mode data word matches the “bus select” value for the inactive bus, the terminal fulfills shutdown override for the inactive bus, enabling the transmitter (and receiver, if BSDTXO bit in “Master Configuration Register (0x0000)” is logic 0). The device affirms override status by resetting the corresponding “shutdown status” bits 15-12 in the applicable RT Built-In Test (BIT) Word Register (0x001E for RT1 or 0x0027 for RT2).</p> <p>When the AUTOBSD bit equals zero, unique “bus select” values should be initialized by the host in the applicable RT Bus A Select Register (0x001C for RT1 or 0x0025 for RT2) and applicable RT Bus B Select Register (0x001D for RT1 or 0x0026 for RT2) for fulfillment of “selected transmitter” shutdown and override mode commands. When AUTOBSD equals zero, transmitter shutdown (or shutdown override) automatically occurs when the received mode data value matches the inactive bus “Bus Select” register.</p> <p>Below shows device response for “transmitter shutdown” and “override transmitter shutdown” mode code commands for different configuration options:</p>				
The AUTOBSD bit in RT1 or RT2 Configuration Registers is logic 0 or 1								
				<table border="1" style="width: 100%; border-collapse: collapse;"> <tr> <td style="text-align: center; width: 25%;">MC4 (or MC5) unconditional fulfillment</td> <td style="text-align: center; width: 25%;">Inactive Bus Tx & Rx Disabled (Enabled). <i>(only Tx is disabled, if the BSDTXO config. bit = 1)</i></td> <td style="text-align: center; width: 25%;">Status Word transmitted, unless broadcast</td> <td style="text-align: center; width: 25%;">In BIT Word Register, TXSD & RXSD bits updated. <i>(only TXSD bit updated, if the BSDTXO config. bit = 1)</i></td> </tr> </table>	MC4 (or MC5) unconditional fulfillment	Inactive Bus Tx & Rx Disabled (Enabled). <i>(only Tx is disabled, if the BSDTXO config. bit = 1)</i>	Status Word transmitted, unless broadcast	In BIT Word Register, TXSD & RXSD bits updated. <i>(only TXSD bit updated, if the BSDTXO config. bit = 1)</i>
MC4 (or MC5) unconditional fulfillment	Inactive Bus Tx & Rx Disabled (Enabled). <i>(only Tx is disabled, if the BSDTXO config. bit = 1)</i>	Status Word transmitted, unless broadcast	In BIT Word Register, TXSD & RXSD bits updated. <i>(only TXSD bit updated, if the BSDTXO config. bit = 1)</i>					

HI-6130, HI-6131

Bit No.	Mnemonic	R/W	Reset	Function			
4	AUTOBSD (continued)	R/W	0	The AUTOBSD bit in RT1 or RT2 Configuration Registers is logic 0			
				MC20 (or MC21) if mode data value matches "Bus Select" value	Inactive Bus Tx & Rx Disabled (Enabled). (<i>only Tx is disabled, if the BSDTXO config. bit = 1</i>)	Status Word transmitted, unless broadcast	In BIT Word Register, TXSD & RXSD bits updated. (<i>only TXSD bit updated, if the BSDTXO config. bit = 1</i>)
				MC20 (or MC21) if mode data does NOT match "Bus Select" value	Inactive Bus Tx & Rx status not changed	Status Word transmitted, unless broadcast	In BIT Word Register, TXSD & RXSD bits are static
				The AUTOBSD bit in RT1 or RT2 Configuration Registers is logic 1			
				MC20 (or MC21) if mode data value matches "Bus Select" value	Inactive Bus Tx & Rx status NOT changed (<i>Host can modify RTINH bits 13,12 in RT1 or RT2 Config. Registers</i>)	Status Word transmitted, unless broadcast	In BIT Word Register, TXSD & RXSD bits are static
				MC20 (or MC21) if mode data does NOT match "Bus Select" value	Inactive Bus Tx & Rx status not changed	Status Word transmitted, unless broadcast	In BIT Word Register, TXSD & RXSD bits are static
3 – 2	MC17OP1:0	R/W	0	<p>MC17 Sync Option Bits 1:0</p> <p>If register bits 3-2 equal 11, the data word received with a valid "synchronize" mode command (MC17) is unconditionally loaded into the Time-Tag counter, at address 0x0049 for RT1 or 0x004B for RT2. For non-broadcast MC17 commands, the counter load occurs before status word transmission. If register bits 3-2 equal 00, the external host assumes responsibility for actions needed to perform "synchronize" duties upon reception of the valid MC17 "synchronize" mode code command, but status transmission automatically occurs.</p> <p>The binary 01 and 10 combinations of register bits 3-2 support certain extended subaddress schemes. If bits 3-2 equal 01, the received data word is automatically loaded into the Time-Tag counter if bit 0 of the received data word equals 0. The counter resides at address 0x0049 for RT1 or 0x004B for RT2. If bits 3-2 equal 10, the received data word is automatically loaded into the Time-Tag counter if bit 0 of the received data word equals 1. For non-broadcast MC17 commands, the counter load occurs before status word transmission.</p>			

HI-6130, HI-6131

Bit No.	Mnemonic	R/W	Reset	Function
1	MC16OPT	R/W	0	Host reset of “service request” status bit for mode code 16. If this bit is logic 0, reception of a “transmit vector word” mode command (MC16) causes automatic reset of the Service Request status bit. The Service Request bit is reset in the Status Word Bits register before status word transmission begins. If this bit is logic 1, the external host assumes responsibility for resetting the Service Request bit in the Status Word Bits register.
0	MC8OPT	R/W	0	Automatic soft reset for mode code 8. If this bit is logic 0, reception of a “reset remote terminal” mode command (MC8) causes automatic assertion of SRESET software reset. If non-broadcast mode command, reset occurs after status word transmission is complete. If this bit is logic 1, the external host assumes responsibility for actions needed to perform terminal reset.

18.2. Remote Terminal 1 (RT1) Operational Status Register (0x0018) Remote Terminal 2 (RT2) Operational Status Register (0x0021)

RTA4	RTA3	RTA2	RTA1	RTA0	RTAP	LOCK	Reserved	Reserved	Reserved	MCND	MCRD	MCTD	RTAPF	Reserved	Reserved	
These bits latch pins							0	0	0	0	0	0	0	0	0	0
RW (see LOCK bit 9)							R									$\overline{\text{MR}}$ Reset
15	14	13	12	11	10	9	8	7	6	5	4	3	2	1	0	Bit

At rising edge on the $\overline{\text{MR}}$ Master Reset input pin, register bits 15-9 capture the logic states (0 or 1) of the corresponding input pins having like names. After reset, register bits 15-9 can be overwritten only if LOCK bit 9 is logic 0. If the register LOCK bit is logic 1, these bits are read-only.

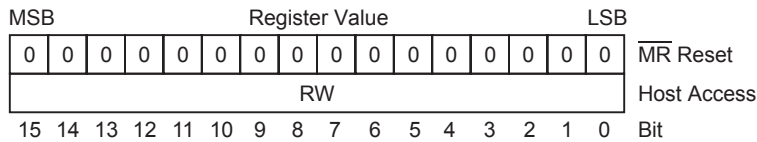
Bits 8-0 are read-only; these bits are cleared after $\overline{\text{MR}}$ pin master reset, but are unaffected by assertion of RTxRESET remote terminal software reset in the Master Status and Reset Register (0x0001).

Bit No.	Mnemonic	R/W	Reset	Function
15 – 11 10	RTA4:0 RTAP	R/W	0	Remote Terminal Address bits 4-0. Remote Terminal Address Parity. These bits reflect the active remote terminal address. They reflect the state of the input pins RTA4 through RTA0 that applied at the rising edge of the $\overline{\text{MR}}$ master reset input signal. The RTAP bit, when appended to the remote terminal address bits, provides odd parity. If the register LOCK bit is high, bits 15-10 are read-only. If the register LOCK bit is low, the host can overwrite these bits change the terminal address and parity.

HI-6130, HI-6131

Bit No.	Mnemonic	R/W	Reset	Function
15	TXANDCLR	R/W	0	<p>Transmit and Clear.</p> <p>When this bit is set, it resets itself and bits 9-5 and 3-0 after the next transmitted status word. This bit does not affect operation of the Transmit Status Word and Transmit Last Command mode codes. Example: Transaction of a valid legal command with the INST and TXANDCLR bits asserted results in status word transmission with the Instrumentation bit set. If the following command is Transmit Status or Transmit Last Command mode code, the Instrumentation bit remains set.</p>
14 – 11	Reserved	R	0	These bits are not used, cannot be written, always read back 0000.
10	ME	R	0	<p>Message Error status bit.</p> <p>The device maintains this read-only bit, based on prior message results.</p>
9	INST	R/W	0	<p>Instrumentation status bit.</p> <p>The host maintains this read-write bit.</p>
8	SVCREQ	R/W	0	<p>Service Request status bit.</p> <p>The host maintains this read-write bit. If the RT's Configuration Register MC16OPT bit equals 0, reception of a "transmit vector word" mode command (MC16) causes automatic reset of the SVCREQ status bit in this register; when this occurs, the register bit is reset before status word transmission begins.</p>
7 – 5	Reserved	R	0	These bits are not used, cannot be written, always read back 000.
4	BCR	R	0	<p>Broadcast Command Received status bit.</p> <p>The device maintains this read-only bit, based on prior message results.</p>
3	BUSY	R/W	0	<p>Busy status bit.</p> <p>The host maintains this read-write bit. When set, the RT asserts its Busy bit in status response for all valid commands. Instead of enabling Busy for all commands, the host can assert Busy status for selected commands by asserting the Busy bit in descriptor table Control Words for the individual commands. When response to a command conveys Busy status, the RT suppresses transmission of data words that would normally accompany</p> <p>status for transmit commands. For messages transacted with Busy status, the WASBUSY flag is asserted in the stored Message Information Word.</p>
2	SSYSF	R/W	0	<p>Subsystem Fail status bit.</p> <p>The host maintains this read-write bit. This register bit is logically ORed with the RTxSSF input pin. If either SSYSF register bit or RTxSSF pin is asserted, the SSYSF Subsystem Flag status bit is set.</p>
1	Reserved	R	0	This bit is not used, cannot be written and always reads back 0.

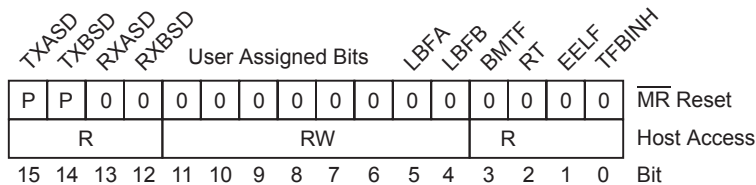
18.9. Remote Terminal 1 (RT1) Bus B Select Register (0x001D) Remote Terminal 2 (RT2) Bus B Select Register (0x0026)



These 16-bit registers are Read-Write and are fully maintained by the host. These registers are cleared after $\overline{\text{MR}}$ pin master reset, but are unaffected by assertion of RTxRESET remote terminal software reset in the Master Status and Reset Register (0x0001).

The Bus B Select register is only used when the AUTOBSD bit in the RT Configuration Register equals 0. This AUTOBSD setting means the device automatically fulfills mode commands MC20 (decimal) “selected transmitter shutdown” or MC21 “override selected transmitter shutdown”. “Transmitter shutdown” or “shutdown override” can only occur for the inactive bus. If either mode command is received on Bus A, the inactive bus is Bus B. The device compares the received mode data word to the contents of the Bus B Select register to determine whether inactive Bus B is selected for “transmitter shutdown” or “transmitter shutdown override”. (Bus shutdown or shutdown override can only occur for the inactive bus.) If the data word matches the value stored in the Bus B Select register and AUTOBSD equals 0, the device automatically fulfills MC20 “transmitter shutdown” or MC21 “shutdown override” without host assistance: If the mode command received was MC20 (bus shutdown), the Transmit Shutdown B bit in the RT’s BIT (built-in test) Word Register is asserted. If mode command MC21 (override bus shutdown) was received, the Transmit Shutdown B bit in the BIT Word Register is negated.

18.10. Remote Terminal 1 (RT1) Built-In Test (BIT) Word Register (0x001E) Remote Terminal 2 (RT2) Built-In Test (BIT) Word Register (0x0027)



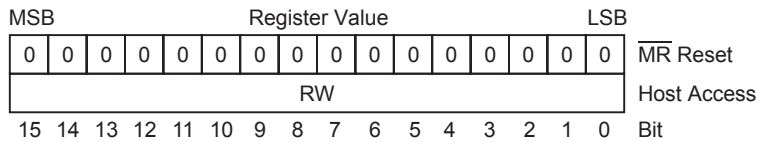
Bits 11-4 in these 16-bit registers are read-write; the remaining bits are read-only. The ten assigned bits are written by the device when predetermined events occur. The host may overwrite the device-written bits 5 and 4. After $\overline{\text{MR}}$ pin master reset, bits 13-12, 5-4 and 0 are reset. Bits 15-14 will be set if the corresponding TXINHA or TXINHB input pins are high. Bits 3-1 will be set if RT address parity error, or post-MR memory test failure or auto-initialization failure occurred. These registers are not affected by assertion of RTxRESET remote terminal software reset in the Master Status and Reset Register (0x0001). Remote terminals RT1 and RT2 use independent BIT Word registers.

If the ALTBITW option bit in the RT1 or RT2 Configuration Register is zero when a valid “transmit BIT word” mode command (MC19) is received, the current value in this register is transmitted as the mode data word in the terminal response. The value is also copied to the Remote Terminal’s assigned data buffer for MC19, after mode command fulfillment.

HI-6130, HI-6131

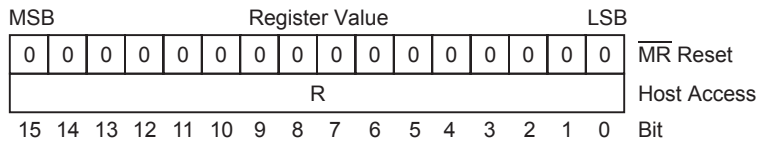
Bit No.	Mnemonic	R/W	Reset	Function
15 14	TXASD TXBSD	R	0	<p>Transmit Bus A Shutdown. Transmit Bus B Shutdown.</p> <p>These read-only bits are set when the corresponding bus transmitter was disabled by assertion of the bus TXINHA or TXINHB input pin, or by fulfillment of a “transmitter shutdown” mode command, either MC4 or MC20. Refer to the description for the BSDTXO bit in the Master Configuration Register (page 32) and the description for the AUTOBSD bit in the RT Configuration Register for further information.</p>
13 12	RXASD RXBSD	R	0	<p>Receive Bus A Shutdown. Receive Bus B Shutdown.</p> <p>These read-only bits are set when the corresponding bus receiver was disabled concurrently with a bus transmitter by a “transmitter shutdown” mode command MC4 or MC20. Refer to the description for the BSDTXO bit in the Master Configuration Register (Section 9.1) and the description for the AUTOBSD bit in the RT Configuration Register for further information.</p>
11 – 6	-----	R/W	0	User assigned bits.
5 4	LBFA LBFB	R/W	0	<p>Bus A Loopback Fail. Bus B Loopback Fail.</p> <p>These bits are set if Bus A or Bus B loopback failure occurs during self-test (see Section “24.2.1. Self-Test Control Register (0x0028)” on page 237).</p>
3	BMTF	R	0	<p>BIST Memory Test Fail.</p> <p>This bit is set if error occurs during built-in self-test for device Random Access Memory (RAM) (see Section “24.2.1. Self-Test Control Register (0x0028)” on page 237).</p>
2	RTAPF	R	0	<p>RT Address Parity Fail.</p> <p>This bit is asserted when an RT1 or RT2 Operational Status Register bits 15:10 reflect parity error. After \overline{MR} master reset, bits 15:10 in the RT’s Operational Status Register reflect input pin states, but will be overwritten if subsequent auto-initialization is performed (if AUTOEN pin is high) and the initialization EEPROM contains different data for RT Operational Status Register bits 15:10.</p>
1	EELF	R	0	<p>Auto-Initialization EEPROM Load Fail.</p> <p>This bit only applies when auto-initialization is enabled (AUTOEN input pin state equals 1). This bit is set if, after \overline{MR} master reset, failure occurs when copying serial EEPROM to registers and RAM. When this occurs, bit 0 or bit 1 will be set in the “Master Status and Reset Register (0x0001)” to indicate type of failure.</p>
0	TFBINH	R	0	<p>This bit is set when the Terminal Flag status bit is disabled while fulfilling an “inhibit terminal flag bit” mode code command (MC6). This bit is reset if terminal flag status bit disablement is cancelled later by an “override inhibit terminal flag bit” mode code command (MC7).</p>

18.11. Remote Terminal 1 (RT1) Alternate Built-In Test (BIT) Word Register (0x001F) Remote Terminal 2 (RT2) Alternate Built-In Test (BIT) Word Register (0x0028)



This 16-bit register is Read-Write and is fully maintained by the host. This register is cleared after $\overline{\text{MR}}$ pin master reset. It is not affected by assertion of RTxRESET remote terminal software reset in the Master Status and Reset Register (0x0001). If the ALTBITW option bit in the RT1 or RT2 Configuration Register equals one when a valid “transmit BIT word” mode command (MC19) is received, the current value in this register is transmitted as the mode data word in the terminal response. The value is also copied to the assigned data buffer for MC19, after mode command fulfillment.

18.12. Remote Terminal 1 (RT1) Time Tag Counter Register (0x0049) Remote Terminal 2 (RT2) Time Tag Counter Register (0x004B)



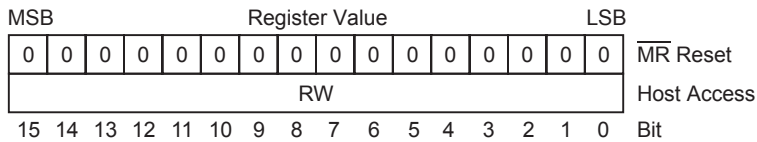
This register is read-only and is cleared after $\overline{\text{MR}}$ pin Master Reset or assertion of RTxRESET remote terminal software reset in the Master Status and Reset Register (0x0001). Reads to this register address return the current value of the free running 16-bit Time Tag counter. Counter resolution is programmed by the TTCK2:0 bits in the Time Tag Configuration Register. Options are: 2, 4, 8, 16, 32 and 64 μ s, or externally provided clock. The same clock source is shared by RT1, RT2 and the BC.

The device automatically resets the Time-Tag Counter when a “synchronize” mode command without data (MC1) is received. In addition, the host can reset, load or capture the Time Tag count at any time by asserting action bits in the Time Tag Configuration Register. Load and capture operations utilize the RT Time Tag Utility Registers, described below.

The MC17OP1:0 bits in the Remote Terminal Configuration Registers allow automatic loading of Time-Tag count using the data word received with a “synchronize with data” mode command, MC17. If both of these bits equal one, the data word received with a valid “synchronize” mode command (MC17) is unconditionally loaded into the Time-Tag counter. For non-broadcast MC17 commands, the counter load occurs before status word transmission. If both MC17OP1 and MC17OP0 bits equal 0, the external host assumes responsibility for actions needed to perform “synchronize” duties upon reception of the valid MC17 “synchronize” command, but status transmission occurs automatically.

The binary 01 and 10 combinations of these bits support certain extended subaddressing schemes. If the MC17OP1:0 bits equal 01, the received data word is automatically loaded into the Time-Tag counter if the low order bit of the received data word (bit 0) equals 0. If the MC17OP1:0 bits equal 10, the received data word is automatically loaded into the Time-Tag counter if the low order bit of the received data word (bit 0) equals 1. For non-broadcast MC17 commands, the counter is loaded before status word transmission.

18.13. Remote Terminal 1 (RT1) Time Tag Utility Register (0x004A) Remote Terminal 2 (RT2) Time Tag Utility Register (0x004C)



These 16-bit registers are Read-Write and are fully maintained by the host. These registers are cleared after $\overline{\text{MR}}$ pin master reset, but are not affected by assertion of RTxRESET remote terminal software reset in the Master Status and Reset Register (0x0001). These registers have two functions associated with the two free-running Remote Terminal Time Tag Counters:

18.13.1. RT Time Tag Counter Loading

When the RT1TTA1-0 bits 9-8 in Time Tag Counter Configuration Register 0x0039 are written to 1-0, the value contained in the RT1 Time Tag Utility Register (0x004A) is loaded into the RT1 Time Tag Counter (0x0049).

When the RT2TTA1-0 bits 11-10 in Time Tag Counter Configuration Register 0x0039 are written to 1-0, the value contained in the RT2 Time Tag Utility Register (0x004C) is loaded into the RT2 Time Tag Counter (0x004B).

18.13.2. RT Time Tag Count Match Interrupts

If the RT1TTM or RT2TTM interrupts are enabled in the Hardware Interrupt Enable Register (0x000F), then time tag “count match” interrupts are enabled. When enabled for RT1, the hardware RT1TTM interrupt occurs when the free running RT1 Time Tag Counter (0x0049) matches the value contained in the RT1 Time Tag Utility Register (0x004A).

When enabled for RT2, the hardware RT2TTM interrupt occurs when the free running RT2 Time Tag Counter (0x004B) matches the value contained in the RT2 Time Tag Utility Register (0x004C).

18.14. RT1 and RT2 Remote Terminal Interrupt Registers and Their Use

Section 9.4 on page 39 through Section 9.6 describe how the host uses three Hardware Interrupt registers, the Interrupt Log Buffer and the Interrupt Count & Log Address Register to manage interrupts. When RT1/RT2 is enabled, three additional registers are dedicated to the RT1/RT2 interrupts. Comparable to the Hardware Interrupt register triplet, RT1/RT2 has

- A RT1/RT2 Interrupt Enable Register to enable and disable interrupts
- A RT1/RT2 Pending Interrupt Register to capture the occurrence of enabled interrupts
- A RT1/RT2 Interrupt Output Enable Register to enable $\overline{\text{IRQ}}$ output to host, for pending enabled interrupts

Each individual bit in all three registers is mapped to the same interrupt-causing event when the corresponding interrupt condition is enabled. Numerous interrupt options are available for RT1/RT2. At initialization, bits are set in the RT1/RT2 Interrupt Enable register to identify the interrupt-causing events for RT1/RT2 which are heeded by the HI-613x. Most RT1/RT2 applications only use a subset of available RT1/RT2 interrupt options. Interrupt-causing events are ignored when their corresponding bits are reset in the RT1/RT2 Interrupt Enable Register. Setting an Interrupt Enable register bit from 0 to 1 does not trigger interrupt recognition for events that occurred while the bit was zero.

Whenever a RT1/RT2 interrupt event occurs (and the corresponding bit is already set in the RT1/RT2 Interrupt Enable Register), these actions occur:

- The Interrupt Log Buffer is updated.
- A bit corresponding to the interrupt type is set in the RT1/RT2 Pending Interrupt Register. The type bit is logically-ORed with the preexisting register value, retaining bits for prior, unserved RT1/RT2 interrupts.
- RT Interrupt Pending (RTIP) bit 1 shared by RT1 and RT2 is set in the Hardware Pending Interrupt Register. The

HI-6130, HI-6131

RTIP bit is logically-ORed with the preexisting register value, retaining bits for unserviced hardware interrupts and the preexisting status of the BCIP and MTIP (Bus Controller and MT) interrupt pending bits.

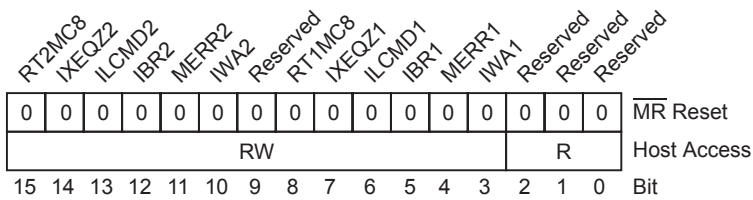
- If the matching bit is already set in the RT1/RT2 Interrupt Output Enable Register, an $\overline{\text{IRQ}}$ output occurs.

If the matching bit in the RT1/RT2 Interrupt Output Enable Register was not already set (i.e., low priority polled interrupt), the host can poll the RT1/RT2 Pending Interrupt Register to detect the occurrence of RT1/RT2 interrupts, indicated by non-zero value. Reading the RT1/RT2 Pending Interrupt Register automatically clears it to 0x0000.

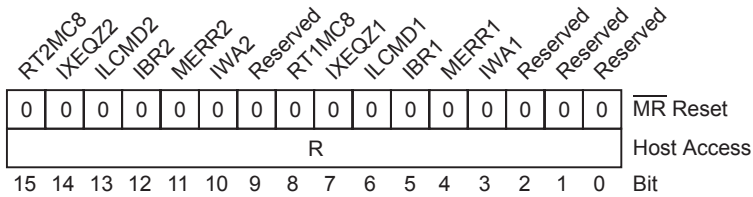
A single $\overline{\text{IRQ}}$ host interrupt output signal is shared by all enabled interrupt conditions having bits set in the four Interrupt Output Enable registers (hardware, BC, RT and SMT or IMT). Multiple interrupt-causing events can occur simultaneously, so single or simultaneous interrupt events can assert the $\overline{\text{IRQ}}$ host interrupt output.

When the host receives an $\overline{\text{IRQ}}$ signal from the device, it identifies the event(s) that triggered the interrupt. Section 9.4 describes two methods for identifying the interrupt source(s). One scheme uses the three low order bits in the Hardware Pending Interrupt Register to indicate when BC, RT, SMT and/or IMT interrupts occur. When RT Interrupt Pending (RTIP) bit 1 shared by RT1 and RT2 is set in the Hardware Pending Interrupt Register, the RT1/RT2 Pending Interrupt Register contains a nonzero value and may be read next to identify the specific RT1/RT2 interrupt event(s). Or, the host can directly interrogate the Interrupt Count & Log Address Register, followed by the Interrupt Log Buffer. Data sheet section 9.4 has a detailed description.

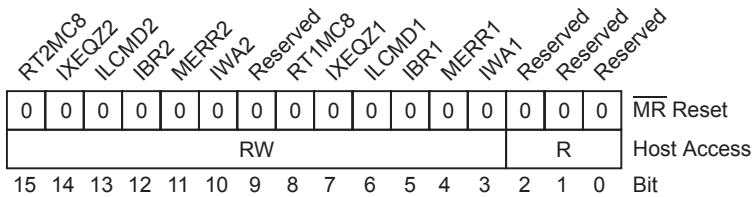
18.14.1. Remote Terminal (RT) Interrupt Enable Register (0x0012)



18.14.2. Remote Terminal (RT) Pending Interrupt Register (0x0009)



18.14.3. Remote Terminal (RT) Interrupt Output Enable Register (0x0016)



Three registers govern RT interrupt behavior: the RT Interrupt Enable Register, the RT Pending Interrupt Register and the RT Interrupt Output Enable Register. When a bit is set in the RT Interrupt Enable Register, the corresponding RT interrupt is enabled. When a bit is reset in this register, the corresponding interrupt event is unconditionally disregarded. Setting a register bit from 0 to 1 does not trigger interrupt recognition for events that occurred while the bit was zero.

When an enabled RT interrupt event occurs, the corresponding bit is set in the RT Pending Interrupt Register and the Interrupt Log Buffer is updated. To simplify interrupt decoding, RTIP bit 2 in the Hardware Pending Interrupt Register is also set whenever a message sets at least one bit in the RT Pending Interrupt Register.

If the corresponding bit is set in the RT Interrupt Output Enable Register, the $\overline{\text{IRQ}}$ output is asserted at message completion. The RT Interrupt Output Enable Register establishes two priority levels: high priority interrupts generate an $\overline{\text{IRQ}}$ output while low priority interrupts do not. Both priority levels update the Pending Interrupt Register and Interrupt Log Buffer. The host can detect low priority (masked) interrupts by polling Pending Interrupt registers. When the IRQOFF bit 0 is set in “Extended Configuration Register (0x004D)” on page 48, $\overline{\text{IRQ}}$ pin assertion for enabled RT interrupt-causing events is suppressed when the command is illegal (Message Error response) or results in RT busy status.

When one or more bits are set in the RT Interrupt Enable Register, occurrence of an enabled RT interrupt-causing event triggers an “Interrupt Log Buffer” update. The Interrupt Identification Word (written to the “Interrupt Log Buffer” on page 41 for RT events) mirrors the RT Pending Interrupt register. **NOTE:** While bit 9 is reserved (always 0) in the RT Pending Interrupt register, bit 9 in the written log buffer Interrupt Identification Word (IIW) has a defined function (see description of INTBUSY bit 2 in “Extended Configuration Register (0x004D)” on page 48).

The following table describes the shared bit descriptions used by all three RT interrupt registers.

HI-6130, HI-6131

Bit No.	Mnemonic	Function
15	RT2MC8	<p>RT2 Mode Code 8 Command Interrupt.</p> <p>Remote terminal RT2 processed a valid MIL-STD-1553 “reset remote terminal” mode code command. An RTxMC8 interrupt notifies the host when the Bus Controller commands remote terminal reset.</p> <p>The state of bit 0 in the RT2 Remote Terminal Configuration Register 0x0020 determines whether the mode code response is automatic or handled by the host. If the RT2MC8 bit is reset in the RT Interrupt Enable register when RT2 decodes a valid “reset remote terminal” mode command, bit 0 in the RT2 Remote Terminal Configuration Register dictates whether the reset response is automatic, or host controlled. The event does not affect the RT Pending Interrupt Register, the Interrupt Log or the \overline{IRQ} output, but the $\overline{RT2MC8}$ output pin is asserted to indicate that RT2 needs reset. In the case of a broadcast command to RT31, both MC8 pins will be asserted.</p>
14	IXEQZ2	<p>RT2 Index Equals Zero Interrupt.</p> <p>The “index equals zero” (IXEQZ) interrupt for RT2. Index counts are used in multi-message bulk data transfers. “Index equals zero” occurs when the last expected message was transacted.</p> <p>Defined IXEQZ interrupt events comprise: (a) subaddresses using indexed buffer mode when the index decrements from 1 to 0, or (b) subaddresses using circular buffer modes when the pre-determined number of messages has been transacted.</p>
13	ILCMD2	<p>RT2 Illegal Command Interrupt.</p> <p>The Remote Terminal 2 encountered a valid illegal message, as defined in the RT2 Illegal Command Table.</p> <p>Illegal commands are detected when a new valid command word is decoded and the RT2 Illegalization Table bit corresponding to the received command is logic 1. (Table bits are logic 0 for legal commands.) The RT2 Illegalization Table contains nonzero values only when “illegal command detection” is being applied. When illegal commands are received, RT2 responds by transmitting a status word with ME “message error” flag set; no data words are transmitted.</p> <p>If the ILCMD2 bit is reset in the RT Interrupt Enable Register when a valid illegal command is decoded, the event does not affect the RT Pending Interrupt Register, the Interrupt Log or the \overline{IRQ} output.</p>
12	IBR2	<p>RT2 Broadcast Command Received Interrupt.</p> <p>Broadcast commands are enabled for Remote Terminal 2 and the terminal encountered a valid command addressed to RT31, the broadcast command address.</p>
11	MERR2	<p>RT2 Message Error Status Interrupt.</p> <p>The Remote Terminal 2 set its Message Error status flag while processing a valid MIL-STD-1553 message. Message errors are caused by Manchester encoding problems or protocol errors.</p>
10	IWA2	<p>RT2 Interrupt When Accessed.</p> <p>The Remote Terminal 2 processed a valid MIL-STD-1553 command having the IWA interrupt enabled in its RT2 Descriptor Table entry. IWA interrupts are used to notify the host each time certain command words are encountered.</p>
9	Reserved	Bit 9 cannot be written and reads back logic 0.

HI-6130, HI-6131

Bit No.	Mnemonic	Function
8	RT1MC8	<p>RT1 Mode Code 8 Command Interrupt.</p> <p>Remote terminal RT1 processed a valid MIL-STD-1553 “reset remote terminal” mode code command. An RTxMC8 interrupt notifies the host when the Bus Controller commands remote terminal reset.</p> <p>The state of bit 0 in the RT1 Remote Terminal Configuration Register 0x0017 determines whether the mode code response is automatic or handled by the host. If the RT1MC8 bit is reset in the RT Interrupt Enable register when RT1 decodes a valid “reset remote terminal” mode command, bit 0 in the RT1 Remote Terminal Configuration Register dictates whether the reset response is automatic, or host controlled. The event does not affect the RT Pending Interrupt Register, the Interrupt Log or the \overline{IRQ} output, but the $\overline{RT1MC8}$ output pin is asserted to indicate that RT1 needs reset. In the case of a broadcast command to RT31, both MC8 pins will be asserted.</p>
7	IXEQZ1	<p>RT1 Index Equals Zero Interrupt.</p> <p>The “index equals zero” (IXEQZ) interrupt for RT1. Index counts are used in multi-message bulk data transfers. “Index equals zero” occurs when the last expected message was transacted.</p> <p>Defined IXEQZ interrupt events comprise: (a) subaddresses using indexed buffer mode when the index decrements from 1 to 0, or (b) subaddresses using circular buffer modes when the pre-determined number of messages has been transacted.</p>
6	ILCMD1	<p>RT1 Illegal Command Interrupt.</p> <p>The Remote Terminal 1 encountered a valid illegal message, as defined in the RT1 Illegal Command Table.</p> <p>Illegal commands are detected when a new valid command word is decoded and the RT1 Illegalization Table bit corresponding to the received command is logic 1. (Table bits are logic 0 for legal commands.) The RT1 Illegalization Table contains nonzero values only when “illegal command detection” is being applied. When illegal commands are received, RT1 responds by transmitting a status word with ME “message error” flag set; no data words are transmitted.</p> <p>If the ILCMD1 bit is reset in the RT Interrupt Enable Register when a valid illegal command is decoded, the event does not affect the RT Pending Interrupt Register, the Interrupt Log or the \overline{IRQ} output.</p>
5	IBR1	<p>RT1 Broadcast Command Received Interrupt.</p> <p>Broadcast commands are enabled for Remote Terminal 1 and the terminal encountered a valid command addressed to RT31, the broadcast command address.</p>
4	MERR1	<p>RT1 Message Error Status Interrupt.</p> <p>The Remote Terminal 1 set its Message Error status flag while processing a valid MIL-STD-1553 message. Message errors are caused by Manchester encoding problems or protocol errors.</p>
3	IWA1	<p>RT1 Interrupt When Accessed.</p> <p>The Remote Terminal 1 processed a valid MIL-STD-1553 command having the IWA interrupt enabled in its RT1 Descriptor Table entry. IWA interrupts are used to notify the host each time certain command words are encountered.</p>
2 – 0	Reserved	Bits 2-0 cannot be written, and read back 000.

19. REMOTE TERMINAL RT1 AND RT2 CONFIGURATION AND OPERATION

19.1. Command Responses

A brief review of MIL-STD-1553 commands and responses is appropriate here to establish terminology used in the rest of this data sheet. Shown in Figure 12, each command word is comprised of a sync field, three 5-bit data fields, a single bit denoting Transmit / Receive direction and ends with a parity bit. The hardware decoder uses the sync field to determine word type (command vs. data). Word validity is based on proper sync encoding, Manchester II encoding, correct bit count and correct odd parity for the 16 data bits. Once a valid word with command sync is found, the sync and parity are stripped before the command's 16 data bits are stored for further processing.

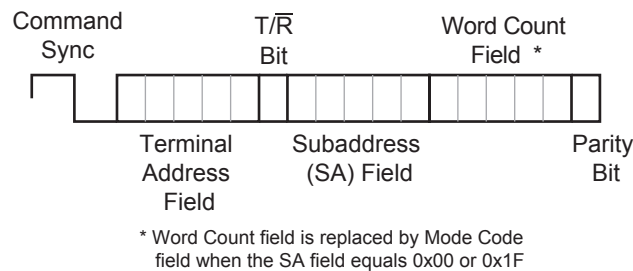


Figure 12. MIL-STD-1553 Command Word Structure

A “valid command” can be specifically addressed to the individual HI-6130 terminal (the command word’s embedded Terminal Address field matches the terminal address latched in the Operational Status register) or can be a “broadcast command” addressed to all terminals. Broadcast commands are always addressed to RT address 31 (0x1F). In systems where broadcast commands are disallowed, RT31 is not used as a conventional terminal address. When set, the BCSTINV bit in the RT Configuration Register renders RT31 commands as “invalid”: broadcast commands are indistinguishable from commands addressed to other terminals. Invalid commands are simply disregarded.

When the command word’s 5-bit SA (subaddress) field is in the range of 1 to 30 (0x01 to 0x1E) the command is considered a “subaddress command”. The terminal will either receive or transmit data words, and “direction” is specified by the command’s T/\bar{R} bit. The number of data words transacted is specified in the 5-bit word count field, ranging from 1 to 32 words. Thirty-two data words is represented when the word count field equals 0x00.

When the command’s 5-bit subaddress field equals 0 or 31 (0x1F) a “mode code” command is indicated; the low order five bits no longer specify a word count, instead they convey a mode code value. This data sheet refers to mode code commands by the mode code number. For example, a mode command with 5-bit mode code field of 0x10 is called MC16, and the full range of mode code values is MC0 through MC31 (decimal).

Mode codes MC16 through MC31 (0x10 through 0x1F) have a single associated data word. When the command T/\bar{R} bit equals 0, the data word is contiguous with the command word and received by the RT. When the command’s T/\bar{R} bit equals 1, the data word is transmitted by the RT, following the terminal’s transmitted status word.

Mode codes MC0 through MC15 (0x0F) do not have associated data words. For these 16 commands, the command T/\bar{R} bit does not specify “direction”. These commands must be transmitted with T/\bar{R} bit equal to 1. If the T/\bar{R} bit is 0, the mode command is “undefined”.

Twenty-two mode commands are “undefined mode commands ” in MIL-STD-1553B:

- Mode Codes 0 through 15 with T/\bar{R} bit = 0
- Mode Codes 16, 18 and 19 with T/\bar{R} bit = 0
- Mode Codes 17, 20 and 21 with T/\bar{R} bit = 1

The UMCINV bit in the RT Configuration Register determines how these undefined mode commands are handled by

HI-6130, HI-6131

the HI-6130/31. If the UMCINV configuration bit equals 1, the undefined mode commands are treated as invalid. They are not recognized by the device. There is no terminal response and status is not updated. If the UMCINV configuration bit equals 0, the 22 undefined mode commands are considered valid; this is the default condition following reset. For this case, terminal response depends on whether or not the application uses “illegal command detection.”

If illegal command detection is not used, all Illegalization Table entries should be logic 0, including the 22 entries for these undefined commands. (The Illegalization Table is fully described in Section 19.2 on page 171. After \overline{MR} reset, all entries equal logic 0.) The terminal responds “in form”, transmitting clear status (and a single mode data word if the command is MC17, MC20 or MC21 with T/\overline{R} bit = 1). Terminal status is updated.

If illegal command detection applies, the Illegalization Table entries for these 22 undefined commands should be initialized to logic 1. In this case, the terminal will respond with status word only, with Message Error bit set. No mode data word is transmitted. Terminal status is updated.

Twenty-seven mode codes are considered “reserved” in MIL-STD-1553B:

- Mode Codes 9 through 15 with T/R bit = 1
- Mode Codes 22 through 31 with T/R bit = 1
- Mode Codes 22 through 31 with T/R bit = 0

Treatment of these reserved mode commands depends on their respective Illegalization Table entries. As described above for undefined mode commands, response depends on whether or not illegal command detection applies.

Any mode commands not implemented in the HI-6130/31 terminal should be treated the same as reserved mode commands.

The important point is that “illegal command detection” should be universally applied (or not applied) when setting up a HI-6130/31 Remote Terminal application. Here are the two options:

Not using illegal command detection. The HI-6130/31 Illegalization Table is left in its default state (all locations equal to \overline{MR} post-reset 0x0000). The terminal responds “in form” to all valid commands, whether legal or illegal.

Using illegal command detection. The HI-6130/31 Illegalization Table is initialized by the host to implement “illegal command detection”. The host sets bits for all illegal commands. This generally includes the reserved and unimplemented mode commands, unimplemented subaddresses (or specific word counts, T/\overline{R} bit states, and/or broadcast vs. non-broadcast status within subaddresses). Treatment for the undefined mode commands depends on UMCINV bit.

The host defines terminal response for all individual commands by initializing the Descriptor Table, fully described later. At this point, a few comments about the Descriptor Table are appropriate.

The command SA (subaddress) field has a range of 0 to 31 (0x1F). When SA is in the range 1 to 30 (0x1E), the command is a transmit or receive “subaddress command”. The number of data words transmitted or received is expressed in the low order 5 bits. When SA equals 0 or 31 (0x1F) the command is a mode command and the mode code value is expressed in the low order 5 bits.

For each subaddress, separate table “descriptor blocks” for transmit and receive commands permit different data buffering to be applied. The host initializes the table so each transmit-subaddress and each receive-subaddress uses one of four methods for storing message data. During table initialization, memory is allocated in shared RAM for storing message data according to the application requirements. Each transmit-subaddress and receive-subaddress has one or more data pointers (depending on buffer method) addressing its reserved data buffer(s).

Each mode command also has its own table “descriptor block”. Mode commands have either one data word or no associated data words. Descriptor words used as data pointers by “subaddress commands” are instead used for direct storage of transacted mode data words. Mode commands that transmit or receive mode data words have a dedicated storage address range in shared RAM, eliminating the need for descriptor table data pointers.

Each mode command with mode data word has its own fixed address for data storage. This includes reserved mode codes with data word. Thus the HI-6130/31 can respond consistently for all mode commands; transmitted data values

for “in form” responses (when “illegal command detection” is not used) can be predetermined, even for the reserved mode commands.

19.1.1. RT to RT Commands.

The MIL-STD-1553 standard allows for data word transmission from a specified transmitting terminal to a different receiving terminal. When broadcast commands are allowed, data transmission can be addressed to the broadcast terminal address, RT31. If broadcast is allowed, the host should initialize the BCSTINV (broadcast invalid) bit in the RT Configuration Register to logic 0.

All RT to RT commands are characterized by a pair of contiguous command words: Command Word 1 is a receive command addressed to the intended receiving terminal, then Command Word 2 is a transmit command addressed to a single transmitting terminal. Command Word 2 cannot be broadcast address RT31. The HI-6130 automatically detects and handles RT to RT commands, except when either command word contains a subaddress field equal to 0x0 or 0x1F. Either subaddress value indicates a mode code command; the device treats RT to RT commands with mode code as invalid. If either RT-RT command word is addressed to the HI-6130/31 terminal but contains subaddress 0x0 or 0x1F, the command is not recognized; there is no RT command response, and no status updating for the benefit of following “transmit status” or “transmit last command” mode commands.

When either RT-RT command word (with subaddress field not equal to 0x0 or 0x1F) is addressed to the HI-6130/21 terminal, but the other command word contains subaddress 0x0 or 0x1F, the RT-RT command is not recognized as valid. There is no RT command response, and no status updating for the benefit of following “transmit status” or “transmit last command” mode commands.

An RT-RT command pair where Command Word 1 is addressed to the HI-6130/21 terminal and Command Word 2 is addressed to a different terminal is considered an “RT-RT receive” command. When the message is transacted, the device sets the RTRT bit in the Receive Subaddress Message Information Word in the subaddress data buffer.

An RT-RT command pair where Command Word 2 is solely addressed to the HI-6130/21 terminal (not RT31) is considered an “RT-RT transmit” command. The Message Information Word does not distinguish the RT to RT transmit message from an ordinary RT to BC transmit command.

19.2. Command Illegalization Table

The following pages describe various structures residing in the RAM shared between the host and HI-6130 or HI-6131 command processing logic. The host initializes these structures to control the terminal’s response to received commands. The first structure described is the command Illegalization Table used for “illegal command detection”.

Illegal command detection is an optional process. When illegal command detection is not used, the terminal “responds in form” to all valid commands: it sends Clear Status and transacts the number of data words defined in the received command. When illegal command detection is not used, the bus controller cannot tell whether the command is legal or illegal, from the terminal’s transmitted response.

If illegal command detection is used, the terminal responds differently when an illegal command is detected. The terminal responds to illegal commands with “message error” status, transmitting only status word. Data word transmission is suppressed if the command type inherently includes transmitted data words. The terminal responds to each legal command with clear status and transacts the number of data words defined in the type of command received.

For consistency, apply illegal command detection to all illegal and unimplemented commands, and to all reserved or undefined mode code commands, or “respond in form” to all of these commands (illegal command detection disabled) by leaving the Illegalization Table in the all-cleared default state after \overline{MR} master reset

The device uses a 256-word “Illegalization Table” in shared RAM to distinguish between legal and illegal commands. After the (\overline{MR}) master reset input is negated, HI-6130/31 performs internal self test including a shared RAM test which leaves all memory locations fully reset. Once self test is complete, the HI-6130/31 READY output goes high to indicate HI-6130/31 readiness for host initialization. At this point, all entries in the Illegalization Table read logic 0, so by default,

HI-6130, HI-6131

illegal command detection is not applied.

To apply illegal command detection, the host (or auto-initialization) writes the Illegalization Table to set bits for all illegal command combinations. This typically includes any unimplemented subaddresses and/or word counts, undefined mode commands, reserved mode commands and any mode commands not implemented in the terminal design. Host initialization of the table can be replaced by auto-initialization.

Once RT1STEX or RT2STEX are set in the “Master Configuration Register (0x0000)”, terminal execution begins. Each time a valid command is received, a 1-bit entry (indexed using command word data bits) is fetched from the Illegalization Table:

If fetched Illegalization Table bit equals logic 0, the command is “legal”; the terminal responds “in form”, transmitting clear status and transacting the number of data words defined for the message type. Terminal status is updated.

If fetched Illegalization Table bit equals logic 1, the command is “illegal”; the terminal responds with status word only, with Message Error bit set. No data words are transmitted. Terminal status is updated.

When illegal command detection is not applied, all table entries should read logic 0; the terminal responds “in form” to all valid commands.

The illegalization scheme allows any subset of command T/\bar{R} bit, broadcast vs. non-broadcast status, subaddress and word count (or mode code number), for a total of 4,096 legal/illegal command combinations. Commands may be illegalized down to the word count level. For example, 10-word receive commands to a given subaddress may be legal, while 9-word receive commands to the same subaddress are illegal.

Broadcast receive commands are illegalized separately from non-broadcast receive commands. Transmit and receive commands for the same subaddress are illegalized separately. For mode commands, any combination of mode code number, T/\bar{R} bit and broadcast/non-broadcast status can be legal or illegal.

The Illegalization Table is located in shared RAM within the fixed address range of 0x0200 to 0x02FF for RT1 and 0x0300 to 0x03FF for RT2. See Figure 13. The table is comprised of 256 16-bit words. To cover the full range of 1 to 32 data words, each subaddress uses a pair of illegalization registers. The lower register (even memory address) covers word counts 0 to 15, using one bit per word count. As in command encoding, “0” denotes 32 data words. Bit 0 corresponds to 32 data words, bit 1 corresponds to 1 data word and bit 15 corresponds to 15 data words. The upper register (odd memory address) similarly covers word counts 16 to 31, using one bit per word count. Bit 0 corresponds to 16 data words, while bit 15 corresponds to 31 data words.

When a command’s subaddress field equals 0 or 31 (0x1F), the command is a mode command. Table entries for mode commands use bits to represent mode code numbers, not word counts. The lower register (even memory address) covers mode codes 0 to 15, using one bit per mode code. Bit 0 corresponds to mode code 0, bit 15 corresponds to mode code 15. The upper register (odd memory address) similarly covers mode codes 16 to 31, using one bit per mode code. Bit 0 corresponds to mode code 16, bit 15 corresponds to mode code 31. There is no functional difference between SA0 mode commands and SA31 mode commands. Since either subaddress indicates a mode command, the subaddress 0 table words should match the subaddress 31 table words in each quadrant.

RT1 table entries from 0x0242 to 0x027D and RT2 table entries from 0x0342 to 0x037D do not have to be programmed. These correspond to broadcast transmit subaddress commands (undefined by MIL-STD-1553B) and are always invalid. There is no terminal response.

Addressing for the Illegalization Table is derived from the command word T/\bar{R} bit, subaddress field, MSB of the Word Count (Mode Code) field and the command’s broadcast vs. non-broadcast status as shown below in Figure 13.

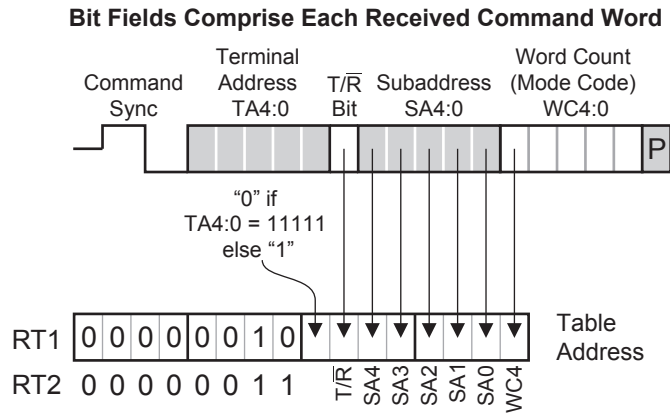


Figure 13. Deriving the Illegalization Table Address From the Received Command Word

Figure 15 on page 175 shows individual bit locations in the Illegalization Table for broadcast and non-broadcast variants of all mode commands defined by MIL-STD-1553B. Locations are also identified for reserved mode codes and undefined mode code commands.

The following examples illustrate how the Illegalization Table is initialized to distinguish between legal and illegal commands when “illegal command detection” is being used. Remember: If the terminal does not use illegal command detection, the table is left in its post- \overline{MR} reset state, with all table locations reset to 0x0000. In this case, all command responses are “in form”.

For “subaddress commands” (ordinary receive commands or transmit commands) individual table bits correspond to word counts specified in the received command word. If a bit is 0, the corresponding word count is legal. If a bit is 1, the corresponding word count is illegal.

For example, transmit commands to RT1 subaddress 1 are controlled by the words at 0x02C2 and 0x02C3. In Figure 14, these words are located in the “RT Address Transmit” block. The word stored at 0x02C3 controls subaddress 1 transmit commands having word counts 16 to 31. The word stored at 0x02C2 controls subaddress 1 transmit commands having word counts 1 to 15 or 32. (Reminder: In MIL-STD-1553B, zero corresponds to 32 words.)

```
Word at 0x02C3 (Tx Subaddr 1) 31 to 16 words
Bit      15 14 13 12 11 10  9  8  7  6  5  4  3  2  1  0
Words   31 30 29 28 27 26 25 24 23 22 21 20 19 18 17 16
```

```
Word at 0x02C2 (Tx Subaddr 1) 15 to 1 & 32 words
Bit      15 14 13 12 11 10  9  8  7  6  5  4  3  2  1  0
Words   15 14 13 12 11 10  9  8  7  6  5  4  3  2  1 32
```

If the word stored at 0x02C3 = 0xFFFF and the word stored at 0x02C2 = 0xFF0F, then commands with 4, 5, 6, or 7 data words are the only legal transmit commands for subaddress 1 and all other word counts are illegal. Receive commands and broadcast receive commands for Subaddresses 1 through 30 are encoded similarly.

For “mode code commands” (characterized by command word subaddress field equal to 00000 or 11111 binary) individual table bits correspond to individual mode code values. Here “transmit” and “receive” simply indicate the state of the command word T/R bit. (For mode codes 0-15, the T/R bit does not indicate data direction since data is not transacted when fulfilling these commands).

HI-6130, HI-6131

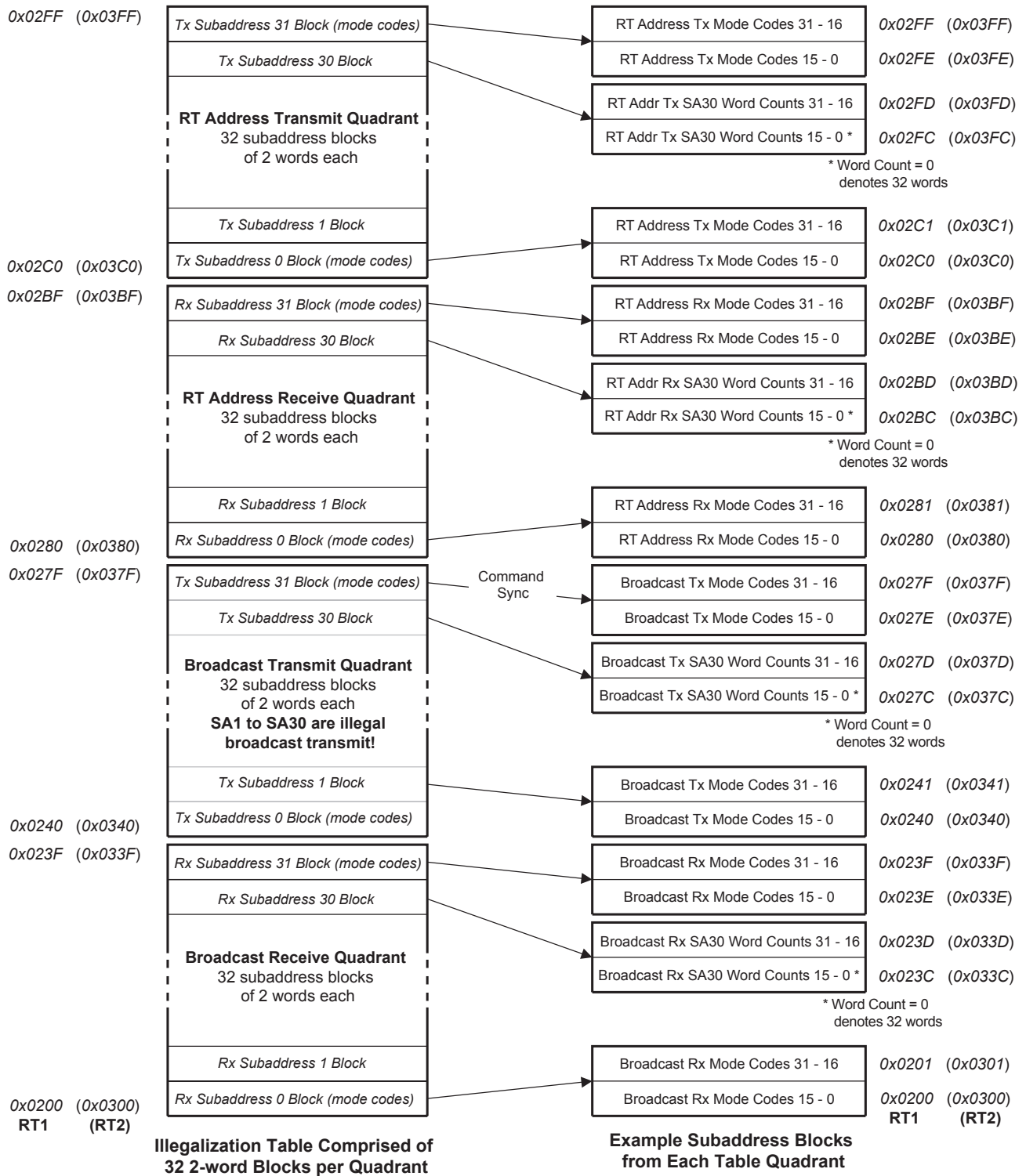


Figure 14. Address Mapping for Illegalization Table

Note: RT1 table default start address is 0x0200. RT2 table default start address is 0x0300

HI-6130, HI-6131

Figure 15 summarizes the 16 Illegalization Table locations for mode commands. These locations are scattered throughout the overall Illegalization Table shown in Figure 13. Remember: the host must initialize all table locations corresponding to both subaddress 0 and subaddress 31 (11111 binary).

Consider an example for RT1 in which all reserved and all undefined mode commands are illegal. If all RT1 defined transmit mode commands are legal except MC0 ("dynamic bus control") the eight table entries for transmit mode commands would be:

0x02FF and 0x02C1 = 1111 1111 1111 0010 = 0xFFFF2 Tx MC with data
 0x02FE and 0x02C0 = 1111 1110 0000 0001 = 0xFE01 Tx MC without data
 0x027F and 0x0241 = 1111 1111 1111 1111 = 0xFFFF Br.Tx MC with data (all illegal)
 0x027E and 0x0240 = 1111 1110 0000 0101 = 0xFE05 Br.Tx MC without data

The receive mode command words are encoded similarly. Continuing the same example where all reserved and all undefined mode commands are illegal: If all RT1 defined receive mode commands are legal, the eight table entries for receive mode commands would be:

0x02BF and 0x0281 = 1111 1111 1100 1101 = 0xFFCD Rx MC with data
 0x02BE and 0x0280 = 1111 1111 1111 1111 = 0xFFFF Rx MC without data (all illegal)
 0x023F and 0x0201 = 1111 1111 1100 1101 = 0xFFCD Br.Rx MC with data
 0x023E and 0x0200 = 1111 1111 1111 1111 = 0xFFFF Br.Rx MC without data (all illegal)

		Bit No.	15	14	13	12	11	10	9	8	7	6	5	4	3	2	1	0		
0x02FF and 0x02C1	Tx MC31 - MC16	Transmit Mode Commands With Data	MC #	31	30	29	28	27	26	25	24	23	22	21	20	19	18	17	16	
			Status	R	R	R	R	R	R	R	R	R	U	U	D	D	U	D		
0x02FE and 0x02C0	Tx MC15 - MC0	Transmit Mode Commands Without Data	MC #	15	14	13	12	11	10	9	8	7	6	5	4	3	2	1	0	
			Status	R	R	R	R	R	R	D	D	D	D	D	D	D	D	D		
0x02BF and 0x0281	Rx MC31 - MC16	Receive Mode Commands With Data	MC #	31	30	29	28	27	26	25	24	23	22	21	20	19	18	17	16	
			Status	R	R	R	R	R	R	R	R	R	R	D	D	U	U	D	U	
0x02BE and 0x0280	Rx MC15 - MC0	Receive Mode Commands Without Data	MC #	15	14	13	12	11	10	9	8	7	6	5	4	3	2	1	0	
			Status	U	U	U	U	U	U	U	U	U	U	U	U	U	U	U		
0x027F and 0x0241	Br.Tx MC31 - MC16	Broadcast Transmit Mode Commands With Data	MC #	31	30	29	28	27	26	25	24	23	22	21	20	19	18	17	16	
			Status	NB	NB	NB	NB	NB	NB	NB	NB	NB	NB	U	U	NB	NB	U	NB	
0x027E and 0x0240	Br.Tx MC15 - MC0	Broadcast Transmit Mode Commands Without Data	MC #	15	14	13	12	11	10	9	8	7	6	5	4	3	2	1	0	
			Status	R	R	R	R	R	R	D	D	D	D	D	D	NB	D	NB		
0x023F and 0x0201	Br.Rx MC31 - MC16	Broadcast Receive Mode Commands With Data	MC #	31	30	29	28	27	26	25	24	23	22	21	20	19	18	17	16	
			Status	R	R	R	R	R	R	R	R	R	R	R	D	D	U	U	D	U
0x023E and 0x0200	Br.Rx MC15 - MC0	Broadcast Receive Mode Commands Without Data	MC #	15	14	13	12	11	10	9	8	7	6	5	4	3	2	1	0	
			Status	U	U	U	U	U	U	U	U	U	U	U	U	U	U	U		

RAM Address

LEGEND

D = Defined Mode Command R = Reserved Mode Code
 U = Undefined Mode Command NB = Broadcast Not Allowed

Figure 15. Summary of RT1 Illegalization Table Addresses for Mode Code Commands

Note: RT2 is the same except the table starts at 0x0300 instead of 0x0200.

19.3. Temporary Receive Data Buffer

The 32-word temporary receive data buffer resides in shared RAM in address space 0x01C0 to 0x01DF for RT1 and 0x01E0 to 0x01FF for RT2. The device optionally uses this buffer for temporary storage of receive data words until successful message completion. To enable the buffer, the host asserts the TRXDC bit in the RT1 or RT2 Configuration Register described in Section 18.1.

When enabled, the terminal stores received data words in the 32-word buffer during message processing. Upon error-free message completion, all buffered words are written in a burst to the data buffer memory assigned to the specific subaddress in the RT1 or RT2 Descriptor Table.

When the TRXDB bit in the RT1 or RT2 Configuration Register is negated, the temporary receive data buffer is disabled. At 20 μ s intervals, the terminal writes received data words to assigned subaddress data buffer memory as each word is received. If message error occurs during data reception, data integrity is lost; valid data from the prior receive message may be partially overwritten by data from a message ending in error. MIL-STD-1553 states that all received data from messages ending in error **should be disregarded**.

In a typical application, the temporary buffer is not directly accessed by the host, although there is no restriction preventing host data access. The host should never write data into the temporary buffer space.

19.4. Descriptor Table

The Descriptor Table, resides in shared RAM, at default address ranges 0x0400 to 0x05FF for RT1 and 0x0600 to 0x07FF for RT2. This table is initialized by the host (or auto-initialization) to define how the terminal processes valid commands. Descriptor Table settings for each command specify where message data is stored, how data is stored, whether host interrupts are generated, and other aspects essential to command processing. **Before initializing the RAM Descriptor Table, the RT enable input pin RT1ENA or RT2ENA must be asserted AND the corresponding RTxENA bit must be set in the Master Configuration Register 0x0000.** Terminal execution does not begin until the RT1STEX or RT2STEX bits are set in “9.1. Master Configuration Register (0x0000)”.

Shown in Figure 16, the table consists of 128 consecutive “descriptor blocks”, each comprised of four 16-bit words. The table is organized into four quadrants.

The Receive Subaddress and Transmit Subaddress quadrants define response for commands having a subaddress field ranging from 1 to 30 (0x1E). These are simple N-data word receive or transmit commands, where N can range from 1 to 32 words. When the command T/\bar{R} bit equals 0, the receive command quadrant applies. When the T/\bar{R} bit equals 1, the transmit command quadrant applies.

Both subaddress quadrants are padded at top and bottom with unused Descriptor Blocks for subaddresses 0 and 31 (0x1F). The word space reserved for SA0 and SA31 aligns the table addressing, but values stored in these eight locations is not used. Command subaddresses 0 and 31 indicate mode commands. The response for commands containing either SA value is defined in the two mode command table quadrants. The Receive Mode Command quadrant applies when the command word T/\bar{R} bit equals 0, while the Transmit Mode Command quadrants applies when T/\bar{R} equals 1.

The term “Transmit Mode Command” is misleading. All defined mode commands with mode code less than 0x0F have T/\bar{R} bit equal to 1, yet none of these mode commands transmits a data word. They transmit only the terminal status word, just like receive commands. However, the RT responds to transmit mode commands with mode code 0x10 to 0x1F by transmitting a mode data word. Just three such transmit mode commands are defined.

Within the Receive and Transmit Mode Command quadrants, block addressing is based on the low order 5 bits in the command word, containing the mode code value. This is fundamentally different from the Subaddress quadrants in which block addressing is based on the 5-bit subaddress field. Figure 17 shows how to derive Control Word address from the received Command Word. The Control Word address for the last valid command can also be found in the Current Control Word Address register.

All 128 4-word Descriptor Blocks start with a Control Word. There are four Control Word variants based on command

HI-6130, HI-6131

type: receive vs. transmit and mode vs. non-mode commands. All descriptor Control Words are initialized by the host (or auto-initialization) to define basic command response. Each Control Word specifies the data buffer method and host interrupt for a specific subaddress or mode command.

Each subaddress has both a Receive Subaddress block and a Transmit Subaddress block. Receive and transmit commands to the same subaddress can be programmed to respond differently.

The function of the three remaining descriptor words (in each 4-word block) depends on which of the 4 data buffer methods are specified in the Control Word.

Indexed (or Single Buffer) Method where a predetermined number of messages is transacted using a single data buffer in shared RAM. Several host interrupt options are offered, including an interrupt generated when all N messages are successfully completed.

Double (or Ping-Pong) Buffer Method where successive messages alternate between two data buffers in shared RAM. Several host interrupt options are offered.

Circular Buffer Mode 1 where buffer boundaries determine when the bulk transfer is complete and message information and time-tag words are stored with message data in a common buffer. Several host interrupt options are offered, including an interrupt generated when the allocated data buffer is full.

Circular Buffer Mode 2 where the number of messages transacted defines bulk transfer progress, and message data words are stored contiguously in one buffer while message information and time-tag words are stored in a separate buffer. Several host interrupt options are offered, including an interrupt generated when all N messages are successfully completed.

The 4-word Descriptor Table entry for each command (its descriptor block) begins with a Control Word. There are four types of descriptor Control Word:

- Receive Subaddress **Control Word**
- Transmit Subaddress Control Word
- Receive Mode Command Control Word
- Transmit Mode Command Control Word

The descriptor Control Word is initialized by the host to select data buffer method and interrupt options. After a command is processed by the HI-6130/31 terminal, the device updates the command's descriptor Control Word. Updates will differ based on the chosen data buffer method. Reading the descriptor table can differ from other RAM accesses. For HI-6130, see Section 25.1.1. For HI-6131, see Sections 25.2.6 and 25.2.8.

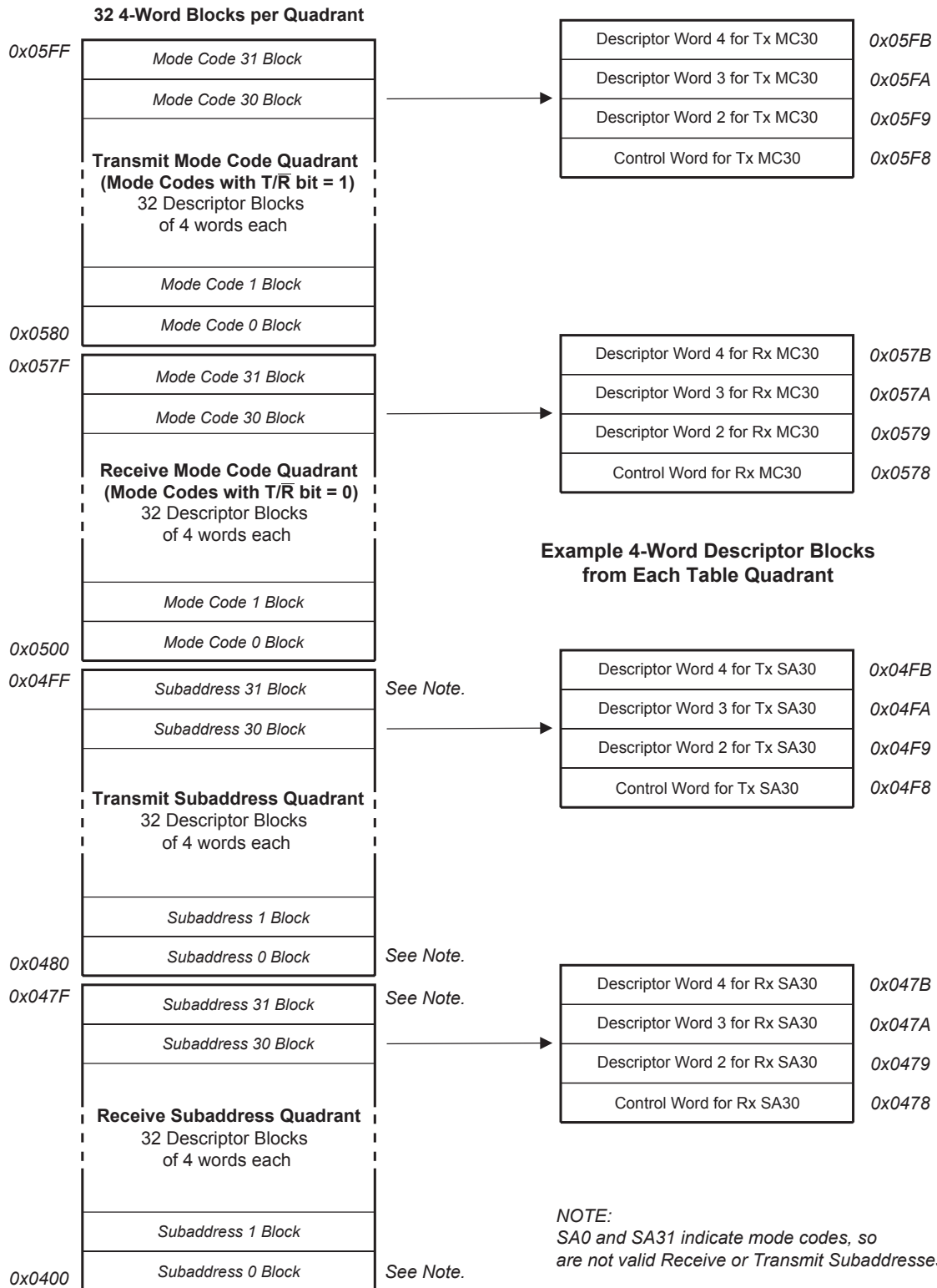


Figure 16. Address Mapping for RT1 Descriptor Table

Note: Assumes default table base address = 0x0400. RT2 is the same with default base address 0x0600. Before initializing the RT1 or RT2 Descriptor Table, input pin RT1ENA or RT2ENA must be asserted **AND** the RT1ENA or RT2ENA bit must be set in Master Configuration Register 0x0000.

HI-6130, HI-6131

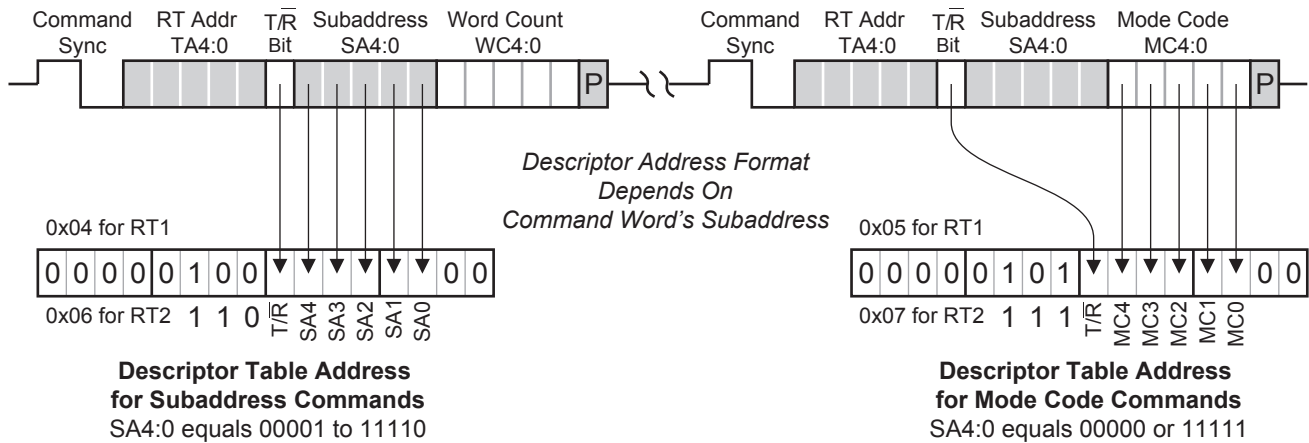
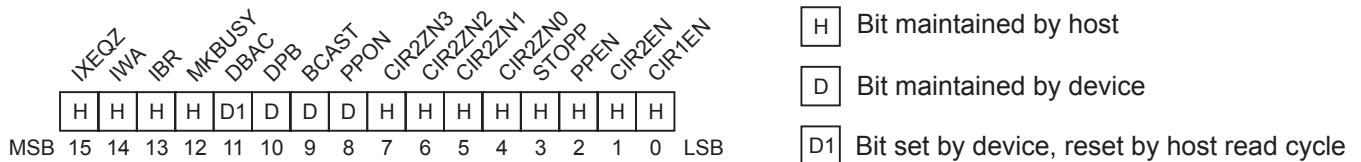


Figure 17. Deriving a Descriptor Table Control Word Address From Command Word
(assumes table base address = 0x0400 for RT1, or 0x0600 for RT2)

19.4.1. Receive Subaddress Control Word

Receive Subaddress Control Words apply when a valid command word $\overline{T/R}$ bit equals zero (receive) and the subaddress field has a value in the range of 1 to 30 (0x1E). The descriptor Control Word defines terminal command response and interrupt behavior, and conveys activity status to the host. It is initialized by the host before terminal execution begins. If using ping-pong data buffers, Control Words should only be written when the applicable RT1ENA or RT2ENA input pin is asserted AND the corresponding RT1ENA or RT2ENA bit is also set in the Master Configuration Register 0x0000. Failure to meet this requirement prevents automatic assertion of PPON bit 8 when PPEN bit 2 is set, and successive messages will repeatedly use the same buffer. Bits 8-11 cannot be written by the host; these bits are updated by the device during terminal execution, that is, when the "Master Configuration Register (0x0000)" RT1STEX or RT2STEX bits equal 1. The host can write bits 0-2 and 4-7 only when RT1STEX or RT2STEX equals zero; bits 3 and 12-15 can be written anytime. This register is cleared to 0x0000 by \overline{MR} master reset. Software reset (SRST) clears just the DBAC, DPB and BCAST bits. **Following any read cycle to the Control Word address, the DBAC bit is reset.**



NOTE: 'Reset' refers to bit value following Master Reset (\overline{MR}). The bit value following software reset is unchanged unless specifically indicated by an "SR" value.

HI-6130, HI-6131

Bit No.	Mnemonic	R/W	Reset	Function
15	IXEQZ	R/W	0	<p>Interrupt When Index Equals Zero.</p> <p>If the Interrupt Enable Register IXEQZ bit is high, assertion of this bit enables generation of an interrupt for (a) subaddresses using indexed buffer mode when the INDX value decrements from 1 to 0, or (b) subaddresses using a circular buffer mode when the pre-determined number of messages has been transacted. If enabled, upon completion of command processing that results in index = 0, an IXEQZ interrupt is entered in the Pending Interrupt Register, output pin \overline{INT} is asserted, and the interrupt is registered in the Interrupt Log.</p>
14	IWA	R/W	0	<p>Interrupt When Accessed.</p> <p>If the Interrupt Enable Register IWA bit is high, assertion of this bit enables interrupt generation when the subaddress receives any valid receive command. If enabled, upon completion of command processing, an IWA interrupt is entered in the Pending Interrupt Register, output pin \overline{INT} is asserted, and the interrupt is registered in the Interrupt Log.</p>
13	IBR	R/W	0	<p>Interrupt Broadcast Received.</p> <p>If the Interrupt Enable Register IBR bit is high, assertion of this bit enables interrupt generation when the subaddress receives a valid broadcast command. If enabled, upon completion of message processing an IBR interrupt is entered in the Pending Interrupt Register, output pin \overline{INT} is asserted, and the interrupt is registered in the Interrupt Log. This bit has no function if the BCSTINV bit is high in the RT Configuration Register. In this case, commands to RT address 31 are not recognized as valid by the device.</p>
12	MKBUSY	R/W	0	<p>Make Busy.</p> <p>The host asserts the MKBUSY bit to respond with Busy status for commands to this receive subaddress. This bit is an alternative to globally applying Busy status for all valid commands, enabled from the 1553 Status Bits Register. See that register description for additional information. When Busy is asserted, received data words are not stored and the DPB bit does not toggle after message completion.</p>
11	DBAC	R	0 SR = 0	<p>Descriptor Block Accessed.</p> <p>Internal device logic asserts the DBAC bit upon completion of message processing. The host may poll this bit to detect subaddress activity, instead of using host interrupts. This bit is reset to logic 0 by \overline{MR} master reset, SRST software reset or a read cycle to this memory address.</p>

HI-6130, HI-6131

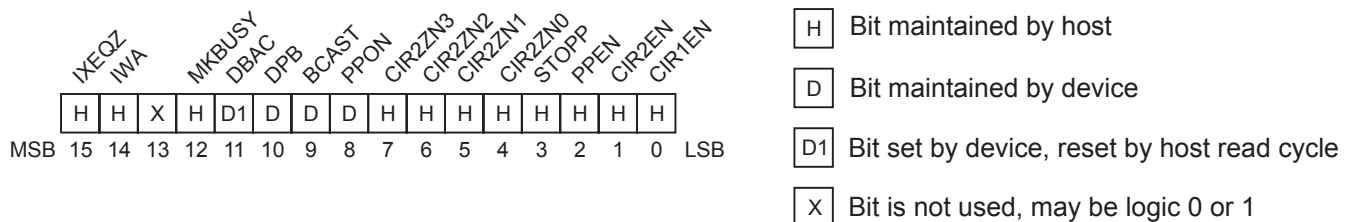
Bit No.	Mnemonic	R/W	Reset	Function
10	DPB	R	0 SR = 0	<p>Data Pointer B.</p> <p>This status bit is maintained by the device and only applies in ping-pong buffer mode. This bit indicates the buffer to be used for the next occurring receive command to this subaddress. When the DPB bit is logic 0, the next message will use Data Pointer A; when DPB is logic 1, the next message uses Data Pointer B. In ping-pong buffer mode, the bit is inverted after each error-free message completion. To also ensure the DPB bit is not altered after illegal commands or messages ending with Busy status, the DPBTOFF bit should be set in the “Extended Configuration Register (0x004D)” on page 48 This ensures unsuccessful messages are not stored in the data buffer and are overwritten by subsequent successful messages. (see also “Ping-Pong Enable / Disable Handshake” on page 202). The DPB bit is reset to logic 0 by \overline{MR} master reset or SRST software reset; therefore the first message received after either reset will use Buffer A. This bit is “don’t care” for indexed single-buffer mode or either circular buffer mode.</p>
9	BCAST	R	0 SR = 0	<p>Broadcast Command.</p> <p>Device logic sets this bit when a valid broadcast receive command is received at this subaddress. If IBR bit 13 and Interrupt Enable Register IBR bit are both set, the output pin \overline{INT} is asserted. This bit has no function if the BCSTINV bit is asserted in the RT Configuration Register; in this case commands to RT address 31 are not recognized as valid by the device. This bit is reset to logic 0 by \overline{MR} master reset or SRST software reset.</p>
8	PPON	R/W	0	<p>Ping-Pong Enable Acknowledge.</p> <p>This bit is controlled by the device and cannot be written by the host. It only applies if PPEN bit 2 was initialized to logic one by the host after reset, enabling ping-pong buffer mode for this subaddress. Device logic asserts this bit when it recognizes ping-pong is active for this subaddress. Before off-loading the receive data buffer for this subaddress, the host can ask the device to temporarily disable ping-pong by asserting STOPP bit 3. The device acknowledges ping-pong is disabled by negating PPON. The host can safely off-load the buffer without data collision while PPON is negated. After buffer servicing, the host asks the device to re-enable ping-pong by negating STOPP bit 3. The device acknowledges ping-pong is re-enabled by asserting PPON.</p> <p>If PPEN bit 2 is high and PPON bit 8 is low when new commands arrive for this subaddress, ping-pong is disabled. Each new message overwrites existing data in the buffer specified by DPB bit 10, and the DPB bit does not toggle after command completion.</p>
7-4	CIR2ZN	R/W	0	<p>Circular Mode 2 Zero Number.</p> <p>Used only in circular buffer mode 2, this 4-bit field is initialized with the number of trailing zeros in the initialized MIBA address. This is explained in Section 20.6, which fully describes circular buffer mode 2.</p>
3	STOPP	R/W	0	<p>Stop Ping-Pong Request.</p> <p>The host asserts this bit to suspend ping-pong buffering for this subaddress. The host resets this bit to ask the device to re-enable ping-pong. The device confirms recognition of ping-pong enable or disable status by writing PPON bit 8. Refer to Section 20.3, which fully describes ping-pong mode.</p>

HI-6130, HI-6131

Bit No.	Mnemonic	R/W	Reset	Function																					
2	PPEN	R/W	0	Ping-Pong, Circular Buffer Mode 2 or Circular Buffer Mode 1 Enable. The PPEN, CIR2EN and CIR1EN bits are initialized by the host to select buffer mode. The table below summarizes how buffer mode selection is encoded. In the case of ping-pong, the host initializes the PPEN bit to logic one after reset to enable ping-pong buffering for this subaddress. The host asserts STOPP bit 3 to ask the device to temporarily disable ping-pong. Negating the STOPP bit asks the device to re-enable ping-pong. The device confirms ping-pong enable or disable state changes by writing the PPON bit. PPEN bit 2 should only be initialized or otherwise written when the applicable RT1ENA or RT2ENA input pin is asserted, AND the corresponding RT1ENA or RT2ENA bit is also set in the Master Configuration Register 0x0000.																					
1	CIR2EN	R/W	0																						
0	CIR1EN	R/W	0																						
					<table border="1" style="width: 100%; border-collapse: collapse;"> <thead> <tr> <th style="text-align: center;">PPEN</th> <th style="text-align: center;">CIR2EN</th> <th style="text-align: center;">CIR1EN</th> <th style="text-align: center;">Buffer Mode</th> </tr> </thead> <tbody> <tr> <td style="text-align: center;">1</td> <td style="text-align: center;">Don't Care</td> <td style="text-align: center;">Don't Care</td> <td style="text-align: center;">Ping-Pong</td> </tr> <tr> <td style="text-align: center;">0</td> <td style="text-align: center;">1</td> <td style="text-align: center;">Don't Care</td> <td style="text-align: center;">Circular Mode 2</td> </tr> <tr> <td style="text-align: center;">0</td> <td style="text-align: center;">0</td> <td style="text-align: center;">1</td> <td style="text-align: center;">Circular Mode 1</td> </tr> <tr> <td style="text-align: center;">0</td> <td style="text-align: center;">0</td> <td style="text-align: center;">0</td> <td style="text-align: center;">Indexed Single Buffer</td> </tr> </tbody> </table>	PPEN	CIR2EN	CIR1EN	Buffer Mode	1	Don't Care	Don't Care	Ping-Pong	0	1	Don't Care	Circular Mode 2	0	0	1	Circular Mode 1	0	0	0	Indexed Single Buffer
PPEN	CIR2EN	CIR1EN	Buffer Mode																						
1	Don't Care	Don't Care	Ping-Pong																						
0	1	Don't Care	Circular Mode 2																						
0	0	1	Circular Mode 1																						
0	0	0	Indexed Single Buffer																						
				<table border="1" style="width: 100%; border-collapse: collapse;"> <thead> <tr> <th style="text-align: center;">PPEN</th> <th style="text-align: center;">CIR2EN</th> <th style="text-align: center;">CIR1EN</th> <th style="text-align: center;">Buffer Mode</th> </tr> </thead> <tbody> <tr> <td style="text-align: center;">1</td> <td style="text-align: center;">Don't Care</td> <td style="text-align: center;">Don't Care</td> <td style="text-align: center;">Ping-Pong</td> </tr> <tr> <td style="text-align: center;">0</td> <td style="text-align: center;">1</td> <td style="text-align: center;">Don't Care</td> <td style="text-align: center;">Circular Mode 2</td> </tr> <tr> <td style="text-align: center;">0</td> <td style="text-align: center;">0</td> <td style="text-align: center;">1</td> <td style="text-align: center;">Circular Mode 1</td> </tr> <tr> <td style="text-align: center;">0</td> <td style="text-align: center;">0</td> <td style="text-align: center;">0</td> <td style="text-align: center;">Indexed Single Buffer</td> </tr> </tbody> </table>	PPEN	CIR2EN	CIR1EN	Buffer Mode	1	Don't Care	Don't Care	Ping-Pong	0	1	Don't Care	Circular Mode 2	0	0	1	Circular Mode 1	0	0	0	Indexed Single Buffer	
PPEN	CIR2EN	CIR1EN	Buffer Mode																						
1	Don't Care	Don't Care	Ping-Pong																						
0	1	Don't Care	Circular Mode 2																						
0	0	1	Circular Mode 1																						
0	0	0	Indexed Single Buffer																						

19.4.2. Transmit Subaddress Control Word

Transmit Subaddress Control Words apply when a valid command word T/\bar{R} bit equals one (transmit) and the subaddress field has a value in the range of 1 to 30 (0x1E). The descriptor Control Word defines terminal command response and interrupt behavior, and conveys activity status to the host. It is initialized by the host before terminal execution begins. If using ping-pong data buffers, Control Words should only be written when the applicable RT1ENA or RT2ENA input pin is asserted AND the corresponding RT1ENA or RT2ENA bit is also set in the Master Configuration Register 0x0000. Failure to meet this requirement prevents automatic assertion of PPON bit 8 when PPEN bit 2 is set, and successive messages will repeatedly use the same buffer. Bits 8-11 cannot be written by the host; these bits are updated by the device during terminal execution, that is, when the "Master Configuration Register (0x0000)" RT1STEX or RT2STEX bits equal 1. The host can write bits 0-2 and 4-7 only when RT1STEX or RT2STEX equals zero; bits 3, 12 and 14-15 can be written anytime. This register is cleared to 0x0000 by \overline{MR} master reset. Software reset (SRST) clears just the DBAC, DPB and BCAST bits. **Following any host read cycle to the Control Word address, the DBAC bit is reset.**



NOTE: 'Reset' refers to bit value following Master Reset (\overline{MR}). The bit value following software reset is unchanged unless specifically indicated by an "SR" value.

HI-6130, HI-6131

Bit No.	Mnemonic	R/W	Reset	Function
15	IXEQZ	R/W	0	<p>Interrupt When Index Equals Zero.</p> <p>If the Interrupt Enable Register IXEQZ bit is high, assertion of this bit enables generation of an interrupt for (a) subaddresses using indexed buffer mode when the INDX value decrements from 1 to 0, or (b) subaddresses using a circular buffer mode when the pre-determined number of messages has been transacted. If enabled, upon completion of command processing that results in index = 0, an IXEQZ interrupt is entered in the RT Pending Interrupt Register, output pin $\overline{\text{INT}}$ is asserted, and the interrupt is registered in the Interrupt Log.</p>
14	IWA	R/W	0	<p>Interrupt When Accessed.</p> <p>If the Interrupt Enable Register IWA bit is high, assertion of this bit enables interrupt generation when the subaddress receives any valid transmit command. If enabled, upon completion of command processing, an IWA interrupt is entered in the RT Pending Interrupt Register, output pin $\overline{\text{INT}}$ is asserted, and the interrupt is registered in the Interrupt Log.</p>
13	----	----	0	Not Used
12	MKBUSY	R/W	0	<p>Make Busy.</p> <p>The host asserts the MKBUSY bit to respond with Busy status for commands to this transmit subaddress. This bit is an alternative to globally applying Busy status for all valid commands, enabled from the 1553 Status Bits Register. See that register description for additional information. When Busy is asserted, data words are not transmitted and the DPB bit does not toggle after message completion.</p>
11	DBAC	R	0 SR = 0	<p>Descriptor Block Accessed.</p> <p>Internal device logic asserts the DBAC bit upon completion of message processing. The host may poll this bit to detect subaddress activity, instead of using host interrupts. This bit is reset to logic zero by $\overline{\text{MR}}$ master reset, SRST software reset or a read cycle to this memory address.</p>
10	DPB	R	0 SR = 0	<p>Data Pointer B.</p> <p>This status bit is maintained by the device and only applies in ping-pong buffer mode. This bit indicates the buffer to be used for the next occurring transmit command to this subaddress. When the DPB bit is logic 0, the next message will use Data Pointer A; when DPB is logic 1, the next message uses Data Pointer B. In ping-pong buffer mode, the bit is inverted after each error-free message completion. To also ensure the DPB bit is not altered after illegal commands or messages ending with Busy status, the DPBTOFF bit should be set in the “Extended Configuration Register (0x004D)” on page 48 This ensures unsuccessful messages are not stored in the data buffer and are overwritten by subsequent successful messages. (see also “Ping-Pong Enable / Disable Handshake” on page 202). The DPB bit is reset to logic 0 by $\overline{\text{MR}}$ master reset or SRST software reset; therefore the first message received after either reset will use Buffer A. This bit is “don’t care” for indexed single-buffer mode or either circular buffer mode.</p>

HI-6130, HI-6131

Bit No.	Mnemonic	R/W	Reset	Function
9	BCAST	R	0 SR = 0	<p>Broadcast Received.</p> <p>The device sets this bit when a broadcast-transmit command is received for this subaddress. Because non-mode broadcast-transmit commands are always illegal, the assertion of this bit in the Control Word by the device indicates an illegal command was received. Terminal response varies, depending on whether or not illegal command detection applies (any bits set in Illegalization Table). This bit has no function if the BCSTINV bit is asserted in the RT Configuration Register; in this case commands to RT address 31 are not recognized as valid by the device. This bit is reset to logic 0 by MR master reset or SRST software reset.</p>
8	PPON	R/W	0	<p>Ping-Pong Enable Acknowledge.</p> <p>This bit is controlled by the device and should not be written by the host. It only applies if PPEN bit 2 was initialized to logic one by the host after reset, enabling ping-pong buffer mode for this subaddress. The RT asserts this bit when it recognizes ping-pong is active for this subaddress. Before loading the transmit data buffer for this subaddress, the host can ask the RT to temporarily disable ping-pong by asserting STOPP bit 3. The RT acknowledges ping-pong is disabled by negating PPON. The host can safely load the buffer without data collision while PPON is negated. After buffer servicing, the host asks the RT to re-enable ping-pong by negating STOPP bit 3. The RT acknowledges ping-pong is re-enabled by asserting PPON.</p> <p>If PPEN bit 2 is high and PPON bit 8 is low when new commands arrive for this subaddress, ping-pong is disabled. Each new message transmits data from the same buffer, specified by DPB bit 10, and the DPB bit does not toggle after command completion.</p>
7-4	CIR2ZN	R/W	0	<p>Circular Mode 2 Zero Number.</p> <p>Used only in circular buffer mode 2, this 4-bit field is initialized with the number of trailing zeros in the initialized MIBA address. This is explained in Section 20.6, which fully describes circular buffer mode 2.</p>
3	STOPP	R/W	0	<p>Stop Ping-Pong Request.</p> <p>The host asserts this bit to suspend ping-pong buffering for this subaddress. The host resets this bit to ask the RT to re-enable ping-pong. The RT confirms recognition of ping-pong enable or disable status by writing PPON bit 8. Refer to Section 20.3, which describes ping-pong mode in detail.</p>

HI-6130, HI-6131

Bit No.	Mnemonic	R/W	Reset	Function																					
2	PPEN	R/W	0	Ping-Pong, Circular Buffer Mode 2 or Circular Buffer Mode 1 Enable. The PPEN, CIR2EN and CIR1EN bits are initialized by the host to select buffer mode. The table below summarizes how buffer mode selection is encoded. In the case of ping-pong, the host initializes the PPEN bit to logic one after reset to enable ping-pong buffering for this subaddress. The host asserts STOPP bit 3 to ask the device to temporarily disable ping-pong. Negating the STOPP bit asks the device to re-enable ping-pong. The device confirms ping-pong enable or disable state changes by writing the PPON bit. PPEN bit 2 should only be initialized or otherwise written when the applicable RT1ENA or RT2ENA input pin is asserted, AND the corresponding RT1ENA or RT2ENA bit is also set in the Master Configuration Register 0x0000.																					
1	CIR2EN	R/W	0																						
0	CIR1EN	R/W	0																						
					<table border="1"> <thead> <tr> <th>PPEN</th> <th>CIR2EN</th> <th>CIR1EN</th> <th>Buffer Mode</th> </tr> </thead> <tbody> <tr> <td>1</td> <td>Don't Care</td> <td>Don't Care</td> <td>Ping-Pong</td> </tr> <tr> <td>0</td> <td>1</td> <td>Don't Care</td> <td>Circular Mode 2</td> </tr> <tr> <td>0</td> <td>0</td> <td>1</td> <td>Circular Mode 1</td> </tr> <tr> <td>0</td> <td>0</td> <td>0</td> <td>Indexed Single Buffer</td> </tr> </tbody> </table>	PPEN	CIR2EN	CIR1EN	Buffer Mode	1	Don't Care	Don't Care	Ping-Pong	0	1	Don't Care	Circular Mode 2	0	0	1	Circular Mode 1	0	0	0	Indexed Single Buffer
PPEN	CIR2EN	CIR1EN	Buffer Mode																						
1	Don't Care	Don't Care	Ping-Pong																						
0	1	Don't Care	Circular Mode 2																						
0	0	1	Circular Mode 1																						
0	0	0	Indexed Single Buffer																						

19.4.3. Data Buffer Options for Mode Code Commands

Data buffer options for mode code commands differ from options offered for subaddress commands. Mode commands cannot use either circular data buffer method, but may use double (ping-pong) buffering or single (indexed) buffering. Single message Index mode (INDX = 0) is suitable in many applications (see Section 20.4.1). An alternative called **Simplified Mode Command Processing** (SMCP) may be globally applied for all mode code commands (see Section 21.5).

To use single (indexed) buffer or double (ping-pong) buffer for mode commands, the SMCP bit in the RT Configuration Register is logic 0. The Control Word PPEN bit for each mode command determines whether ping-pong or indexed buffering is used.

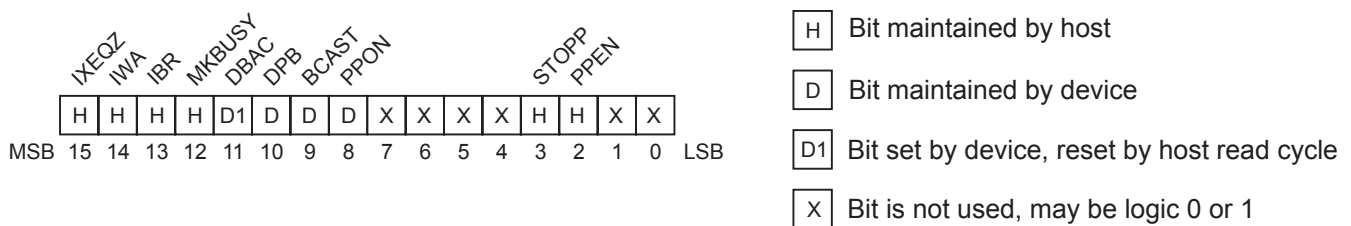
To use Simplified Mode Command Processing, the SMCP bit in the RT Configuration Register is set to logic 1. The Control Word PPEN bit for mode commands is “don't care” (no longer specifies index or ping-pong buffer mode) because Simplified Mode Command Processing stores mode command data and message information words directly within each mode command's redefined Descriptor Table block. When SMCP is enabled, mode code command descriptor blocks (in the Descriptor Table) do not contain data pointers to reserved buffers elsewhere in the shared RAM. Instead, each 4-word descriptor block itself contains the message information word, the time-tag word and the data word transacted for each mode command (for mode codes 16-31 decimal).

When Simplified Mode Command Processing is used, the range of active bits is reduced in each receive or transmit mode command Control Word. Interrupt control and response is not affected by the SMCP option. Simplified Mode Command Processing is fully presented in the later data sheet section 21.5.

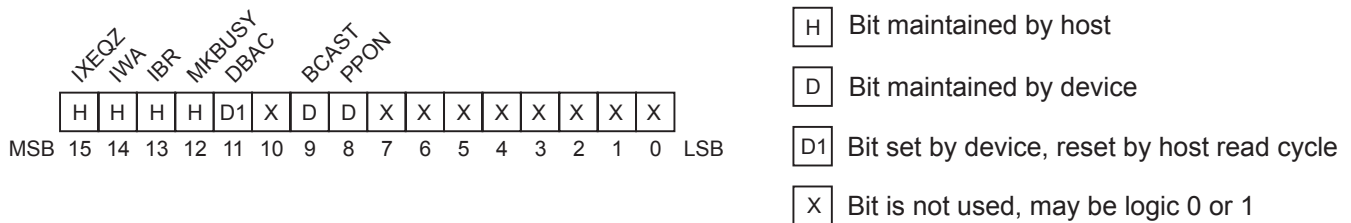
19.4.4. Receive Mode Control Word

Receive Mode Control Words apply when the command word T/\bar{R} bit equals zero (receive) and the subaddress field has a value of 0 or 31 (0x1F). The descriptor Control Word defines terminal command response and interrupt behavior, and conveys activity status to the host. It is initialized by the host before terminal execution begins. If using ping-pong data buffers, Control Words should only be written when the applicable RT1ENA or RT2ENA input pin is asserted AND the corresponding RT1ENA or RT2ENA bit is also set in the Master Configuration Register 0x0000. Failure to meet this requirement prevents automatic assertion of PPON bit 8 when PPEN bit 2 is set, and successive messages will repeatedly use the same buffer. Bits 8-11 cannot be written by the host; these bits are updated by the device during terminal execution, that is, when the "Master Configuration Register (0x0000)" RT1STEX or RT2STEX bits equal 1. The host can write bit 2 only when RT1STEX or RT2STEX equals zero; bits 3 and 12-15 can be written anytime. This register is cleared to 0x0000 by \overline{MR} master reset. Software reset (SRST) clears just the DBAC, DPB and BCAST bits. **Following any read cycle to the Control Word address, the DBAC bit is reset.**

When single-message indexed buffering or ping-pong buffering is used instead of SMCP (Simplified Mode Code Processing), the receive mode Control Word looks like this:



When SMCP applies, the number of active mode Control Word bits is reduced:



NOTE: 'Reset' refers to bit value following Master Reset (\overline{MR}). The bit value following software reset is unchanged unless specifically indicated by an "SR" value.

Bit No.	Mnemonic	R/W	Reset	Function
15	IXEQZ	R/W	0	Interrupt When Index Equals Zero. If the Interrupt Enable Register IXEQZ bit is high, assertion of this bit enables generation of an interrupt for mode code commands using indexed buffer mode when the INDX value decrements from 1 to 0. Upon completion of command processing that results in INDX = 0, when IXEQZ interrupts are enabled, an IXEQZ interrupt is entered in the RT Pending Interrupt Register, the \overline{INT} output pin is asserted, and the interrupt is registered in the Interrupt Log.

HI-6130, HI-6131

Bit No.	Mnemonic	R/W	Reset	Function
14	IWA	R/W	0	<p>Interrupt When Accessed.</p> <p>If the Interrupt Enable Register IWA bit is high, assertion of this bit enables interrupt generation at each instance of a valid mode code command. Upon completion of command processing, when IWA interrupts are enabled, an IWA interrupt is entered in the RT Pending Interrupt Register, the \overline{INT} output pin is asserted, and the interrupt is registered in the Interrupt Log.</p>
13	IBR	R/W	0	<p>Interrupt Broadcast Received.</p> <p>If the Interrupt Enable Register IBR bit is high, assertion of this bit enables interrupt generation at each instance of a valid broadcast receive mode code command. Upon completion of command processing, when IBR interrupts are enabled, an IBR interrupt is entered in the Pending Interrupt Register, the \overline{INT} output pin is asserted, and the interrupt is registered in the Interrupt Log. This bit has no function if the BCSTINV bit is high in the RT Configuration Register. In this case, commands to RT address 31 are not recognized as valid by the device.</p>
12	MKBUSY	R/W	0	<p>Make Busy.</p> <p>The host asserts the MKBUSY bit to respond with Busy status for commands to this mode code. This bit is an alternative to globally applying Busy status for all valid commands, enabled from the RT 1553 Status Bits Register. See that register description for additional information. When Busy is asserted, mode data words received with MC16-MC31 are not stored and the DPB bit does not toggle after message completion.</p>
11	DBAC	R	0 SR = 0	<p>Descriptor Block Accessed.</p> <p>Internal device logic asserts the DBAC bit upon completion of message processing. The host may poll this bit to detect mode command activity, instead of using host interrupts. This bit is reset to logic 0 by \overline{MR} master reset, SRST software reset or a read cycle to this memory address.</p>
10	DPB	R	0 SR = 0	<p>Data Pointer B.</p> <p>This status bit is maintained by the device and only applies for mode commands using ping-pong buffer mode. This bit indicates the buffer to be used for the next occurring mode command. When the DPB bit is logic 0, the next message will use Data Pointer A; when DPB is logic 1, the next message uses Data Pointer B. In ping-pong buffer mode, the bit is inverted after each error-free message completion. To also ensure the DPB bit is not altered after illegal commands or messages ending with Busy status, the DPBTOFF bit should be set in the “Extended Configuration Register (0x004D)” on page 48 This ensures unsuccessful messages are not stored in the data buffer and are overwritten by subsequent successful messages. (see also “Ping-Pong Enable / Disable Handshake” on page 202). The DPB bit is reset to logic 0 by \overline{MR} master reset or SRST software reset; therefore the first message received after either reset will use Buffer A. This bit is “don’t care” for indexed single-buffer mode.</p>

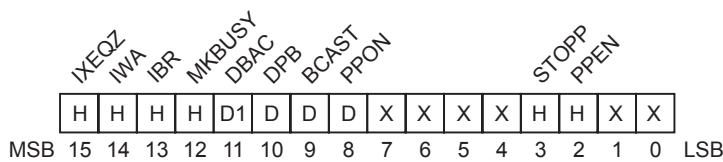
HI-6130, HI-6131

Bit No.	Mnemonic	R/W	Reset	Function
9	BCAST	R	0 SR = 0	<p>Broadcast Received.</p> <p>Device logic sets this bit when a valid broadcast mode command is received having T/R bit = 0. This bit has no function if the BCSTINV bit is asserted in the RT Configuration Register. In this case, RT address 31 commands are not recognized as valid by the HI-6130/31. This bit is reset to logic 0 by \overline{MR} master reset or SRST software reset.</p>
8	PPON	R/W	0	<p>Ping-Pong Enable Acknowledge.</p> <p>This bit is read only and only applies for mode commands using ping-pong mode (PPEN bit 2 was initialized to logic 1 by the host after reset). The device asserts this bit when it recognizes ping-pong is active for this mode code. Before off-loading the receive data buffer for this mode code, the host can ask the device to temporarily disable ping-pong by asserting STOPP bit 3. The device acknowledges ping-pong is disabled by negating PPON. The host can safely load or off-load the buffer without data collision while PPON is negated. After buffer servicing, the host asks the device to re-enable ping-pong by negating STOPP bit 3. The device acknowledges ping-pong is re-enabled by asserting PPON.</p> <p>If PPEN bit 2 is high and PPON bit 8 is low when new commands arrive for this subaddress, ping-pong is disabled. Each new message overwrites existing data in the buffer specified by DPB bit 10, and the DPB bit does not toggle after command completion.</p>
7-4	----	----	0	Not Used
3	STOPP	R/W	0	<p>Stop Ping-Pong Request.</p> <p>The host asserts this bit to suspend ping-pong buffering for this mode code. The host resets this bit to ask the device to re-enable ping-pong. The device confirms recognition of ping-pong enable or disable status by writing PPON bit 8.</p>
2	PPEN	R/W	0	<p>Ping-Pong Buffer Enable.</p> <p>The PPEN bit is initialized by the host to select buffer mode. If this bit is high, ping-pong buffering is selected. If this bit is low, indexed single buffering is selected.</p> <p>After reset, the host initializes this bit to logic 1 to enable ping-pong buffering for this mode code. The host asserts STOPP bit 3 to ask the device to temporarily disable ping-pong. Negating the STOPP bit asks the device to re-enable ping-pong. The device confirms ping-pong enable or disable state changes by writing the PPON bit 8. PPEN bit 2 should only be initialized or otherwise written when the applicable RT1ENA or RT2ENA input pin is asserted, AND the corresponding RT1ENA or RT2ENA bit is also set in the Master Configuration Register 0x0000.</p>
1,0	----	----	0	Not Used.

19.4.5. Transmit Mode Control Word

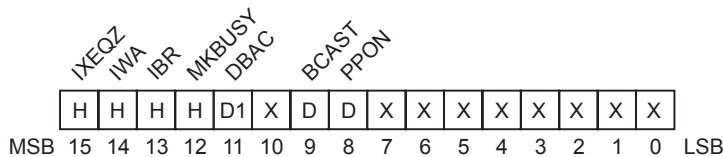
Transmit Mode Control Words apply when the command word T/\overline{R} bit equals one (transmit) and the subaddress field has a value of 0 or 31 (0x1F). The descriptor Control Word defines terminal command response and interrupt behavior, and conveys activity status to the host. It is initialized by the host before terminal execution begins. If using ping-pong data buffers, Control Words should only be written when the applicable RT1ENA or RT2ENA input pin is asserted AND the corresponding RT1ENA or RT2ENA bit is also set in the Master Configuration Register 0x0000. Failure to meet this requirement prevents automatic assertion of PPON bit 8 when PPEN bit 2 is set, and successive messages will repeatedly use the same buffer. Bits 8-11 cannot be written by the host; these bits are updated by the device during terminal execution, that is, when the "Master Configuration Register (0x0000)" RT1STEX or RT2STEX bits equal 1. The host can write bit 2 only when RT1STEX or RT2STEX equals zero; bits 3 and 12-15 can be written anytime. This register is cleared to 0x0000 by \overline{MR} master reset. Software reset (SRST) clears just the DBAC, DPB and BCAST bits. **Following any read cycle to the Control Word address, the DBAC bit is reset.**

When single-message indexed buffering or ping-pong buffering is used instead of SMCP (Simplified Mode Code Processing), the transmit mode Control Word looks like this:



- H Bit maintained by host
- D Bit maintained by device
- D1 Bit set by device, reset by host read cycle
- X Bit is not used, may be logic 0 or 1

When SMCP applies, the number of active mode Control Word bits is reduced:



- H Bit maintained by host
- D Bit maintained by device
- D1 Bit set by device, reset by host read cycle
- X Bit is not used, may be logic 0 or 1

NOTE: 'Reset' refers to bit value following Master Reset (\overline{MR}). The bit value following software reset is unchanged unless specifically indicated by an "SR" value.

Bit No.	Mnemonic	R/W	Reset	Function
15	IXEQZ	R/W	0	Interrupt When Index Equals Zero. If the Interrupt Enable Register IXEQZ bit is high, assertion of this bit enables generation of an interrupt for mode code commands using indexed buffer mode when the INDX value decrements from 1 to 0. Upon completion of command processing that results in INDX = 0, when IXEQZ interrupts are enabled, an IXEQZ interrupt is entered in the RT Pending Interrupt Register, the \overline{INT} output pin is asserted, and the interrupt is registered in the Interrupt Log.

HI-6130, HI-6131

Bit No.	Mnemonic	R/W	Reset	Function
14	IWA	R/W	0	<p>Interrupt When Accessed.</p> <p>If the Interrupt Enable Register IWA bit is high, assertion of this bit enables interrupt generation at each instance of a valid mode code command. Upon completion of command processing, when IWA interrupts are enabled, an IWA interrupt is entered in the RT Pending Interrupt Register, the \overline{INT} output pin is asserted, and the interrupt is registered in the Interrupt Log.</p>
13	IBR	R/W	0	<p>Interrupt Broadcast Received.</p> <p>If the Interrupt Enable Register IBR bit is high, assertion of this bit enables interrupt generation at each instance of a valid broadcast transmit mode code command. Upon completion of command processing, when IBR interrupts are enabled, an IBR interrupt is entered in the RT Pending Interrupt Register, the \overline{INT} output pin is asserted, and the interrupt is registered in the Interrupt Log. This bit has no function if the BCSTINV bit is high in the RT Configuration Register. In this case, commands to RT address 31 are not recognized as valid by the device.</p>
12	MKBUSY	R/W	0	<p>Make Busy.</p> <p>The host asserts the MKBUSY bit to respond with Busy status for commands to this mode code. This bit is an alternative to globally applying Busy status for all valid commands, enabled from the RT 1553 Status Bits Register. See that register description for additional information. When Busy is asserted, mode data words are not transmitted with MC16-MC31, and the DPB bit does not toggle after message completion. The MKBUSY bit is not heeded if set in the Control Word for mode code command MC8 “reset remote terminal”. For this command only, Busy is inhibited for the status response transmitted before the reset process begins.</p>
11	DBAC	R	0 SR = 0	<p>Descriptor Block Accessed.</p> <p>Internal device logic asserts the DBAC bit upon completion of message processing. The host may poll this bit to detect mode command activity, instead of using host interrupts. This bit is reset to logic 0 by \overline{MR} master reset, SRST software reset or a read cycle to this memory address.</p>
10	DPB	R	0 SR = 0	<p>Data Pointer B.</p> <p>This status bit is maintained by the device and only applies for mode commands using ping-pong buffer mode. This bit indicates the buffer to be used for the next occurring mode command. When the DPB bit is logic 0, the next message will use Data Pointer A; when DPB is logic 1, the next message uses Data Pointer B. In ping-pong buffer mode, the bit is inverted after each error-free message completion. To also ensure the DPB bit is not altered after illegal commands or messages ending with Busy status, the DPBTOFF bit should be set in the “Extended Configuration Register (0x004D)” on page 48 This ensures unsuccessful messages are not stored in the data buffer and are overwritten by subsequent successful messages. (see also “Ping-Pong Enable / Disable Handshake” on page 202). The DPB bit is reset to logic 0 by \overline{MR} master reset or SRST software reset; therefore the first message received after either reset will use Buffer A. This bit is “don’t care” for indexed single-buffer mode.</p>

HI-6130, HI-6131

Bit No.	Mnemonic	R/W	Reset	Function
9	BCAST	R	0 SR = 0	<p>Broadcast Received.</p> <p>Device logic sets this bit when a valid broadcast mode command is received having T/R bit = 1. This bit has no function if the BCSTINV bit is asserted in the RT Configuration Register. In this case, RT address 31 commands are not recognized as valid by the HI-6130/31. This bit is reset to logic 0 by MR master reset or SRST software reset.</p>
8	PPON	R/W	0	<p>Ping-Pong Enable Acknowledge.</p> <p>This bit is read only and only applies for mode commands using ping-pong mode (PPEN bit 2 was initialized to logic 1 by the host after reset). The device asserts this bit when it recognizes ping-pong is active for this mode code. Before loading the transmit data buffer for this mode code, the host can ask the device to temporarily disable ping-pong by asserting STOPP bit 3. The device acknowledges ping-pong is disabled by negating PPON. The host can safely load or off-load the buffer without data collision while PPON is negated. After buffer servicing, the host asks the device to re-enable ping-pong by negating STOPP bit 3. The device acknowledges ping-pong is re-enabled by asserting PPON.</p> <p>If PPEN bit 2 is asserted and PPON bit 8 is negated when a new command arrives for this mode code, ping-pong disable handshake is in effect: The device applies single-buffer index mode using Data Pointer A or Data Pointer B, per DPB bit 10. The DPB bit does not toggle after command completion.</p>
7-4	----	----	0	Not Used
3	STOPP	R/W	0	<p>Stop Ping-Pong Request.</p> <p>The host asserts this bit to suspend ping-pong buffering for this mode code. The host resets this bit to ask the device to re-enable ping-pong. The device confirms recognition of ping-pong enable or disable status by writing PPON bit 8.</p>
2	PPEN	R/W	0	<p>Ping-Pong Buffer Enable.</p> <p>The PPEN bit is initialized by the host to select buffer mode. If this bit is high, ping-pong buffering is selected. If this bit is low, indexed single buffering is selected.</p> <p>After reset, the host initializes this bit to logic 1 to enable ping-pong buffering for this mode code. The host asserts STOPP bit 3 to ask the device to temporarily disable ping-pong. Negating the STOPP bit asks the device to re-enable ping-pong. The device confirms ping-pong enable or disable state changes by writing the PPON bit 8. PPEN bit 2 should only be initialized or otherwise written when the applicable RT1ENA or RT2ENA input pin is asserted, AND the corresponding RT1ENA or RT2ENA bit is also set in the Master Configuration Register 0x0000.</p>
1,0	----	----	0	Not Used.

20. REMOTE TERMINAL RT1 AND RT2 MESSAGE DATA BUFFERS

The memory structures described up to this point comprise not more than 2K words of the lower memory address space. The remaining memory is allocated by the host for message data storage, to fulfill application requirements. This section describes the remaining data structures in shared RAM that control (and result from) command processing.

By initializing the RT Descriptor Table, the host allocates memory space for storing data for each subaddress used in the Remote Terminal application. Each legal Receive Subaddress and each legal Transmit Subaddress are usually assigned unique buffer memory spaces. (Exception: To comply with the requirements for MIL-STD-1553 data wrap-around, it is convenient to assign the data wrap-around subaddress to use the same buffer space for both receive and transmit commands.)

As an option, data from broadcast receive commands can be stored separately from data resulting from non-broadcast receive commands. Each subaddress buffer can use any of four data storage methods offered.

Subaddress (non-mode) commands are transacted with one to 32 data words. These are stored in a data buffer in shared RAM. For receive commands, the device stores data received during message processing in the shared RAM buffer. Later, the host retrieves these data words from the buffer. In the case of transmit commands, the host has previously stored transmit data words in the transmit subaddress buffer. The device retrieves these data words for transmission while processing the transmit command.

For each complete message processed, the message data stored in the buffer is comprised of these elements:

1. Message Information Word.
2. Time-Tag Word.
3. One to 32 Data Words transmitted or received during message transaction (except no data word for mode code commands 0 - 15 decimal).

The Message Information word and Time-Tag word are generated by the device and stored in assigned buffer space to aid the host in further message processing. The Message Information word contains message type, word count and message error information. The 16-bit Time-Tag word contains the value in the device internal Time-Tag counter when the command is validated.

The host initializes the Descriptor Table entry for each subaddress or mode command to select one of four data buffering methods.

1. Indexed (Single Buffer) Method (see 20.4).

A predetermined number of messages (N) is transacted using a single data buffer in shared RAM. Several host interrupt options are offered, including host interrupt when all N messages are successfully completed. This method also supports single-message mode when N is purposely initialized to zero.

2. Double (or Ping-Pong) Buffer Method (see 20.3).

Successive messages alternate between two 34-word data buffers in shared RAM. Several host interrupt options are offered.

3. Circular Buffer Mode 1 (see 20.5).

Buffer boundaries determine when the bulk transfer is complete. Message information and time-tag words are stored in the same buffer with data words. Several host interrupt options are offered, including host interrupt when the allocated data buffer is full.

4. Circular Buffer Mode 2 (see 20.6).

The number of messages transacted defines bulk transfer progress. Message data words are stored contiguously in one buffer while message information and time-tag words are stored in a separate buffer. Several host interrupt options are offered, including host interrupt when all N messages are completed.

The data buffer options are summarized in Table 17.

Simplified Mode Command Processing.

This is a global option that applies for all mode code commands, when enabled. Mode commands have either one data word, or no data word. Instead of using data buffers for storing this limited mode command data, the message data is stored directly within the Descriptor Table. This option for mode commands is described in section 21.5.

Broadcast Data Separation

When the NOTICE2 option is enabled, data words resulting from broadcast receive commands will be stored separately from data resulting from non-broadcast receive commands when using indexed or ping-pong buffer modes. When NOTICE2 applies, all subaddresses using indexed or ping-pong modes must have an assigned 34-word broadcast data buffer in addition to the primary buffers listed above.

When using circular buffers with Notice 2, the user is responsible for separating buffer data stored by broadcast and non-broadcast messages. To make this possible, an option is offered that provides a BCAST status bit in the data buffer Message Information Word (MIW), saved in the data buffer each time a message is received. By examining the MIWs stored in the circular buffer, the host can differentiate broadcast from non-broadcast messages. See description of option bit 3 in the Extended Configuration Register, 0x4D, as well as Section 20.1 below.

Table 17. Summary of Data Buffer Modes.

Buffer Mode	Data Buffer(s) Number and Size	Message Info Word	Suitable for Mode Codes?	Primary Application
Indexed	One. Host defines size for N messages	Stored in same buffer as data	Yes, only single message mode	For transacting N (multiple) messages with optional host interrupt when done
Ping-Pong	Two 34-word buffers, one message each	Stored in same buffer as data	Yes	For transacting single messages, alternating between A and B buffers
Circular 1	One. Host defines size for N words	Stored in same buffer as data	No	For transacting messages until buffer is full / empty, optional interrupt when done
Circular 2	One. Host defines size for N messages, plus Msg Info Block	Stored in separate buffer (Msg info block)	No	For transacting N (multiple) messages with optional host interrupt when done. Data buffer holds contiguous pure data.

20.1. Subaddress Message Information Words

20.1.1. Receive Subaddress Command

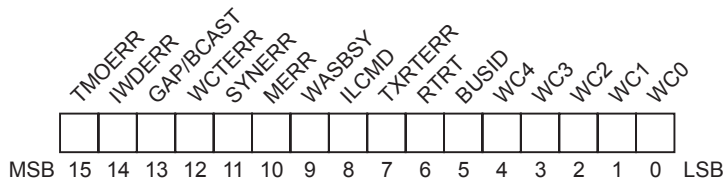
For receive subaddress commands, the device stores the received data words plus two additional words. The device adds a receive subaddress Message Information Word and a Time-Tag Word to the received data words. The device stores the Message Information and Time-Tag words ahead of the data words associated with the receive command, as shown below. If message error occurs, the RT stores only the receive subaddress Message Information Word and Time-Tag Word. Once a message error is detected, the device sets the MERR bit in the receive subaddress Message Information word. When this occurs, all data words are considered invalid. Whenever the receive subaddress Message Information Word MERR bit is set, the host should disregard the record's data word(s).

Here is an example data structure for a 3-word receive command. Notice that the receive subaddress Data Pointer points to the data structure starting address, not the first data word. The data pointer is located in the receive subaddress command's Descriptor Block, fully described later:

HI-6130, HI-6131

	Data Buffer Hex Address	Word Description	Device Writes Word ...
Data pointer equals 0x1500 →	0x1500	Message Information Word	After message completion
	0x1501	Time-Tag Word	“ “ “
	0x1502	Data Word 1	After message completion (See Note)
	0x1503	Data Word 2	“ “ “ “ “
	0x1504	Data Word 3	“ “ “ “ “

Note: The data words are written after message completion when the RT Configuration Register bit TRXDB is 1, otherwise written when received.



The following bits comprise the receive subaddress Message Information Word:

Bit No.	Mnemonic	Function
15	TMOERR	Time-Out Error. This bit is asserted for RT-RT receive messages when the transmitting terminal fails to start its status word and data transmission before time-out occurs, per RTTO[1:0] bits in the RT Configuration Register.
14	IWDERR	Invalid Word Error. Assertion of this bit indicates Manchester error or parity error was observed in a received data word.
13	GAP/ BCAST	Gap Error / Broadcast Flag. When “Extended Configuration Register (0x004D)” on page 48 bit 3 is 0, this bit is a Gap Error flag. Assertion of this bit indicates bus activity was detected immediately after the last expected receive data word or that a gap occurred before all expected data words were received. When “Extended Configuration Register (0x004D)” on page 48 bit 3 is 1, this bit is a Broadcast flag, asserted when the received message was broadcast.
12	WCTERR	Word Count Error. This bit is asserted if command is received with less data words than the command word specifies. For example, a receive command for three data words is received with two contiguous data words.
11	SYNERR	Sync Error. This bit is asserted when an incorrect (command/status) sync type occurs in received data words.

HI-6130, HI-6131

<i>Bit No.</i>	<i>Mnemonic</i>	<i>Function</i>
10	MERR	Message Error. This bit is asserted when message error status change occurs during command processing. See bits 7 and 11-15 for details.
9	WASBSY	Was Busy. This bit is asserted when the terminal responds to the receive command with BUSY status, due to global BUSY bit set in RT 1553 Status Bits Register, or command-specific MKBUSY bit set in the descriptor table Control Word. Received data words were buffered normally.
8	ILCMD	Illegal Command Received. This bit is asserted when the Illegalization Table bit corresponding to the received command is logic 1. The Illegalization Table should only contain nonzero values when “illegal command detection” is being applied. See Section 19.2 for further information.
7	TXRTERR	RT-RT Transmit Remote Terminal Error. This bit is set when the terminal decodes a valid RT-RT receive command, but one of four potential errors is detected in the second command word, CW2: (1) CW2 is addressed to broadcast address RT31. (2) the CW2 T/R bit equals 0, (3) the CW2 subaddress is a mode command indicator, 00000 or 11111, or (4) CW2 has same non-broadcast terminal address as receive command word CW1. The TXRTERR bit is also set when status word received from the transmitting terminal is invalid (e.g., parity error) or bits 15:11 in the status word reflect the wrong RT address (does not match CW2).
6	RTRT	Remote Terminal to Remote Terminal Transfer. Assertion of this bit indicates the receive command was an error-free RT-to-RT transfer.
5	BUSID	Bus Identification. If this bit equals zero, message was transacted on Bus A. If bit equals one, it was transacted on Bus B.
4-0	WC4:0	Word Count. This 5-bit field contains the word count extracted from the command word. Zero indicates 32 words.

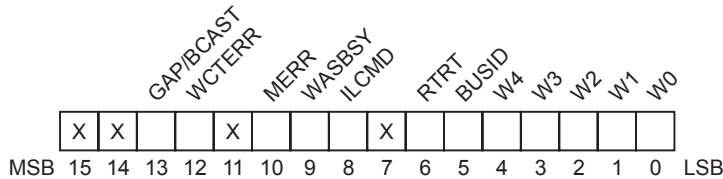
20.1.2. Transmit Subaddress Command

The external host is responsible for organizing the data packet (i.e., storing N data words) in shared RAM and initializing the applicable data pointer. The host must allocate two memory locations at the starting address of the data record for device storage of the transmit subaddress Message Information Word and Time-Tag Word.

Here is an example data structure for a 3-word transmit command. Notice that the Data Pointer points to the data structure starting address, not the first data word. The data pointer is located in the transmit subaddress command's Descriptor Block.

HI-6130, HI-6131

	Data Buffer Hex Address	Word Description	Word is Written By ...
Data pointer equals 0x1500 →	0x1500	Message Information Word	Device, after message completion
	0x1501	Time-Tag Word	“ “ “ “
	0x1502	Data Word 1	Host, prior to terminal's data transmit
	0x1503	Data Word 2	“ “ “ “ “ “
	0x1504	Data Word 3	“ “ “ “ “ “



The following bits comprise the transmit subaddress Message Information Word.

Bit No.	Mnemonic	Function
15,14	-----	Not Used.
13	GAP/ BCAST	Gap Error / Broadcast Flag. When “Extended Configuration Register (0x004D)” on page 48 bit 3 is 0, this bit is a Gap Error flag. Assertion of this bit indicates bus activity was detected immediately after the transmit command word, when a gap was expected. When “Extended Configuration Register (0x004D)” on page 48 bit 3 is 0, this bit is a Broadcast flag, asserted when the received message was broadcast.
12	WCTERR	Word Count Error. This bit is asserted if command is received with unexpected data word(s).
11	-----	Not Used.
10	MERR	Message Error. This bit is asserted when message error status change occurs during command processing. See bits 12 and 13 for details.
9	WASBSY	Was Busy Status. This bit is asserted when the terminal responds to the transmit command with BUSY status, due to global BUSY bit set in RT 1553 Status Bits Register, or command-specific MKBUSY bit set in the descriptor table Control Word. No data words were transmitted.
8	ILCMD	Illegal Command Received. This bit is asserted when the Illegalization Table bit corresponding to the received command equals one. The Illegalization Table should only contain nonzero values when “illegal command detection” is being applied. See Section 19.2 for further information.
7	-----	Not Used.
6	RTRT	Remote Terminal to Remote Terminal Transfer. Assertion of this bit indicates the transmit command was an error-free RT-to-RT transfer.

HI-6130, HI-6131

Bit No.	Mnemonic	Function
5	BUSID	Bus Identification. If this bit equals zero, message was transacted on Bus A. If bit equals one, it was transacted on Bus B.
4-0	WC4:0	Word Count. This 5-bit field contains the word count extracted from the command word. Zero indicates 32 words.

20.2. Mode Command Message Information Words

Mode command data structures in shared RAM are similar to those for subaddresses. Mode codes 0 through 15 (0x0F) do not have an associated data word, so data structures for these mode code values have just a Message Information Word and Time-Tag Word. The Message Information Word is stored at the memory address specified by the descriptor table Data Pointer. Mode codes 16 through 31 (0x10 through 0x1F) have one associated data word. The Message Information Word is stored at the memory address specified by the descriptor table Data Pointer, and the Time-Tag Word is stored in the following location. The data word is stored at the memory address specified by the Data Pointer plus two locations.

20.2.1. Receive Mode Command

The receive mode command data structure contains a Message Information Word, a Time-Tag Word and may contain one Data Word. If a receive mode command has a data word, the device may apply the data as defined by MIL-STD-1553, plus store the received single mode data word at the address specified by the Data Pointer, plus two locations. Refer to the Mode Code Command Summary in Table 19.

Here is an example data structure for a receive mode command with data (mode code values 0x10 through 0x1F). Notice that the Data Pointer points to the data structure starting address, not the mode data word. The data pointer is located in the receive mode command's Descriptor Block, fully described later:

	Data Buffer Hex Address	Word Description	Word is Written By ...
Data pointer equals 0x1500 →	0x1500	Message Information Word	Device, after message completion
	0x1501	Time-Tag Word	“ “ “ “
	0x1502	Mode Data Word	“ “ “ “

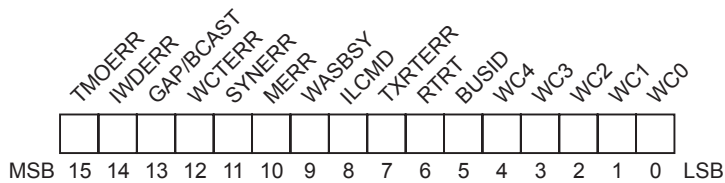
Three receive mode commands with data are not defined under MIL-STD-1553B. These are MC16, MC18 and MC19 (mode codes 0x10, 0x12 and 0x13 respectively). However the device responds “in form” if illegal command detection is not used (corresponding bits in Illegalization Table are logic 0) **and** the UMCINV bit in the RT Configuration Register is logic 0.

For mode code commands without data, the data structure contains only the Message Information Word and Time-Tag Word.

Here is an example data structure for a receive mode command without data (mode code values 0x00 through 0x0F). Note: None of these receive mode commands are defined under MIL-STD-1553B but the device responds “in form” if illegal command detection is not used (corresponding bits in Illegalization Table are logic 0) and the UMCINV bit in the RT Configuration Register is logic 0. Notice that the data pointer points to the data structure starting address, the message information word. The data pointer is located in the receive mode command's Descriptor Block, fully described later:

HI-6130, HI-6131

	Data Buffer Hex Address	Word Description	Word is Written By ...
Data pointer equals 0x1500 →	0x1500	Message Information Word	Device, after message completion
	0x1501	Time-Tag Word	“ “ “ “



The following bits comprise the receive mode Message Information Word:

Bit No.	Mnemonic	Function
15	-----	Not Used.
14	IWDERR	Invalid Word Error. Assertion of this bit indicates Manchester error or parity error was observed in a received data word.
13	GAP/ BCAST	Gap Error / Broadcast Flag. When “Extended Configuration Register (0x004D)” on page 48 bit 3 is 0, this bit is a Gap Error flag. Assertion of this bit indicates bus activity was detected immediately after a received mode data word or that a gap occurred before the data word was received. When “Extended Configuration Register (0x004D)” on page 48 bit 3 is 0, this bit is a Broadcast flag, asserted when the received message was broadcast.
12	WCTERR	Word Count Error This bit is asserted if the command is received without expected mode data word, or with extra word.
11	SYNERR	Sync Error. This bit is asserted when incorrect (command/status) sync type occurs in received mode data word.
10	MERR	Message Error. This bit is asserted when message error status change occurs during command processing. See bits 11- 14 for details.
9	WASBSY	Was Busy Status. This bit is asserted when the terminal responds to the mode command with BUSY status, due to global BUSY bit set in the RT 1553 Status Bits Register, or command-specific MKBUSY bit set in the descriptor table Control Word.
8	ILCMD	Illegal Command Received. This bit is asserted when the Illegalization Table bit corresponding to the received command equals one. The Illegalization Table should only contain nonzero values when “illegal command detection” is being applied. See Section 19.2 for further information.

HI-6130, HI-6131

<i>Bit No.</i>	<i>Mnemonic</i>	<i>Function</i>
7,6	-----	Not Used.
5	BUSID	Bus Identification. If this bit equals zero, message was transacted on Bus A. If bit equals one, it was transacted on Bus B.
4-0	MC4:0	Mode Code. This 5-bit field contains the mode code extracted from the command word.

20.2.2. Transmit Mode Command

The transmit mode command data structure contains a Message Information Word, a Time-Tag word and may contain one Data Word. For mode commands with associated data word (mode codes 16-31 decimal) the host is responsible for loading the Mode Command Data Table before transmit mode commands are received (e.g., Transmit Vector Word mode code). Two mode codes have internally generated data words: MC18 "Transmit Last Command" and MC19 "Transmit BIT Word". For these, the device automatically transmits the data word then copies the transmitted data value to the stored data structure.

Here is an example data structure for a transmit mode command with data (mode code values 0x10 through 0x1F). This applies to MC16 "Transmit Vector Word". Notice that the data pointer points to the data structure starting address, not the mode data word. The data pointer is located in the transmit mode command's Descriptor Block, fully described later:

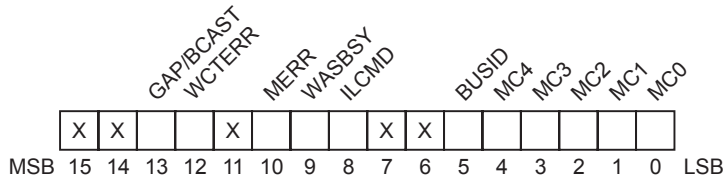
	Data Buffer Hex Address	Word Description	Word is Written By ...
Data pointer equals 0x1500 →	0x1500	Message Information Word	Device, after message completion
	0x1501	Time-Tag Word	" " " "
	0x1502	Mode Data Word	Host, prior to terminal's data transmit (except MC18, MC19 are written by the device after completion)

Three transmit mode commands with data are not defined under MIL-STD-1553B. These are MC17, MC20 and MC21 (mode codes 0x11, 0x14 and 0x15 respectively). However the device responds "in form" if illegal command detection is not used (corresponding bits in Illegalization Table are logic 0) and the UMCINV bit in the RT Configuration Register is logic 0.

For mode code commands without data, the data structure contains only the Message Information Word and Time-Tag Word. Here is an example data structure for a transmit mode command without data (mode code values 0x00 through 0x0F). Again, the data pointer points to the data structure starting address. The data pointer is located in the transmit mode command's Descriptor Block, fully described later:

	Data Buffer Hex Address	Word Description	Word is Written By ...
Data pointer equals 0x1500 →	0x1500	Message Information Word	Device, after message completion
	0x1501	Time-Tag Word	" " " "

HI-6130, HI-6131



The following bits comprise the mode transmit Message Information Word:

Bit No.	Mnemonic	Function
15,14	-----	Not Used.
13	GAP/ BCAST	Gap Error / Broadcast Flag. When “Extended Configuration Register (0x004D)” on page 48 bit 3 is 0, this bit is a Gap Error flag. This bit is high when bus activity was detected immediately after the mode command word, when a gap was expected. When “Extended Configuration Register (0x004D)” on page 48 bit 3 is 0, this bit is a Broadcast flag, asserted when the received message was broadcast.
12	WCTERR	Word Count Error This bit is asserted if command is received with unexpected data word(s).
11	-----	Not Used.
10	MERR	Message Error. This bit is asserted when message error status change occurs during command processing. See bits 12-13 for details.
9	WASBSY	Was Busy Status. This bit is asserted when the terminal responds to the mode command with BUSY status, due to global BUSY bit set in RT 1553 Status Bits Register, or command-specific MKBUSY bit set in the descriptor table Control Word. No mode data word was transmitted.
8	ILCMD	Illegal Command Received. This bit is asserted when the Illegalization Table bit corresponding to the received command is logic 1. The Illegalization Table should only contain nonzero values when “illegal command detection” is being applied. See Section 19.2 for further information.
7,6	-----	Not Used.
5	BUSID	Bus Identification. If this bit equals zero, message was transacted on Bus A. If bit equals one, it was transacted on Bus B.
4-0	MC4:0	Mode Code. This 5-bit field contains the mode code extracted from the command word.

20.3. Ping-Pong Data Buffering

20.3.1. Double Buffered (Ping-Pong) Mode

Ping-pong buffer mode is a method for storing message and time-tag information and data associated with messages. Each unique MIL-STD-1553 subaddress and mode code is assigned a pair of data buffers for transmit commands and a pair of data buffers for receive commands. The device retrieves buffer data for transmit commands, or stores buffer data for receive commands. During ping-pong operation, the device alternates message storage between Data Buffer A and Data Buffer B, on a message-by-message basis.

When a subaddress or mode command uses ping-pong data buffer mode, its 4-word descriptor block in the Descriptor Table is defined as follows:

Descriptor Word 1	Control Word
Descriptor Word 2	Data Pointer A
Descriptor Word 3	Data Pointer B
Descriptor Word 4	Broadcast Data Pointer

If Descriptor Word 1 is stored at memory address N, Descriptor Word 2 is stored at address N+1, and the other two words are stored at addresses N+2 and N+3.

Prior to starting terminal operation, enable ping-pong buffering for any subaddress (or mode code) by asserting the PPEN bit and negating the STOPP bit in the descriptor Control Word. When the device detects ping-pong is selected (PPEN = 1) and enabled (STOPP = 0), it asserts the Control Word PPOB bit to confirm ping-pong is active.

During ping-pong operation, the RT determines the active data buffer at the beginning of message processing. The Control Word DPB bit indicates the data pointer to be used by the next command. DPB equals logic 0 means Data Pointer A is used next; DPB equals logic 1 means Data Pointer B is used next. For ping-pong, Data Pointers A and B are static values pointing to the first address in each buffer. At the conclusion of error-free message processing, the Control Word DPB bit is inverted so the next command “ping-pongs” to the other data buffer. Each new message to the subaddress or mode code overwrites message data and information words written previously. To assure data integrity, the DPB pointer should only toggle after completion of error-free messages. To cover the full set of conditions, set DPBTOFF bit 1 in “Extended Configuration Register (0x004D)” on page 48. When option bit DPBTOFF = 1, DPB pointer toggle is prevented after incomplete messages, illegal commands, and messages resulting in BUSY or MESSAGE ERROR status. (When option bit DPBTOFF = 0, the illegal and BUSY cases still cause DPB pointer toggle.)

Please note that a subaddress may contain both legal and illegal word counts. When DPBTOFF = 1, DPB pointer toggle only occurs for the expected (legal) word count(s).

Figure 18 is a general illustration of ping-pong buffer mode. Figure 19 shows a specific example.

The primary benefit of using the DPBTOFF = 1 option is always knowing where to find the most-recent valid data. When DPBTOFF = 1, the complemented DPB pointer always indicates the last-transacted “good” data set. For example, if DPB is logic 0, the last successful message used Data Buffer B.

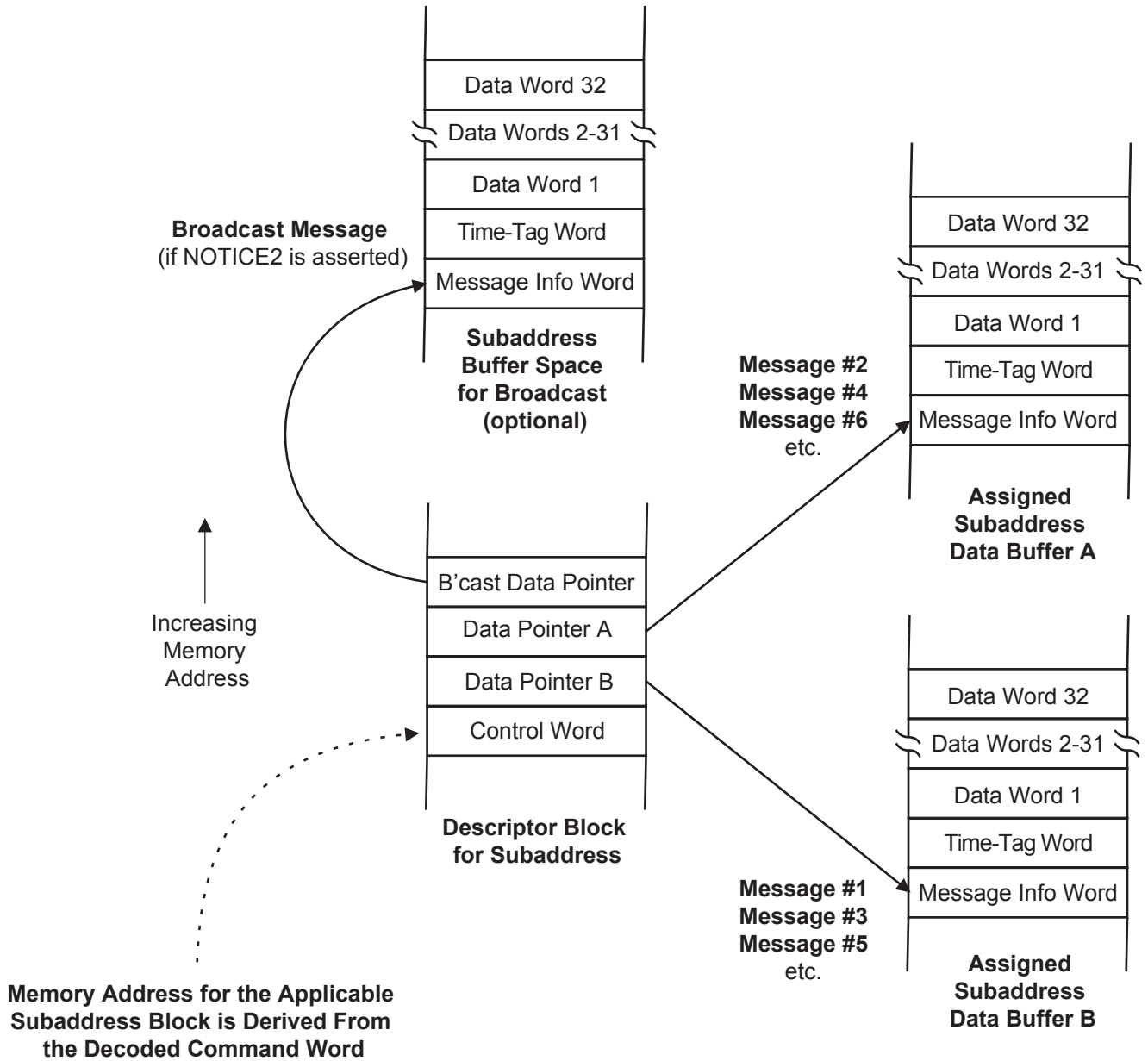
(Exception: immediately following Master Reset, the entire memory range is cleared to zero, so neither buffer contains message data. After reset, the host typically initializes outgoing data for the first message occurring on each transmit subaddress, Buffer A. The Message Information and Time Tag Words will read 0x0000 until the first message is transacted. After reset, the first-used Buffer A for each receive subaddress will contain 0x0000 for the Message Information and Time Tag Words and all data locations, until the first message is transacted).

20.3.2. Ping-Pong Enable / Disable Handshake

Because ping-pong messages and host buffer servicing are asynchronous, there is potential for “data collision”. Here is a data collision example: The host reads data from an earlier message while the device simultaneously writes new message data to the same buffer. The host reads a mix of new and old message data. Collisions can occur for both transmit and receive messages.

A handshake scheme lets the external host asynchronously service ping-pong data buffers without data collision. To off-load or load a subaddress (or mode code) buffer, the application software performs the following sequence:

- a. Host asserts the Control Word STOPP bit to suspend ping-pong operation for the subaddress. When the device recognizes STOPP bit assertion, it negates the PPON bit to acknowledge ping-pong is disabled. While PPON remains low, the last written (or read) data buffer is protected against device updates. During this time, new messages use the active buffer indicated by the Control Word DPA bit. Recurring messages repeatedly use the same buffer until ping-pong resumes.
- b. Host services the last-used data buffer. If the Control Word DPB bit equals logic 1, the last command used Buffer A. The host application software off-loads or loads inactive Buffer A while the remote terminal uses active Buffer B for new message(s). If the DPB bit equals logic 0, the last command used Buffer B. The host application software off-loads or loads inactive Buffer B while the remote terminal uses active Buffer A for any new messages. Each new receive message overwrites buffer contents from the last receive message. To avoid possible data loss, host buffer servicing should be timed for completion before a second message can occur.
- c. Host negates the Control Word STOPP bit to resume ping-pong operation for the subaddress. When the RT recognizes the STOPP bit is reset, it sets the PPON bit to acknowledge ping-pong is again active. As long as PPON remains set, the device alternates between data buffers A and B for new messages.



Message processing alternates between Data Buffers A and B. Upon successful message completion, the DPB bit in Descriptor Control Word is updated so next message uses other buffer. Buffers are overwritten every other message.

Separate buffer for broadcast messages is optional. There is no alternate buffer for successive broadcast messages.

Figure 18. Illustration of Ping-Pong Buffer Mode

20.3.3. Broadcast Message Handling in Ping-Pong Mode

For MIL-STD-1553B Notice II compliance, a remote terminal should be capable of storing data from broadcast messages separately from non-broadcast message data. Some applications may not include this requirement. The standard does not stipulate where data separation should occur (e.g., within the RT or within the external host) so the device provides alternative strategies.

When the NOTICE2 bit in the RT Configuration Register is 1 and the BCSTINV bit is 0, ping-pong mode subaddresses (or mode codes) will buffer data words from broadcast and non-broadcast messages separately. Broadcast message information and data are stored in the broadcast data buffer; non-broadcast message information and data are stored in ping-pong buffers A and B. Since there is just one broadcast data buffer, the NOTICE2 option treats broadcast messages as exceptions to normal ping-pong mode. When using the NOTICE2 option, broadcast data buffer servicing should have high priority, because a closely following broadcast message will overwrite the broadcast buffer.

Every mode command and subaddress (including transmit subaddresses) must have an assigned valid broadcast data pointer when NOTICE2 is asserted. When the NOTICE2 bit in the RT Configuration Register is 1 and the BCSTINV bit is 0, reception of a broadcast-transmit message updates the Message Information and Time-Tag Words for the assigned broadcast buffer, but no data is transmitted on the bus. Since broadcast-transmit is not allowed, multiple transmit subaddresses may share a common “bit bucket” broadcast buffer. A two word buffer is sufficient for storing the MIW and Time-Tag Word.

When using ping-pong mode, there are two ways to handle broadcast messages, when broadcast is enabled:

Option 1 for Ping-Pong Mode Broadcast Messages:

This option isolates broadcast message information in the broadcast data buffer. If the descriptor Control Word IBR bit and Interrupt Enable Register IBR bit are both set, reception of broadcast messages generates an INT host interrupt. To prevent data loss, the broadcast data buffer must be serviced before the next broadcast message occurs. Broadcast messages do not affect non-broadcast message ping-pong; the Control Word DPB bit does not toggle after broadcast message completion.

Option 1 Setup: At initialization, host asserts the NOTICE2 bit in the RT Configuration Register and sets the IBR (Interrupt Broadcast Received) bit in descriptor Control Word(s). The IBR bit is asserted in the Interrupt Enable Register.

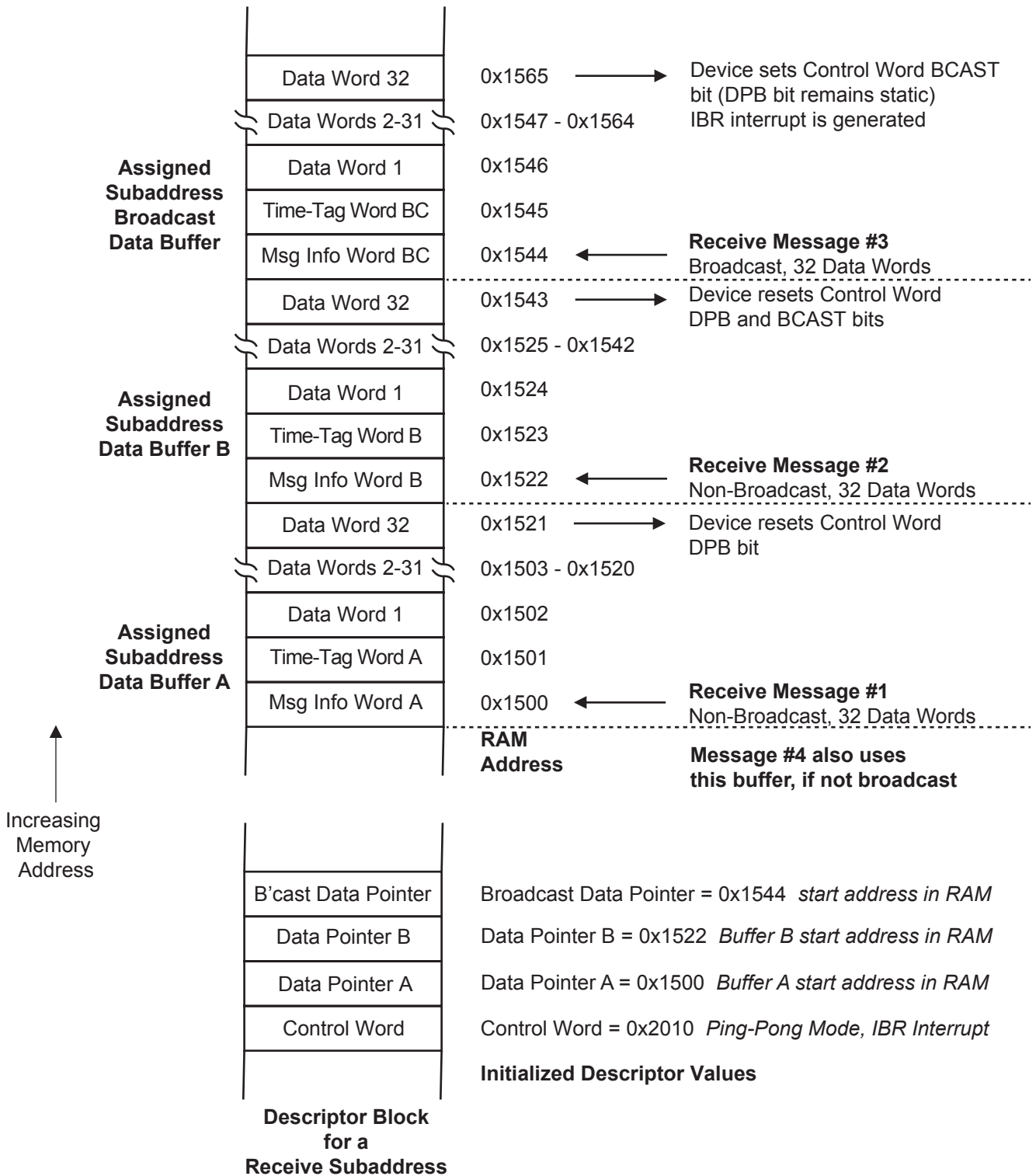
When a broadcast command is received, message information and data is stored in the broadcast data buffer and an $\overline{\text{INT}}$ interrupt is generated. The host must read the Interrupt Log to determine the originating subaddress (or mode code), then service the broadcast data buffer for that subaddress (or mode code) before another broadcast message to the same subaddress (or mode code) arrives.

Option 2 for Ping-Pong Mode Broadcast Messages:

The second alternative stores both broadcast and non-broadcast message information in the ping-pong data buffers A and B. IWA interrupts can signal arrival of any new message. The RT handles broadcast messages just like non-broadcast messages, except the Message Information Word BCAST bit is asserted to identify broadcast messages during host buffer servicing. All messages toggle the Control Word DPB bit in message post-processing. For Notice II compliance, separation of broadcast and non-broadcast data occurs within the host.

Option 2 Setup: At initialization, host negates the NOTICE2 bit in the RT Configuration Register. If IWA interrupts are used, the host asserts the descriptor Control Word IWA (Interrupt When Accessed) bit 14 and the corresponding bit is asserted in the Interrupt Enable Register. Using this option, the IBR interrupt is probably not used.

The host typically services the ping-pong data buffers A and B whenever a message is transacted. Using the setup above, this occurs whenever the subaddress IWA interrupt generates an $\overline{\text{INT}}$ interrupt output for the host. The host must read the Interrupt Log to determine the originating subaddress or mode code. The applicable data buffer is indicated by the DPB bit in the Receive Control Word. The Message Information Word BCAST bit is asserted if the message was broadcast.



Following reset (which resets Control Word DPB bit), the subaddress transacts 4 commands of 32 data words each. The NOTICE 2 option is enabled so the device segregates data from broadcast and non-broadcast messages. Message #3 is a broadcast command, while the other three messages are non-broadcast. Notice that the broadcast message does not affect DPB bit, but the following message resets BCAST bit. The interspersed broadcast command does not affect alternation between Buffer A and Buffer B.

Figure 19. Ping-Pong Buffer Mode Example for a Receive Subaddress

20.4. Indexed Data Buffer Mode

Also called “single buffer mode”, indexed buffering is one method for storing message and time-tag information and data associated with messages. Buffer mode is selected for each subaddress or mode code in the Descriptor Table Control Words. Indexed mode is enabled when Control Word PPEN, CIR1EN and CIR2EN bits are all zero.

When a subaddress or mode command uses the indexed data buffer mode, its 4-word descriptor block in the Descriptor Table is defined as follows:

Descriptor Word 1	Control Word
Descriptor Word 2	Data Pointer A
Descriptor Word 3	INDX Index Word
Descriptor Word 4	Broadcast Data Pointer

If Descriptor Word 1 is stored at memory address N, Descriptor Word 2 is stored at address N+1, and the other two words are stored at addresses N+2 and N+3.

As the name implies, all message information and data is stored in a single buffer, indexed by descriptor word Data Pointer A. The descriptor Control Word DPB bit is “don’t care”. The host initializes the desired message count in descriptor INDX word. During message processing, the device retrieves or stores data words from the address specified by descriptor Data Pointer A, automatically incrementing the pointer address as words are read or stored. Data Pointer A is updated during command post-processing with the current buffer address unless the message index count in descriptor INDX (word 3 of descriptor block) decrements to zero upon completion of the message. Figure 20 is a general illustration of indexed single buffer mode. Figure 21 shows a specific example.

To set up a terminal subaddress to buffer multiple messages, the host writes the desired index count (INDX) to subaddress descriptor word 3. The initial INDX value ranges from zero to 3FF hex (1023) messages. The device decrements the INDX count each time an error-free message is transacted, and the data pointer is updated to the first memory address to be used for the next message. If INDX decrements from one to zero and Control Word IXEQZ bit 15 is asserted, the IXEQZ bit is set in the Interrupt Pending Register. If the corresponding bit in the Interrupt Enable Register is asserted, an $\overline{\text{INT}}$ interrupt is generated when INDX decrements from one to zero.

INDX counter decrement does not occur if the command was illegalized or if INDX already equals zero. Once INDX equals zero, further commands will overwrite the last-written data buffer block and the data pointer value is not updated after successful message completion.

When using Index Mode with a non-zero INDX value, the host must remember the initial Data Pointer A address. The Data Pointer A word is not automatically reinitialized to the buffer start address when INDX decrements from 1 to 0.

20.4.1. Single Message Mode

When Index Mode is initialized with an INDX value of zero, the subaddress or mode code is operating in “Single Message Mode”. Here, the same data block is repeatedly over-read (for transmit data) or overwritten (for receive or broadcast data). The DPA pointer is not updated at the end of each message. The chief advantage of single message mode is simplicity. In comparison to other data buffering options, the single message buffer uses an absolute minimum amount of memory space. The IXEQZ interrupt cannot be used for this scheme (INDX is always zero) but IWA interrupts may be used. Single message mode is best suited to synchronous data transfer where the host processor can reliably read or write new message data prior to the start of the next message to the same subaddress or mode code.

20.4.2. Broadcast Message Handling in Index Mode

For MIL-STD-1553B Notice II compliance, a remote terminal should be capable of storing data from broadcast messages separately from non-broadcast message data. Some applications may not include this requirement. The standard does not stipulate where data separation should occur (e.g., within the RT or within the external host) so the device supports alternative strategies.

HI-6130, HI-6131

When the NOTICE2 bit is logic 1 in the RT Configuration Register, broadcast message data is stored in a broadcast data buffer assigned for the subaddress or mode command. Each subaddress or mode command must have an assigned, valid non-zero broadcast buffer address. Non-broadcast message data is stored in Data Buffer A.

There are two ways to deal with broadcast messages in indexed buffer mode:

Option 1 for Index Mode Broadcast Messages:

The first alternative isolates broadcast message information in the broadcast data buffer. If the descriptor Control Word IBR bit and Interrupt Enable Register IBR bit are both set, reception of broadcast messages generates an $\overline{\text{INT}}$ interrupt to the host. The broadcast data buffer must be processed before another broadcast message arrives to prevent loss of data. Broadcast messages do not decrement the INDX register, and Data Pointer A is not updated in message post-processing. This scheme may be well suited for Single Message Mode (INDX = 0) when the host can reliably service either the broadcast data buffer or data buffer A before the next receive message arrives for the same subaddress (or mode code).

Option 1 Setup: At initialization, host asserts NOTICE2 bit in the RT Configuration Register and sets the Control Word IBR (Interrupt Broadcast Received) bit for each index mode descriptor block. The IBR bit is also asserted in the Interrupt Enable Register.

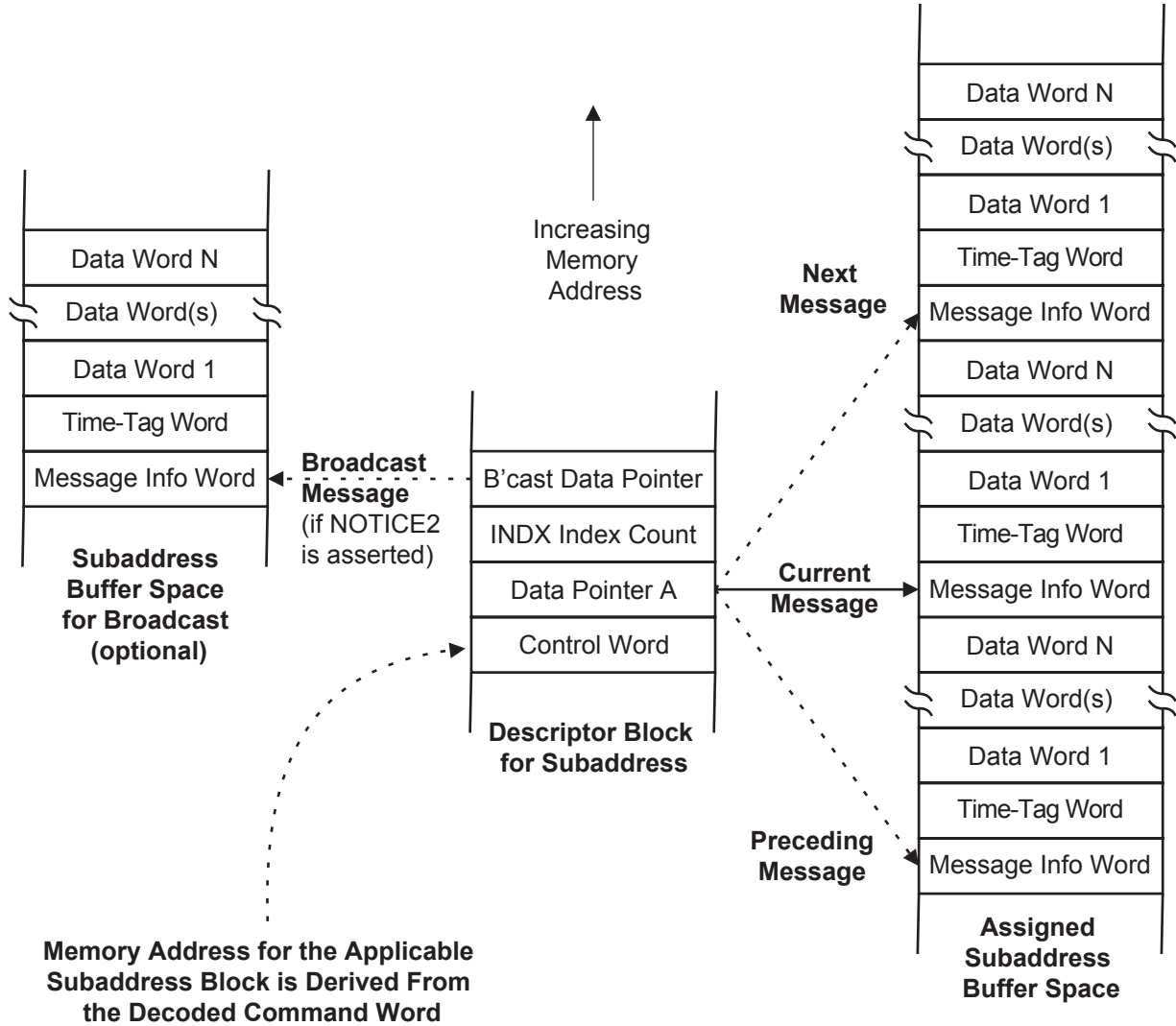
When a broadcast command is received, message information and data are stored in the broadcast data buffer. If descriptor Control Word IBR bit is set, an $\overline{\text{INT}}$ interrupt is generated. The host must read the Interrupt Log to determine the originating subaddress (or mode code) then service the broadcast data buffer for that subaddress (or mode code) before the next broadcast message to the same subaddress (or mode code) arrives.

Option 2 for Index Mode Broadcast Messages:

The second alternative stores both broadcast and non-broadcast message information in data buffer A. Optional IBR interrupts can signal arrival of broadcast messages. The RT handles broadcast messages just like non-broadcast messages, except the Message Information Word BCAST bit is asserted to identify broadcast messages during host buffer servicing. All messages decrement the INDX register and Data Pointer A is updated in message post-processing. This scheme is compatible with Single Message Mode or conventional N-message indexing. For Notice II compliance, separation of broadcast and non-broadcast data occurs within the host.

Option 2 Setup: At initialization, host negates the NOTICE2 bit in the RT Configuration Register. If broadcast interrupts are used, the Control Word IBR (Interrupt Broadcast Received) bit is asserted at each desired index mode descriptor block. The IBR bit is also asserted in the Interrupt Enable Register.

Using option 2, the host has several options for servicing data buffer A: (a) when INDX decrements from one to zero (using the IXEQZ interrupt), (b) when a broadcast message occurs (using the IBR interrupt) or (c) when any message arrives (using the IWA interrupt).



Upon successful message completion, if non-zero the INDX count in Descriptor Word 3 is decremented. If decremented result is non-zero, Data Pointer A is adjusted so next message is stored above just-completed message. If decremented INDX is zero, Data Pointer A remains static and IXEQZ interrupt occurs if enabled in Control Word.

Figure 20. Illustration of Indexed Buffer Mode

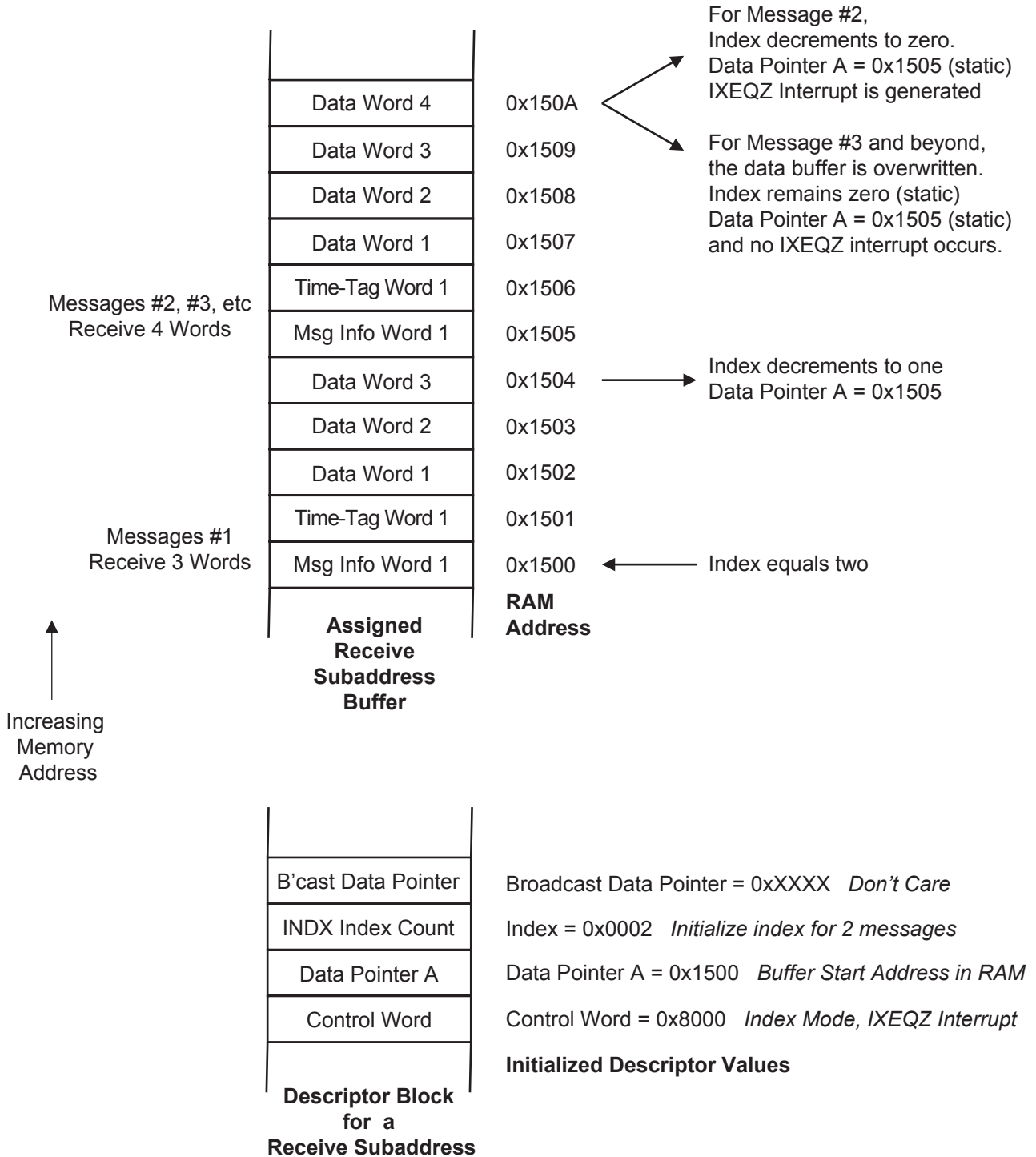


Figure 21. Indexed Buffer Mode Example for a Receive Subaddress (broadcast disabled)

20.5. Circular Buffer Mode 1

The device offers two circular data buffer modes as alternatives to ping-pong and indexed buffering. These circular buffer options only apply for subaddress commands, not mode code commands. Circular buffering simplifies software servicing of the remote terminal when implementing bulk data transfers. A circular buffer mode can be selected for any subaddress by properly initializing its descriptor Control Word. Circular Buffer Mode 1 is selected when descriptor Control Word PPEN and CIR2EN bits are both 0, and the CIR1EN bit is logic 1.

When a subaddress uses circular buffer mode 1, its four word block in the Descriptor Table is defined as follows:

Descriptor Word 1	Control Word
Descriptor Word 2	SA (Buffer Start Address)
Descriptor Word 3	CA (Buffer Current Address)
Descriptor Word 4	EA (Buffer End Address)

If Descriptor Word 1 is stored at memory address N, Descriptor Word 2 is stored at address N+1, and the other two words are stored at addresses N+2 and N+3.

Figure 22 provides a generalized illustration of Circular Buffer Mode 1, while Figure 23 shows a specific example. Circular Buffer Mode 1 uses a single user-defined buffer that merges all transmit or receive data, along with message information. Two words (Message Information and Time-Tag) are stored at the beginning of the block for each message, followed by the message data word(s). The Mode 1 buffer pointers roll over (are reset to their base addresses) when the allocated data buffer memory is full.

For each valid receive message, the device enters a Message Information word, Time-Tag word and data word(s) into the circular receive buffer. For each valid transmit message, the device enters a Message Information word and a Time-Tag word into reserved memory locations within the circular transmit buffer. The device automatically controls the wrap around of circular buffers.

Two pointers define circular buffer length: start of buffer (lowest address) and end of buffer (highest address). User specifies the start of buffer (SA) by writing the lowest address value into the second word of a unique subaddress descriptor block. The user defines the end of the buffer (EA) by writing the highest address value to the fourth word of that unique descriptor block. Both SA and EA remain static during message processing. The third word in the descriptor block identifies the current address CA (i.e., last accessed address plus one). The circular buffer wraps to the start address after completing a message that results in CA being greater than or equal to EA. If CA increments past EA during message processing, the device will access memory addresses greater than the EA value. Reserve 33 address locations past the EA address to accommodate a worst-case 32 data word message with a record starting at address = EA minus 1.

Each receive subaddress and transmit subaddress may have a unique circular buffer assignment. The RT decodes the command word T/\bar{R} bit, subaddress field and word count / mode code field to select the unique command descriptor block containing the Control Word, SA pointer, CA pointer and EA pointer.

For receive messages, the device stores the Message Information word to the address specified by CA, the Time-Tag word into CA+1 and the data into the next "N" locations starting with CA+2. For transmit messages, the device stores the Message Information word to the address specified by CA and the Time-Tag word into CA+1. Retrieval of data for transmission starts at address CA+2. When entering multiple transmit command data packets into the circular buffer, delimit each data packet with two reserved memory locations. The device stores the Message Information word and Time-Tag word into the reserved locations when processing the command.

Message processing for all commands begins with the device reading the unique descriptor block for the subaddress or mode code specified by the T/\bar{R} bit, subaddress and word count fields in the received command word.

For receive messages, the device stores "N" received data words in the circular data buffer. The first data word received is stored at the location specified by the CA pointer +2. After message completion, the device stores the Message Information word and Time-Tag words to addresses CA and CA+1 respectively. If no errors were detected, the

HI-6130, HI-6131

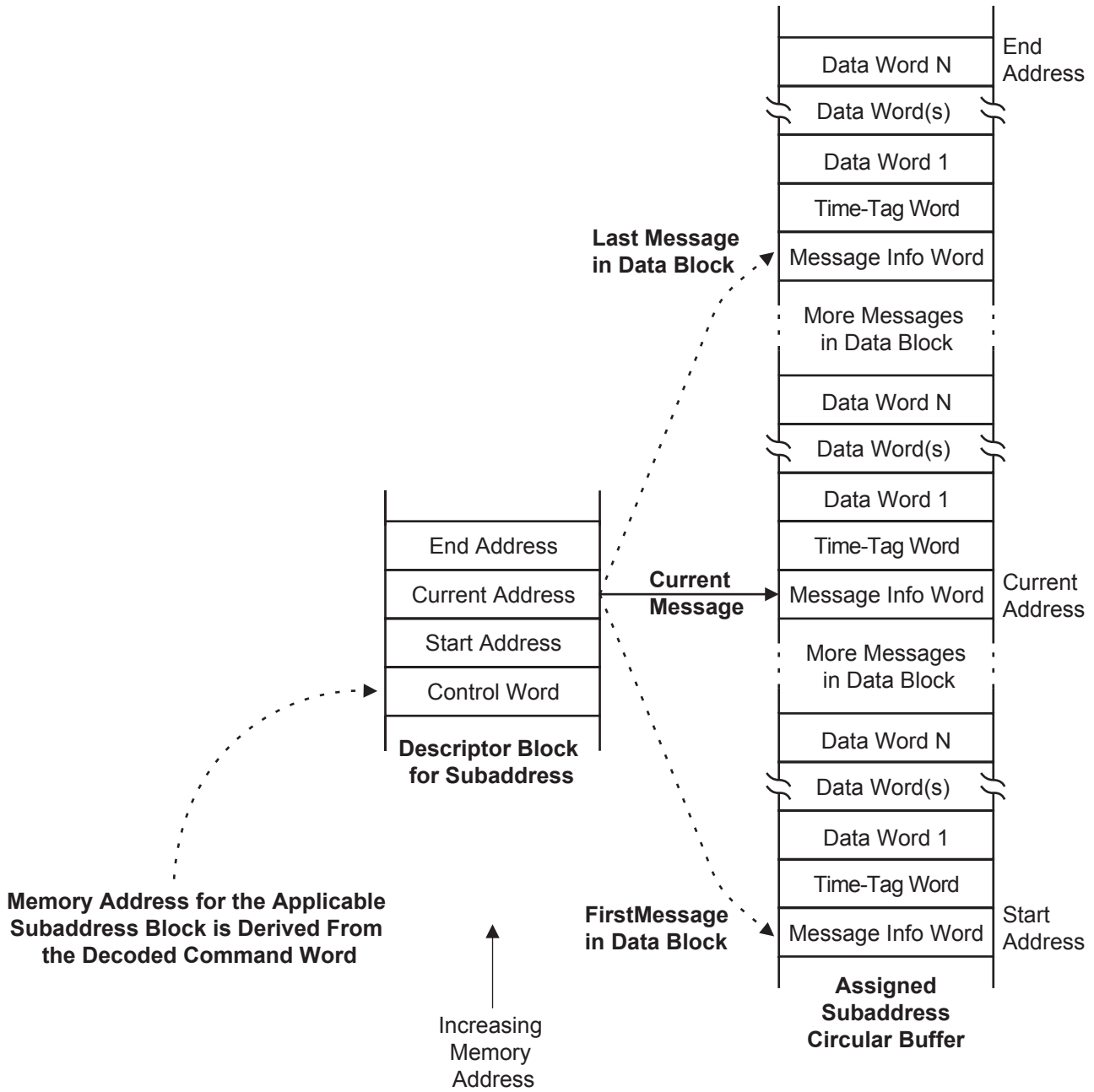
device updates descriptor CA register. If the next address location (last stored data word +1) is less than or equal to EA, CA is updated to (last stored address +1). If the next address location (last stored data word +1) is greater than EA, the data buffer is full (or empty); CA is updated to the SA value. If descriptor Control Word IXEQZ bit is asserted (and if Interrupt Enable Register IXEQZ bit is asserted) the device generates an interrupt to indicate full receive buffer by asserting the $\overline{\text{INT}}$ interrupt output.

Although all messages store Message Information and Time-Tag words, no data is stored if the message ended with error, or if the Busy status bit was set or if the command was illegal (example: illegalized word count). Such messages do not update CA, so the next message overwrites the same buffer space.

For transmit commands, the device begins transmission of data retrieving the first data word stored at address CA+2. (Reminder: addresses CA and CA+1 are reserved for the Message Information and Time-Tag words.) When message processing is complete, the device writes the Message Information and Time-Tag words into the buffer. If no errors were detected, the device updates descriptor CA register. If the next address location (last retrieved data word +1) is less than or equal to EA, CA is updated to (last retrieved address +1). If the next address location (last retrieved data word +1) is greater than EA, the transmit data buffer is empty; CA is updated to the SA value. If the descriptor Control Word IXEQZ bit is asserted (and if the Interrupt Enable Register IXEQZ bit is asserted) the device indicates “transmit buffer empty” by asserting the $\overline{\text{INT}}$ interrupt output.

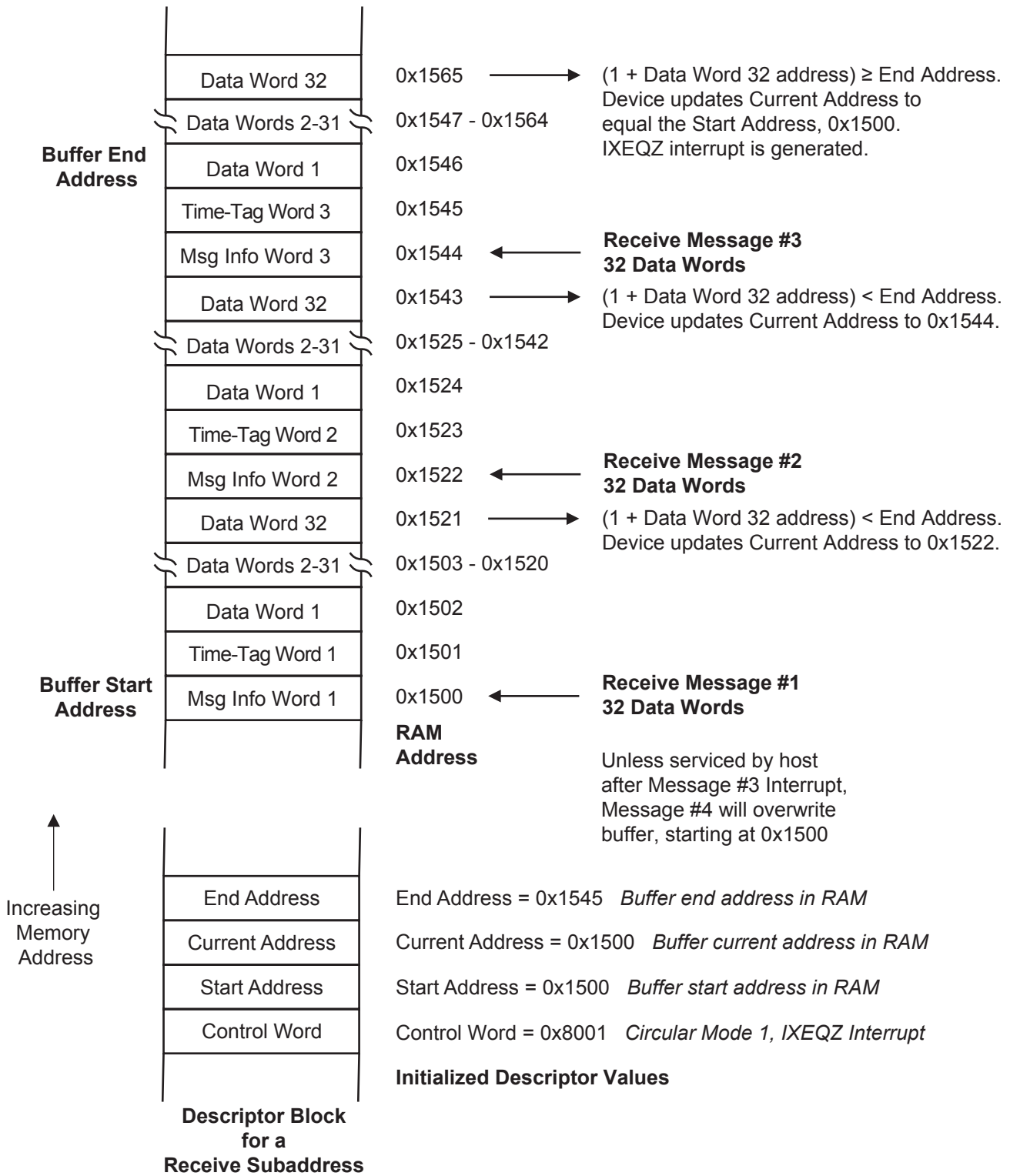
Device hardware does not segregate broadcast and non-broadcast data for this circular buffer mode, even when the NOTICE2 bit is set in the RT Configuration Register. Data words from broadcast receive commands are stored in the same buffer with data from non-broadcast receive commands. However Notice 2 for MIL-STD-1553 does not state where data segregation should occur. It is acceptable for the host to separate broadcast and non-broadcast data when offloading the circular buffer. To choose this option, set bit 3 in Extended Configuration Register 0x004D. This enables the BCAST (broadcast status) bit in the Message Information Word stored for each message. This flag reflects broadcast or non-broadcast status for each message in the buffer.

For transmit subaddresses using Circular Buffer Mode 1, occurrences of broadcast-transmit commands to RT31 do not result in bus transmission. However these messages update the Message Information Word addressed by the Current Address (CA) pointer (and following Time-Tag Word) but afterwards, the CA pointer remains unchanged. The next transmit command to the same subaddress, whether broadcast or not, overwrites the Message Information and Time-Tag Word locations written by the previous broadcast transmit command.



Descriptor block is initialized so Current Address equals buffer Start Address. After each successful message transaction, Current Address is adjusted to point past last data word accessed. If adjusted Current Address points past End Address, the Current Address is reinitialized to match Start Address and an optional interrupt is generated to notify host that the pre-determined data block was fully transacted.

Figure 22. Illustration of Circular Buffer Mode 1



Unlike Indexed mode, Data Block completion is based on Buffer Full / Buffer Empty, not number of messages. Buffer size was purposely sized to yield remaining capacity after 2 full-count messages, to illustrate device behavior. The circular buffer should have a 33-word pad beyond its End Address to deal with buffer overrun without data loss.

Figure 23. Circular Buffer Mode 1 Example for a Receive Subaddress

20.6. Circular Buffer Mode 2

Circular Buffer Mode 2 segregates message data and message information in separate host-defined buffers. Separating data from message information simplifies the host software that loads or unloads the data to or from the buffer. After a predetermined number of messages has been transacted, buffer address pointers for data and message information are automatically reset to their base addresses. Figure 24 is a generalized illustration of Circular Buffer Mode 2, while Figure 25 shows a specific example.

Circular Buffer Mode 2 is selected when the Control Word PPEN bit is zero and the CIR2EN bit is logic 1. When the CIR2EN bit is high, the CIR1EN bit is don't care. The descriptor Control Word DPB bit is not used.

Any receive subaddress using circular buffer mode 2 has two circular buffers: a data storage buffer and a message information buffer. A separate buffer pair may be used for transmit commands to the same subaddress, if it also uses circular buffer mode 2. Each transmit and receive subaddress using circular buffer mode 2 may have unique data buffer and message info buffer assignments. Careful management (involving the bus controller) may allow buffer sharing, as long as multiple message sequences to a given subaddress are not interrupted by messages to other subaddresses that use the same buffer space.

When a subaddress uses circular buffer mode 2, its Descriptor Table 4-word block is defined as follows:

Descriptor Word 1	Control Word
Descriptor Word 2	SA (Buffer Start Address)
Descriptor Word 3	CA (Buffer Current Address)
Descriptor Word 4	MIBA (Message Info Buffer Addr)

If Descriptor Word 1 is stored at memory address N, Descriptor Word 2 is stored at address N+1, and the other two words are stored at addresses N+2 and N+3. The first word in the descriptor block is the Control Word. The second and third words in the descriptor are the Start Address (SA) and Current Address (CA) pointers. The Message Information Buffer Address (MIBA) points to the storage location for the Message Information Word from the next occurring message.

Each time a message is completed, the device writes a new Message Information Word and Time-Tag Word in the MIB (Message Information Buffer) at the MIBA address and following location, respectively. The MIBA pointer is not updated if message error occurred, if the Busy status bit was set, or if the command was illegalized (for example an illegal word count expressed in the command word.) For these situations, the Message Information and Time-Tag words are still written, but MIB updates for the following message will overwrite the just-written Message Information and Time-Tag word addresses.

For error-free receive messages, received data words are stored in the data buffer after message completion, starting at the CA address value. The CA value is then updated for next-message readiness.

After writing the two MIB words, the device updates the MIBA value to show the buffer address to be used by the next message. Until the predetermined number of error-free messages is transacted, the MIBA value is double-incremented at each update. Before updating the MIBA in Descriptor Word 4, the pre-existing MIBA value is incremented once then checked for "full count," occurring when all N low-order address bits initialized to zero (explained below) become N "one" bits. Full count means the predetermined number of successful messages was completed. When this occurs, the CA and MIB pointers are automatically written to their initialized values by the device.

To preserve data integrity, the TRXDB bit should be set in the RT Configuration Register to avoid storing incomplete data from messages resulting in error. With TRXDB asserted, the host is not bothered by message retries caused by errors. The Buffer Empty/Full interrupt (if enabled) is generated only upon successful transaction of the entire N-message data block.

To initialize Circular Buffer Mode 2, the host must know the number of messages to be transacted, always a power of two: 1, 2, 4, 8, 16, 32, 64, 128, 256 or 512 messages. The host writes descriptor Control Word bits 7:4 with an encoded 4-bit value to set the fixed number of messages to be transacted. This is illustrated in Table 18. The host initializes the

HI-6130, HI-6131

descriptor block MIBA pointer with a Message Information Buffer starting address. Because the MIB stores two words for each message, the allocated MIB space should equal 2x the number of messages.

The initially-loaded MIB base address value is restricted. Some lower bits of the starting address must be zero so the device can restore the MIBA pointer to the initial MIB base address after the predetermined message count is transacted. As illustrated in Table 18, the required number of logic-0 bits depends on the message count. Initializing the MIBA base address with more trailing zeros than indicated is acceptable; initializing less trailing zeros will cause malfunction.

Allocated space in the data buffer (see column 3, Table 18) assumes each message has the maximum 32 data words. If messages contain less than 32 words, the data buffer size can be reduced. Since Circular Buffer Mode 2 counts messages, values in all remaining Table 18 columns remain valid when message word count is reduced.

The host may read the MIBA value to determine the number of messages that have occurred since initialization. By reading the initially-zeroed lower bits of the MIB Address, the host may determine the number of the next occurring message.

From Table 18, a block of 128 messages requires 8 trailing zeros in the initial MIBA address, for example, 0x0F00. After each message is completed, the MIBA value is updated (0x0F02, 0x0F04, etc.) The device detects message block completion when all required initially-zero trailing address bits equal 1 after MIBA is incremented once. In our example, MIBA would increment from 0x0FFE to 0x0FFF. When “full count” occurs, the device updates MIBA to the original value (e.g., 0x0F00) and copies the SA starting address value to CA current address register, ready for buffer service by the host. The device optionally generates a “buffer empty-full” interrupt for the host when block transfer is completed.

During block transfer, the host can read the MIBA value to determine the number of additional messages needed before the N-message data block is complete.

Message processing for all commands begins with the RT reading the unique descriptor block for the subaddress specified by the T/R bit, subaddress and word count fields in the received command word.

Table 18. Circular Buffer Mode 2 (Initialization factors based on message block size)

Number of Messages	Control Word Bits 7:4 CIR2ZN Field	Required Data Space if 32 Words / Msg	Required MIB Space, 2 Words / Msg	Initial binary MIBA Value, Showing the Required Leading and Trailing Zeros
2	0010 (2)	64	4	00xxxxxxxxxxxx00
4	0011 (3)	128	8	00xxxxxxxxxxxx000
8	0100 (4)	256	16	00xxxxxxxxxx0000
16	0101 (5)	512	32	00xxxxxxxx00000
32	0110 (6)	1,024	64	00xxxxxxxx000000
64	0111 (7)	2,048	128	00xxxxxxx0000000
128	1000 (8)	4,096	256	00xxxxxx00000000
256	1001 (9)	8,192	512	00xxxxx000000000
512	1010 (A)	16,384	1,024	00xxx0000000000

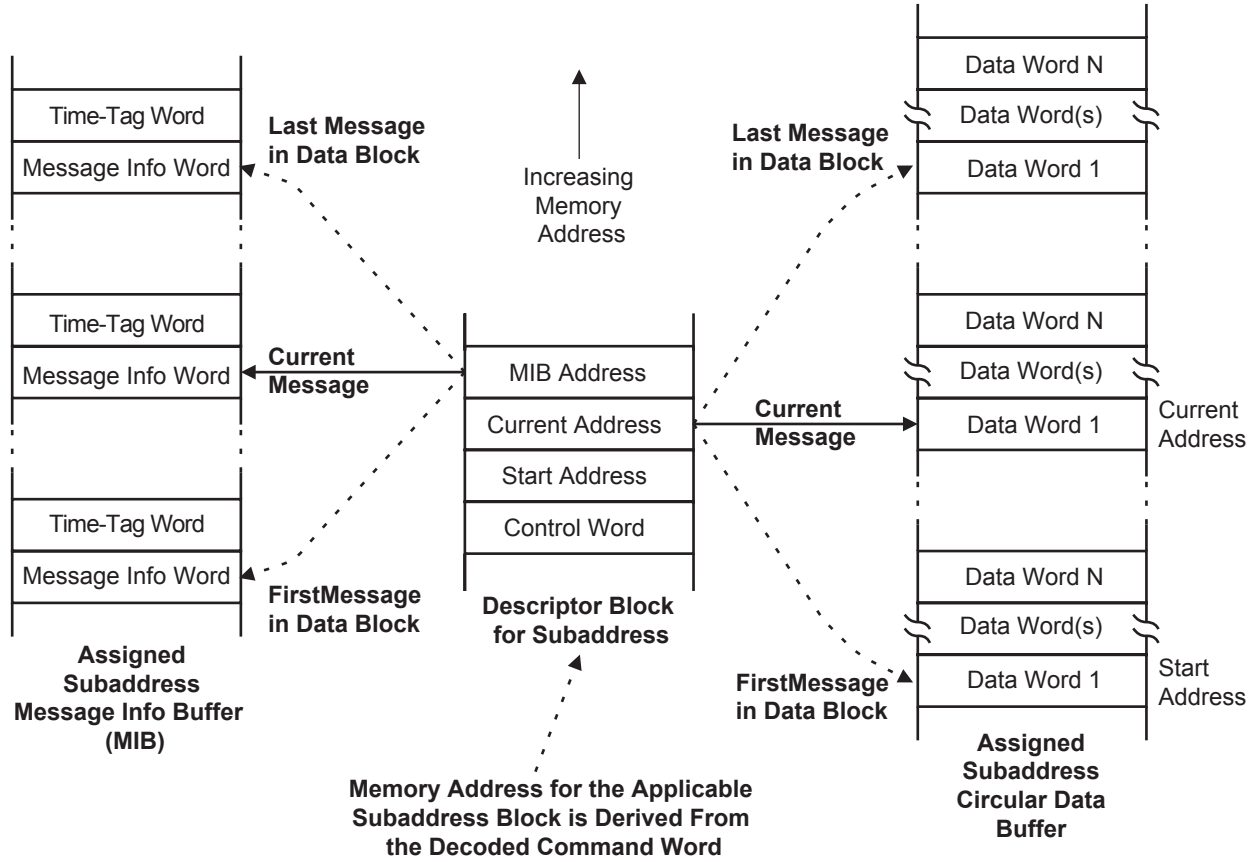
HI-6130, HI-6131

For receive subaddresses using Circular Buffer Mode 2, the device stores received data words in the circular data buffer. The first data word received for each message is stored at the location indicated by the CA pointer. After the correct number of words is received (as specified in the command word) the device writes Message Information and Time-Tag words in the Message Information Buffer then updates the descriptor CA Current Address and MIBA Message Information pointers for next-message readiness. If the predetermined total number of messages has not yet been transacted, MIBA points to the next location in the message information buffer and CA points to the next location in the data buffer. If the completed message is the last message in the block, the CA current (data) address and MIBA message Information pointers are reinitialized to their base address values. (Control Word bits 7:4 tell the device how many MIBA lower bits to reset.) If the descriptor Control Word IXEQZ bit is asserted (and if the Interrupt Enable Register IXEQZ bit is asserted) the device generates a Buffer Full / Empty interrupt, asserting the $\overline{\text{INT}}$ interrupt output.

For transmit subaddresses using Circular Buffer Mode 2, the device transmits data from the assigned RAM buffer, starting at the location specified by the CA pointer. The first data word transmitted is stored at the location specified by the CA pointer. After all data words are transmitted (as specified in the command word) the device writes Message Information and Time-Tag words in the Message Information Buffer then updates the descriptor CA Current Address and MIBA Message Information pointers for next-message readiness. If the predetermined total number of messages has not yet been transacted, MIBA points to the next location in the message information buffer and CA points to the next location in the data buffer. If the completed message is the last message in the block, the CA current (data) address and MIBA message Information pointers are reinitialized to their base address values. (Control Word bits 7:4 tell the device how many MIBA lower bits to reset.) If the descriptor Control Word IXEQZ bit is asserted (and if the Interrupt Enable Register IXEQZ bit is asserted) the device generates a Buffer Full / Empty interrupt, asserting the $\overline{\text{INT}}$ interrupt output.

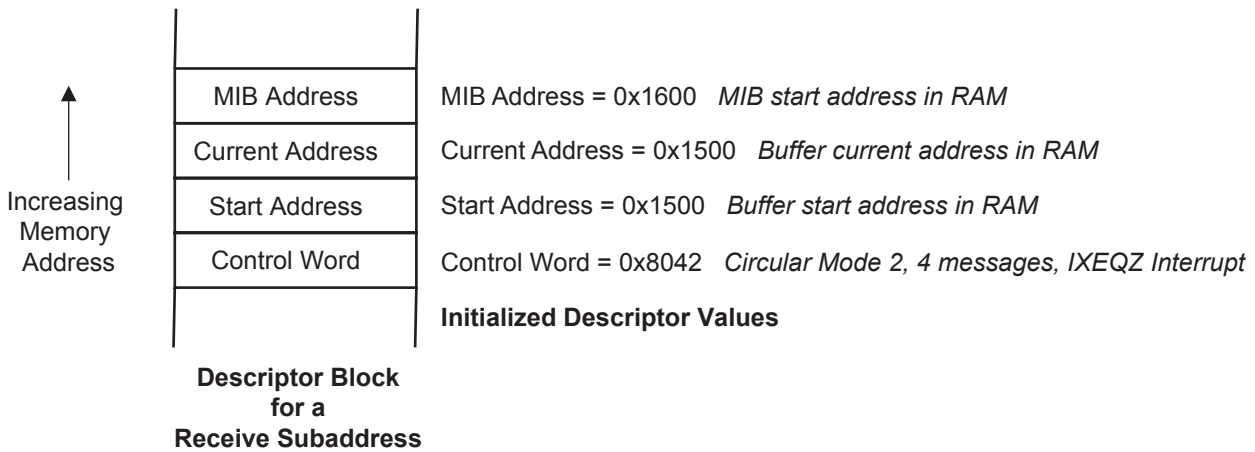
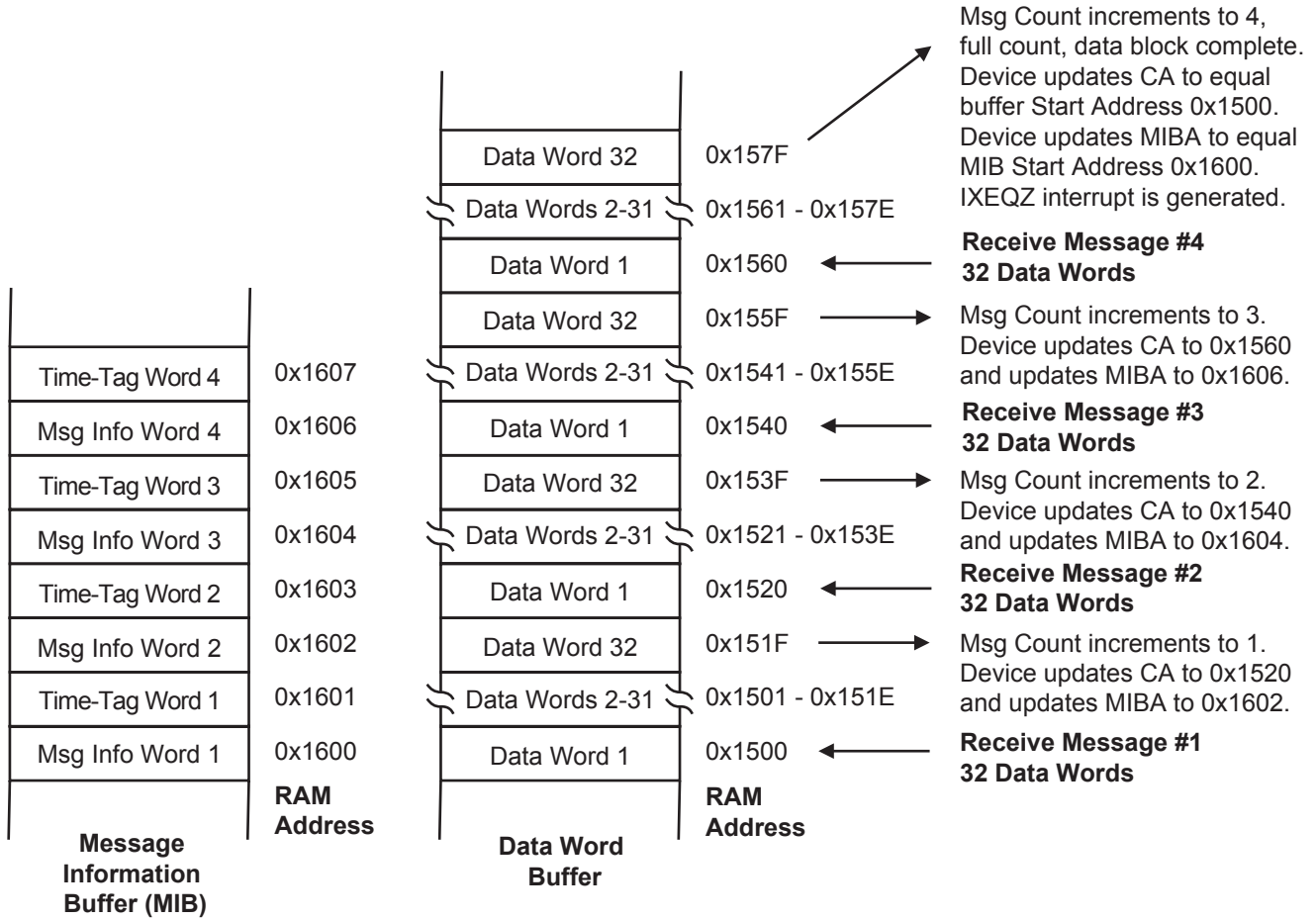
Device hardware does not segregate broadcast and non-broadcast data for this circular buffer mode, even when the NOTICE2 bit is set in the RT Configuration Register. Data words from broadcast receive commands are stored in the same buffer with data from non-broadcast receive commands. However Notice 2 for MIL-STD-1553 does not state where data segregation should occur. It is acceptable for the host to separate broadcast and non-broadcast data when offloading the circular buffer. To choose this option, set bit 3 in Extended Configuration Register 0x004D. This enables the BCAST (broadcast status) bit in the Message Information Word stored for each message. This flag reflects broadcast or non-broadcast status for each message in the buffer.

For transmit subaddresses using Circular Buffer Mode 2, occurrences of broadcast-transmit commands to RT31 do not result in bus transmission. However these messages update the Message Information Word addressed by the Message Information Block (MIB) pointer (and the following Time-Tag Word) but afterwards, the MIB and CA pointers remain unchanged. The next transmit command to the same subaddress, whether broadcast or not, overwrites the Message Information and Time-Tag Word locations written by the previous broadcast transmit command.



Segregated storage for data and message information simplifies host loading / offloading of buffered data. Descriptor MIB Address tracks number of messages. Full count occurs when N initialized 0-bits become N 1-bits. When full number of messages in block is transacted, an optional interrupt is generated to notify host.

Figure 24. Illustration of Circular Buffer Mode 2



Data Block completion is based on number of messages, not Buffer Full or Buffer Empty. Example is set to successfully transact four 32 data word receive messages, then generate IXEQZ interrupt for host. The data buffer requires minimal processing by host because message information words are stored separately in MIB.

Figure 25. Circular Buffer Mode 2 Example for a Receive Subaddress

21. REMOTE TERMINAL RT1 AND RT2 MODE COMMAND PROCESSING

21.1. General Considerations

The device provides decoding for all mode code combinations, consistent with MIL-STD-1553B requirements. Several mode command options are provided to suit any application requirement:

In the RT Configuration Register, the option bit UMCINV (Undefined Mode Codes Invalid) globally defines whether undefined mode code commands are treated as valid (default) or invalid commands. This bit applies only to the following 22 mode code commands that are undefined in MIL-STD-1553B:

Mode Codes 0 through 15 with T/\bar{R} bit = 0
Mode Codes 16, 18 and 19 with T/\bar{R} bit = 0
Mode Codes 17, 20 and 21 with T/\bar{R} bit = 1

If the UMCINV bit is low (default after \overline{MR} reset) undefined mode code commands are considered valid and RT response is based on individual mode command settings in the Illegalization Table: If the command's illegalization table bit equals 0, the mode command is legal; the RT responds "in form" and updates status. If the command's illegalization table bit equals 1 the mode command is illegal, the RT asserts Message Error status and (if non-broadcast) transmits only its Status Word without associated data word. Table 19 describes explicit terminal response for each mode code value and command T/\bar{R} bit state, based on various option settings.

If UMCINV is asserted, the 22 undefined mode code commands are treated as invalid: There is no terminal recognition of the command. No command response occurs and status remains unchanged for the benefit of following "transmit status" or "transmit last command" mode commands.

If UMCINV is low, the device determines legal vs. illegal status of commands from the Illegalization Table. If the terminal does not use illegal command detection, the Illegalization Table should be left in its post-reset default state, all values equal logic 0. In this case, the terminal provides "in form" response to all valid commands. The terminal responds with clear status and a transmitted mode data word for mode commands 16-31 with T/\bar{R} bit equals 1. Assigned data buffer locations can be initialized to provide predictable "in form" responses for all transmit mode codes 16-31. (If UMCINV is asserted, the terminal will not respond or update status for received mode codes 17, 20 and 21 with $T/\bar{R} = 1$.)

To use illegal command detection, the host modifies the Illegalization Table to make illegal any combination subaddress and mode code commands. This may include undefined mode codes, reserved mode codes, and/or mode codes not implemented in the application.

21.2. Mode Command Interrupts

For mode commands, interrupt generation is programmed by the top three bits in the descriptor table Control Word. Notice that broadcast-transmit interrupts can be enabled for mode code values in the range of 0 - 15, but broadcast-transmit mode codes 16 - 31 are not allowed. When a mode command is received and the IWA interrupt bit is asserted in its descriptor Control Word, that command will generate a host interrupt if the IWA bit is high in the Interrupt Enable Register. The IWA bit is asserted in the Pending Interrupt Register and the \overline{INT} interrupt output is asserted.

Before \overline{INT} interrupt assertion, the device updates the Interrupt Log buffer, writing a new IIW Interrupt Information Word and a new IAW Interrupt Address Word. The IWA (interrupt when accessed) bit is asserted in the new IIW to indicate interrupt type. The IAW contains the Descriptor Table address for the mode command's Control Word, based on mode code value and command word T/\bar{R} bit state. The host reads the IAW to determine the command that caused the interrupt.

21.3. Mode Command Data Words

Mode commands having mode code values from 0 through 15 (decimal) do not have an associated data word. These are received as Command Word only, never having a contiguous data word. The terminal response to valid mode com-

HI-6130, HI-6131

mands 0-15 always consists of Status Word only, assuming command was not broadcast.

Mode commands having mode code values from 16 through 31 (decimal) always have an associated data word. When the command word T/\bar{R} bit equals 0, the terminal receives a data word, contiguously following the Command Word. When valid legal mode commands 16-31 arrive with T/\bar{R} bit equal to 1, the terminal responds by transmitting its status word with a single data word.

When the SMCP option bit in the RT Configuration Register is zero, individual data words for mode codes 16-31 decimal are stored in an indexed or ping-pong buffer assigned by the mode command's Descriptor Table entry. Circular buffer methods are not available for mode code commands.

When the SMCP option bit in the RT Configuration Register is asserted, individual data words for mode codes 16-31 decimal are stored within the Descriptor Table itself. This is explained next.

Table 19. Mode Code Command Summary

Command T/\bar{R} bit	Mode Code		MIL-STD-1553 Defined Function	Associated Data Word	Broadcast Allowed	See Note
	Binary	Dec.				
0	00000 to 01111	0 to 15	Undefined mode commands 0 - 15 when T/\bar{R} bit = 0	No	No	(1)
1	00000	0	Dynamic Bus Control	No	No	
1	00001	1	Synchronize (without data)	No	Yes	
1	00010	2	Transmit Status Word	No	No	
1	00011	3	Initiate Self-Test	No	Yes	
1	00100	4	Transmitter Shutdown	No	Yes	
1	00101	5	Override Transmitter Shutdown	No	Yes	
1	00110	6	Inhibit Terminal Flag	No	Yes	
1	00111	7	Override Inhibit Terminal Flag	No	Yes	
1	01000	8	Reset Remote Terminal	No	Yes	
1	01001 to 01111	9 to 15	Reserved Mode Commands 9 - 15 with T/\bar{R} bit = 1	No	Yes	(2)
0	10000	16	Undefined Mode Command	Yes	No	(1)
1	10000	16	Transmit Vector Word	Yes	No	
0	10001	17	Synchronize With Data	Yes	Yes	
1	10001	17	Undefined Mode Command	Yes	No	(1)
0	10010	18	Undefined Mode Command	Yes	No	(1)
1	10010	18	Transmit Last Command	Yes	No	
0	10011	19	Undefined Mode Command	Yes	No	(1)

HI-6130, HI-6131

Command T/R bit	Mode Code		MIL-STD-1553 Defined Function	Associated Data Word	Broadcast Allowed	See Note
	Binary	Dec.				
1	10011	19	Transmit Built-In Test Word	Yes	No	
0	10100	20	Selected Transmitter Shutdown	Yes	Yes	
1	10100	20	Undefined Mode Command	Yes	No	(1)
0	10101	21	Override Selected Transmitter Shutdown	Yes	Yes	
1	10101	21	Undefined Mode Command	Yes	No	(1)
0	01001 to 01111	22 to 31	Reserved Mode Commands 22 - 31 with T/R bit = 0	Yes	Yes	(2)
1	01001 to 01111	22 to 31	Reserved Mode Commands 22 - 31 with T/R bit = 1	Yes	No	(2)

NOTES:

1. The 22 undefined mode commands can be rendered invalid by setting the UMCINV (undefined mode codes invalid) option bit in RT Configuration Register. If UMCINV is asserted, there is no recognition of the undefined command by the terminal. If UMCINV is zero, the commands are considered valid. Terminal response when UMCINV equals 0 is wholly determined by the Illegalization Table:
 - a. If a command's bit in the Illegalization Table equals zero, the terminal responds "in form" with Clear Status. Mode commands 17, 20 and 21 are undefined when T/R bit equals one, but will transmit a contiguous data word. Mode commands 16, 18 or 19 are undefined when T/R bit equals 0, but will receive a contiguous data word.
 - b. If a command's bit in the Illegalization Table equals one, the command is considered illegal. The Message Error (ME) status bit is asserted and the terminal transmits status without data word. Illegal mode commands 16-31 will not transmit or receive a mode data word.
2. Response to the reserved mode commands is fully defined by Illegalization Table settings. As described in (a) and (b) above, the terminal illegalizes any reserved mode command having Illegalization Table bit equal to 1, and responds "in form" when the Table bit equals zero. The "in form" response for reserved mode commands 16 through 31 transacts a received or transmitted data word.

21.4. Standard Mode Command Processing

Data buffer options for mode commands differ from buffer options for subaddress commands. Mode commands can use ping-pong buffering or indexed buffering. When mode commands use indexed buffers, “single message mode” (INDX = 0) is recommended. When using indexed or ping-pong buffers for mode commands:

- For mode commands without associated data word (mode codes 0-15 decimal), only the Message Information and Time-Tag words are updated in the mode command’s assigned data buffer in RAM.
- For mode commands 16-31 (decimal) that receive a data word, indexed and ping-pong buffer methods copy the received mode data word to the mode command’s assigned data buffer in shared RAM, after the message is transacted. The Message Information and Time-Tag words are also updated.
- For most mode commands 16-31 (decimal) that transmit a data word, the device reads the data word for transmit from the buffer location assigned in the Descriptor Table. Exceptions occur for MC18 “transmit last command” and for MC19 “transmit BIT word.” The MC18 data word is automatically provided by the device, based on recent command transactions. The MC19 data word for RT1 comes from register 0x1E or 0x1F, selected by the ALTBITW option in the RT1 Configuration Register (section 18.1). For RT2, the MC19 data word comes from register 0x27 or 0x28, selected by the ALTBITW option in the RT2 Configuration Register. For both MC18 and MC19, the transmitted data word is automatically recorded in the mode command’s assigned data buffer in RAM, after message completion. The Message Information and Time-Tag words are also updated.

21.5. Simplified Mode Command Processing

Mode commands have a buffer alternative that is unavailable for subaddress commands. The SMCP bit in the RT Configuration Register selects Simplified Mode Command Processing, a global option applying to all mode commands. When the SMCP bit is high, mode command descriptor blocks (in the Descriptor Table) do not contain data pointers to reserved buffers elsewhere in the shared RAM. Instead, each 4-word descriptor block itself contains the message information word, the time-tag word and the data from the most recent occurrence of each mode command:

Descriptor Word 1	Mode Command Control Word
Descriptor Word 2	Message Information Word
Descriptor Word 3	Time-Tag Word
Descriptor Word 4	Mode Data Word

Descriptor Word 1 contains the receive or transmit mode command Control Word. When SMCP is used, just two Control Word bits are used: DBAC (descriptor block accessed) and BCAST (broadcast).

When SMCP is enabled, the host need not initialize the mode code command Descriptor Word 2–4 in the Descriptor Table. When Simplified Mode Command Processing is selected, the host does not write Descriptor Words 2-3 in the Descriptor Table entries for mode commands. For mode code values 0 to 15 decimal, the Descriptor Word 4 serves no function because these mode codes do not have an associated data word. For transmit mode code values 16 to 31, the host may initialize Descriptor Word 4. The default transmit value is 0x0000. Mode command MC16 “transmit vector word” is one of the three defined mode commands that transmit a data word: MC16, MC18 and MC19. Its Descriptor Word 4 should be initialized if a value other than 0x0000 is needed. MC18 and MC19 are discussed below.

- For mode commands without associated data word (mode codes 0-15 decimal), Simplified Mode Command Processing updates the Message Information and Time-Tag words in Descriptor Words 2 and 3, and Descriptor Word 1 (bits 9,11). For these commands, SMCP does not update Descriptor Word 4, which may be non-zero if written earlier by the host.
- For receive mode commands 16-31 (decimal) that receive a data word, Simplified Mode Command Processing copies the received mode data word to Descriptor Word 4. The Message Information and Time-Tag words in Descriptor Words 2 and 3, and Descriptor Word 1 (bits 9, 11) are also updated.
- For most transmit mode codes 16-31 (decimal), the device reads the data word for transmission from each command’s Descriptor Word 4. Exceptions occur for MC18 “transmit last command” and for MC19 “transmit built-in test word”. The MC18 data word is automatically provided, based on the last command transacted. The MC19

HI-6130, HI-6131

data word for RT1 comes from register 0x1E or 0x1F, selected by the ALTBITW option in the RT1 Configuration Register (section 18.1). For RT2, the MC19 data word comes from register 0x27 or 0x28, selected by the ALTBITW option in the RT2 Configuration Register. For MC18 and MC19, the transmitted data value is automatically copied to the mode command's Descriptor Word 4 after message completion. The Message Information and Time-Tag words in Descriptor Words 2 and 3, and Descriptor Word 1 (bits 9, 11) are also updated.

Section “26. Appendix: Rt messages responses, options & exceptions” shows terminal response to all possible subaddress and mode code command combinations. The table summarizes terminal response for the full range of message conditions, including errors, incomplete messages, etc. The table explicitly describes terminal response and impact on terminal Status Word, Descriptor Control Words and data buffer Message Information Words. The table includes effects for all pertinent setup options and identifies all interrupt options available. Bold text blocks indicate error-free messages or “in form” Clear Status responses when the terminal is not using “illegal command detection”.

22. SERIAL EEPROM PROGRAMMING UTILITY

The HI-6130 or HI-6131 can program a serial EEPROM via the dedicated EEPROM SPI port for subsequent auto-initialization events. The device copies host-configured registers and RAM (configuration tables and possibly data buffers) to serial EEPROM.

Compatible SPI serial EEPROMs are 3.3V, operate in SPI modes 0 or 3 and have 128-byte pages. The serial SPI data is clocked at 8.3 MHz SCK frequency. A 2K x 8 EEPROM can restore the lower 1K x 16 device address space. A 64K x 8 EEPROM retains the entire 32K x 16 register/RAM address space. The external EEPROM must support as a minimum the instruction set outlined in Table 20 below.

Table 20. External EEPROM minimum instruction set.

Mnemonic	Holt SPI OPCODE	Function
WRITE	0x02	Write Data to Memory Array
READ	0x03	Read Data from Memory Array
RDSR	0x05	Read Status Register
WREN	0x06	Set Write Enable Latch

22.1. Writing the Auto-Initialization EEPROM

A deliberate series of events initiates copy of data from HI-6130 or HI-6131 registers and RAM to serial EEPROM. This reduces the likelihood of accidental EEPROM overwrites. **Note: The RT address must have correct (odd) parity before EEPROM read or write can occur.** The following series of events must occur to initiate programming:

1. Using a fresh host initialization immediately following \overline{MR} master reset as the basis for EEPROM copy

Until EEPROM reprogramming is complete, disconnect the terminal from MIL-STD-1553 buses, or take other measures to prevent bus activity detection by the device. **With the AUTOEN, TXINHA and TXINHB pins in logic 0 state**, apply \overline{MR} master reset and wait for READY output assertion. Verify that the \overline{IRQ} interrupt output does not pulse low at READY assertion, indicating likely RT address parity error at the RTA4:0 and RTAP pins. Using known good parameters, the host initializes device registers, the RAM descriptor table and transmit data buffers (if necessary).

- If auto-initialization will be used to configure the Bus Controller, the BCENA input pin should be logic 1. The corresponding BCENA bit 12 in Master Configuration Register 0x0000 should be logic 1, but BCSTRT register bit 13 must remain in the post-reset logic 0 state.
- If auto-initialization will be used to configure the Bus Monitor, the MTRUN input pin should be logic 1. The corresponding MTENA bit 8 in Master Configuration Register 0x0000 should be logic 0. Until EEPROM programming is complete, the terminal should be disconnected from MIL-STD-1553 buses (or other measures taken) to prevent bus activity detection by the monitor.
- If auto-initialization will be used to configure Remote Terminals RT1 and/or RT2, the RT1ENA and/or RT2ENA input pins should be logic 1. The corresponding RT1ENA and/or RT2ENA bits 6 and 7 in Master Configuration Register 0x0000 should be logic 1, but RT1STEX and RT2STEX register bits 4 and 5 must remain in the post-reset logic 0 state.

Skip to step 3.

2. Using the existing EEPROM configuration as the baseline for a new EEPROM configuration

Until EEPROM reprogramming is complete, disconnect the terminal from MIL-STD-1553 buses, or take other measures to prevent bus activity detection by the device. If the application includes the Bus Controller, the BCENA

HI-6130, HI-6131

input pin should be at logic 0. With the AUTOEN pin in logic 1 state and the TXINHA and TXINHB pins in logic 0 state, apply and release \overline{MR} master reset and wait for READY output assertion. Verify that the \overline{IRQ} output does not pulse low (or go and remain low) at READY assertion. Confirm that the EECKE and RAMIF bits are logic 0 in the “Master Status and Reset Register (0x0001)”. If register bits 4 or 5 (RT1STEX, RT2STEX) in Master Configuration Register 0x0000 were set by auto-initialization, reset them now. Modify register and RAM values to reflect the new changes.

- If the application includes the Bus Controller, the BCENA input pin should be set to logic 1 now. Do not assert BCSTRT bit 13 in Master Configuration Register 0x0000.

EEPROM programming is locked out at step 4 for the following conditions:

- ACTIVE output pin assertion occurs after \overline{MR} master reset.
 - RAMIF / EECKE assertion in “Master Status and Reset Register (0x0001)”.
 - RT1STEX bit 4, RT2STEX bit 5 or MTENA bit 8 is set in Master Configuration Reg 0x0000.
- The host writes a 2-part “unlock code” to RAM address 0x004E. The unlock code value selectively enables any combination of terminal devices (BC, MT, RT1, RT2) to automatically start execution, after subsequent auto-initialization sequences are performed. Programmed here, the same combination of terminal devices is simultaneously enabled after every initialization. Unlock words are encoded as shown in Table 21.

Warning: Do not write to registers during the EEPROM programming process.

Table 21. Terminal Unlock Word Encoding

Word 1	Word 2	Initialize RT1 ²	Initialize RT2 ³	Initialize MT ⁴	Initialize BC ⁵
0xA00A	0x5FF5	No auto init. ¹	No auto init.	No auto init.	No auto init.
0xA03A	0x5FC5	X			
0xA0CA	0x5F35		X		
0xA0FA	0x5F05	X	X		
0xA30A	0x5CF5			X	
0xA33A	0x5CC5	X		X	
0xA3CA	0x5C35		X	X	
0xA3FA	0x5C05	X	X	X	
0xAC0A	0x53F5				X
0xAC3A	0x53C5	X			X
0xACCA	0x5335		X		X
0xACFA	0x5305	X	X		X
0xAF0A	0x50F5			X	X
0xAF3A	0x50C5	X		X	X
0xAFCA	0x5035		X	X	X
0xAFFA	0x5005	X	X	X	X

Note 1: Default. No terminal devices (BC, MT, RT1, RT2) are started. The host must write Master Configuration Register 0x0000 to start terminals.

Note 2: The RT1ENA register bit 6 in register 0x0000 must be set before step 4. During auto-initialization events,

HI-6130, HI-6131

the RT1ENA and AUTOEN input pins must be logic 1 before rising edge of \overline{MR} master reset. After auto-initialization, RT1STEX bit 4 is automatically set in Master Configuration Register 0x0000, starting Remote Terminal RT1 execution.

Note 3: The RT2ENA register bit 7 in register 0x0000 must be set before step 4. During auto-initialization events, the RT2ENA and AUTOEN input pins must be logic 1 before rising edge of \overline{MR} master reset. After auto-initialization, RT2STEX bit 5 is automatically set in Master Configuration Register 0x0000, starting Remote Terminal RT2 execution.

Note 4: The MTENA register bit 8 in register 0x0000 must be set before step 4. During auto-initialization events, the MTRUN and AUTOEN input pins must be logic 1 before rising edge of \overline{MR} master reset. After auto-initialization, the SMT or IMT MTENA bit is automatically set in Master Configuration Register 0x0000, starting Bus Monitor execution.

Note 5: The BCENA register bit 12 in register 0x0000 must be set before step 4. During auto-initialization events, the BCENA and AUTOEN input pins must be logic 1 before rising edge of \overline{MR} master reset. After auto-initialization, BCSTRT bit 13 is automatically pulsed in Master Configuration Register 0x0000, starting Bus Controller execution.

The four terminals can be automatically started (or not started) in any combination. For example, exclusive-ORing both default unlock Words 1 and 2 with 0x0FF0 results in unlock Word 1 = 0xAFFA and Word 2 = 0x5005. This combination automatically and simultaneously enables execution for all four terminal devices: BC, MT, RT1 and RT2, at every subsequent auto-initialization from EEPROM. Individual soft resets for a single terminal device will automatically enable that device, if enabled here.

Note 6: There is no maximum time limit (timeout) for programming the EEPROM.

5. The EECOPY input pin is driven high for at least 1 ms, then driven low. In response, the READY output goes low while EEPROM memory is written. The unlock code at address 0x004E is cleared. Device register and RAM contents are written to the serial EEPROM, one byte at a time.

During programming, terminal checksums are tallied for the RT1, RT2 and SMT/IMT terminal devices, if used. An overall 32K checksum is also tallied. These checksums, stored in the EEPROM, are used for error detection later, during auto-initialization and soft reset events. There is no Bus Controller soft reset.

Checksum Type	EEPROM location corresponds to RAM Address
Overall Checksum	0x004E
RT1 Checksum	0x01C0
RT2 Checksum	0x01E0
SMT or IMT Checksum	0x005C

On the following pages, see the list of registers included in the stored overall and terminal checksums. When the READY output goes high, EEPROM copy is complete.

6. For terminal devices selected for auto-enable by step 4 unlock word selection, the RT1STEX, RT2STEX, MTENA and/or BCSTRT bits are set in the 2-byte EEPROM image corresponding to Master Configuration Register 0x0000. During subsequent auto-initialization events, these are the last bits written, just before READY assertion. Terminal devices having enable bits set to logic 1 in the EEPROM image are automatically and simultaneously enabled just before READY assertion. Terminal devices not automatically enabled (by step 4 unlock word selection) have logic 0 enable bits RT1STEX, RT2STEX, MTENA and/or BCSTRT in the 2-byte EEPROM image corresponding to Master Configuration Register 0x0000. After auto-initialization, these terminal devices remain in standby until enabled by host write to the Master Configuration Register 0x0000.

22.2. Overall 32K Word Checksum Used by Auto-Initialization

When auto-initialization is performed, the overall checksum (stored in EEPROM by the EECOPY process) is used for error checking. EECOPY stored this checksum value in the two 8-bit locations corresponding to RAM address 0x004E. This checksum covers the entire 32K word register and RAM address range from 0 to 0x7FFF, excluding the following register addresses. At auto-initialization, the following registers are not written using EEPROM data:

Table 22. Registers not included in checksum

Address	Excluded Register Name
0x0001	Master Status & Reset Register
0x0002	RT1 Current Command Register
0x0003	RT1 Current Control Word Address Register
0x0004	RT2 Current Command Register
0x0005	RT2 Current Control Word Address Register
0x0007	BC Pending Interrupt Register
0x0008	MT Pending Interrupt Register
0x0009	RT1 & RT2 Pending Interrupt Register
0x000A	Interrupt Count & Log Address Register
0x000B	Memory Address Pointer Register
0x000C	Memory Address Pointer Register
0x000D	Memory Address Pointer Register
0x000E	Memory Address Pointer Register
0x0018	RT1 Operational Status Register
0x001E	RT1 Built-In Test Word Register
0x0021	RT2 Operational Status Register
0x0027	RT2 Built-In Test Word Register
0x0030	MT Next Message Command Buffer Address Register
0x0031	MT Last Message Command Buffer Address Register
0x0035	BC Frame Time Remaining Register
0x0036	BC Time to Next Message Register
0x0037	BC General Purpose Flag Register
0x003A	MT Time Tag Counter Low Register
0x003B	MT Time Tag Counter Mid Register
0x003C	MT Time Tag Counter High Register
0x0043	BC Time Tag Counter Low Register
0x0044	BC Time Tag Counter High Register
0x0049	RT1 Time Tag Counter Register
0x004B	RT2 Time Tag Counter Register

The overall checksum includes individual terminal checksums for RT1, RT2 and Bus Monitor, which the EECOPY process stored at EEPROM locations corresponding to RAM addresses 0x01C0, 0x01E0 and 0x005C respectively. All checksums stored by the EECOPY process use two's complement format. Each checksum is calculated by summing the individual 16-bit data values (ignoring carry) over the full set of included register and RAM addresses. The summation is then complemented, then incremented (ignoring carry) to yield the stored two's complement checksum value.

HI-6130, HI-6131

When the device performs checksum-based error checking, a new summation is tallied (ignoring carry) for the individual 16-bit data values over the range of included register and RAM addresses. When this summation is added to the previously stored two's complement checksum, the result is zero when the new data summation is the same as that tallied by EECOPY when the checksum was stored.

The registers tallied in each of the RT1, RT2 and SMT or IMT terminal checksums are summarized on the next pages. These individual checksums are used for error checking during soft reset events. Soft reset occurs for RT1, RT2 or SMT / IMT when RT1RESET bit 10, RT2RESET bit 11 and/or MTRESET bit 12 is set in the Master Status and Reset Register 0x0001. One, two or three terminal reset bits can be individually or simultaneously set, without affecting other on-chip terminals or the Bus Controller. The HI-613x Bus Controller does not have soft reset.

23. RESET AND INITIALIZATION

This section describes the software reset mechanisms. Hardware Master Reset returns the device to the uninitialized state, requiring register and RAM initialization before terminal execution can begin. Hardware reset is initiated by assertion of the \overline{MR} Master Reset pin (200ns minimum assertion time). Software reset is individually or simultaneously asserted for the Bus Monitor, RT1 or RT2 by setting the corresponding bit(s) in the Master Status and Reset Register. The Bus Controller does not have software reset. If AUTOEN is enabled, both hardware and software reset copy initialization values from EEPROM into registers and RAM.

23.1. Hardware Master Reset and Optional Auto-Initialization

Hardware master reset is initiated by a low to high transition on the \overline{MR} pin; it should be applied after power-up, but may be used any time afterward. When asserted, the \overline{MR} input pin causes immediate unconditional hardware reset for all device terminals. Command processing is terminated and reset, the bus decoders and encoders are cleared, and all Time Tag counters are reset. All internal logic is cleared. Registers are restored to the power up reset states shown in Table 6. The READY, ACTIVE and IRQ output pins are negated if previously asserted. The READY pin remains low until the entire reset process is complete. During this interval, a host read cycle to any address returns the value of the “Master Status and Reset Register (0x0001)”.

After a low to high transition on the \overline{MR} pin, these events occur:

1. After 200ns, input states for the RT1A4-RT1A0, RT1AP and RT1LOCK pins are latched into the RT1 Operational Status Register 0x0018. Input states for the RT2A4-RT2A0, RT2AP and RT2LOCK pins are latched into the RT2 Operational Status Register 0x0021. The input state for the AUTOEN pin is latched into the “Master Status and Reset Register (0x0001)”.
2. At master reset, there are four pin-selected combinations for RAM self-test on/off and auto-initialize on/off. For the 4 combinations, hardware \overline{MR} rising edge to READY assertion times are summarized in the following table.

Table 23. READY delay times: from \overline{MR} input pin rising edge to READY output pin rising edge

Combinations	MTSTOFF Pin State	AUTOEN Pin State	READY Delay (µs)
No RAM test, No auto-initialize	1	0	164
Perform RAM test, No auto-initialize	0	0	1480
No RAM test, auto-initialize	1	1	63,100
Perform RAM test, auto-initialize	0	1	64,400

If memory error occurs, the BMTF bits are set in the RT1 BIT Word and RT2 BIT Word registers. If the MTSTOFF pin is logic 1, the RAM test is bypassed. This option might be chosen if a faster reset process is needed. Regardless of the MTSTOFF pin state, all RAM locations above address 0x004F are reset to 0x0000.

3. After internal processes are initialized, the device checks the state of the AUTOEN bit latched into the “Master Status and Reset Register (0x0001)” at step 1:

If the AUTOEN bit in the Master Status and Reset Register 0x0002 is logic 0, auto initialization from EEPROM is bypassed. After the RAM memory test is complete, the device asserts the READY output pin to indicate that the device is ready for host initialization of registers and RAM:

- The Master Configuration Register 0x0000 is initialized to indicate which terminal devices are enabled (BCENA, RT1ENA and RT2ENA). The corresponding input pins must already be logic 1, or these register bits cannot be set. If using Bus Monitor, the MTRUN input pin should be logic 1 but the corresponding MTENA register bit should remain logic 0 until initialization is completed. Likewise, the BCSTART, RT1STEX and RT2STEX bits remain low at this time.
- Other configuration registers are initialized by the host to define interrupt behavior and time tag counter behavior for enabled terminal devices.

- If using RT1 and/or RT2, the following registers are initialized: the RT Configuration Register(s), the RT Descriptor Table Base Address Register(s), the RT Bus A/B Select Register(s) and the RT Interrupt Enable Register. In RAM, the RT Illegalization Table(s) and RT Descriptor Table(s) are initialized. Initial data for assigned Transmit Subaddress Data Buffers may be initialized at this time.
- If using the Bus Controller, the BC Configuration, BC Instruction List Start Address and BC Interrupt Enable Registers are initialized. In RAM, the BC Instruction List and BC Message Control Blocks are initialized.
- If using a Simple Bus Monitor, the MT Configuration, SMT Address List Start Address and SMT Interrupt Enable registers are initialized. In RAM, the SMT Address List and SMT Filter Table are initialized.
- If using an IRIG-106 Bus Monitor (IMT), the following registers are initialized: the IMT Configuration register, the IMT Address List Start Address Register, the IMT Packet Max Message Count Register, the IMT Packet Max Word Count Register, the IMT Max Packet Time Register, the IMT Max Gap Time Register, the IMT Channel ID Register and the IMT Interrupt Enable Register. In RAM, the IMT Address List and IMT Filter Table are initialized.
- Upon completing all initialization for registers and RAM, the host writes the Master Configuration Register 0x0000 to start operation for the enabled terminal devices. A combination of BCSTART, RT1STEX, RT2STEX and/or MTENA register bits are asserted to match the subset of initialized terminal devices (BC, RT1, RT2 and MT). Device operation begins.

If the **AUTOEN** bit in the **Master Status and Reset Register 0x0002** is **logic 1**, auto initialization from EEPROM is performed after completion of the RAM memory test. The **READY** output pin remains at logic 0 during the self-initialization process. Initialization data is read from the previously-written external EEPROM and copied to the entire range of registers and RAM, from address 0x0000 to address 0x7FFF. This process typically requires 63 ms (see Table 23).

During auto initialization, the written value for each register or RAM location is read back for confirmation. If the value read fails to match the corresponding value in EEPROM, an initialization error is saved. This error results in action taken later when the initialization process is finished.

While performing initialization a running checksum is tallied. A properly-configured serial EEPROM contains a 16-bit checksum value stored at the EEPROM byte pair locations corresponding to RAM address 0x004E. The stored checksum is tallied as if RAM address 0x004E equals zero, and twenty-five register locations listed in Table 22 are also excluded from the stored checksum value. The stored value is actually the twos complement of the 16-bit memory checksum, ($\overline{\text{CHECKSUM}} + 1$). As each individual register and RAM location is initialized, its written value is added to a copy of the stored checksum value from EEPROM. If all locations match at the end, the running checksum tally added to the twos complemented EEPROM checksum should equal zero.

After initialization, when **READY** is asserted, the 16-bit twos complement checksum value is copied from EEPROM to device RAM address 0x004E.

If an initialization error occurred, the following events take place immediately after **READY** assertion:

- the $\overline{\text{IRQ}}$ interrupt output pin is asserted.
- The Master Status and Reset Register 0x0001 is written to indicate type of error. If checksum failure, the **EECKE** register bit is asserted. If data mismatch between EEPROM and read back RAM value, the **RAMIF** register bit is asserted.
- The **EELF** bit is asserted in the RT1 Built-In Test Word Register and in the RT2 Built-In Test Word Register.
- If **RAMIF** read back error occurred, the address of the first occurring instance is written to register address 0x0024. See Section “23.2. Memory Test Fail Address Register (0x0024)” on page 232 for further information. Additional locations beyond the saved address may have mismatch, but only the first instance is logged.

After copying the full range of register and RAM addresses, the **RT1STEX**, **RT2STEX** and **MTENA** bits in the Master Configuration Register 0x0000 are still zero. In the same register, the **BCSTART** bit always reads zero, but the **BCACTIVE** bit in the Master Status and Reset Register 0x0001 is still zero.

The EEPROM is written using methods described in Section 22.1. Each of the four terminal devices can independently be configured to self-start when error-free auto-initialization is complete, or not self-start, requiring a host write

to the Master Configuration Register after READY assertion. In the EEPROM byte pair corresponding to Master Configuration Register 0x0000:

- **If the EEPROM RT1STEX and RT1ENA bits are both logic 1**, and if the RT1ENA pin is also high, and if the RT1APF bit is logic 0 in the RT1 Operational Status Register, Remote Terminal 1 will automatically start just before READY assertion. Once RT1 is started, the Master Configuration Register RT1STEX bit will read logic 1. **If the EEPROM RT1STEX bit is logic 0**, the host must write the Master Configuration Register RT1STEX bit high after READY assertion to start Remote Terminal 1. The RT1ENA register bit and input pin must both be logic 1 before RT1STEX assertion.
- **If the EEPROM RT2STEX and RT2ENA bits are both logic 1**, and if the RT2ENA pin is also high, and if the RT2APF bit is logic 0 in the RT2 Operational Status Register, Remote Terminal 2 will automatically start just before READY assertion. Once RT2 is started, the Master Configuration Register RT2STEX bit will read logic 1. **If the EEPROM RT2STEX bit is logic 0**, the host must write the Master Configuration Register RT2STEX bit high after READY assertion to start Remote Terminal 2. The RT2ENA register bit and input pin must both be logic 1 before RT2STEX assertion.
- **If the EEPROM BCTRIG bit is logic 1**, and if the BCENA input pin is also high, the Bus Controller will automatically start just before READY assertion. Once the BC is started, the Master Configuration Register BCTRIG and BCSTART bits will continue to read logic zero, but the BCACTIVE bit in the Master Status and Reset Register 0x0001 will read logic 1. **If the EEPROM BCTRIG bit is logic 0**, the host must assert the Master Configuration Register BCSTART bit after READY assertion to start the Bus Controller. The BCENA input pin must be logic one before BCSTART assertion. The BCSTART register bit self-resets, but the BCACTIVE bit in the Master Status and Reset Register 0x0001 will read logic 1.
- **If the EEPROM MTENA bit is logic 1**, and if the MTRUN input pin is also high, the Bus Monitor will automatically start just before READY assertion. Once the Bus Monitor is started, the Master Configuration Register MTENA will read logic 1. **If the EEPROM MTENA bit is logic 0**, the host must write the Master Configuration Register MTENA bit high after READY assertion to start the Bus Monitor. The MTRUN input pin must be logic 1 before MTENA assertion.

Note that automatic-self-start for RT1 and RT2 requires the corresponding RTAPF status bit to be logic 0 in the RT Operational Status Register. **This indicates valid odd parity for the terminal address and parity bits latched in the RT Operational Status Register, not necessarily the state of the RT address and parity pins.** Because auto-initialization follows master reset, the mirrored pin states latched at reset is overwritten by EEPROM values if RTxLOCK input pin is logic 0.

- **When the RT1LOCK or RT2LOCK input pin is logic 1 at Master Reset rising edge**, the corresponding RT Operational Status Register terminal address and parity bits reflect address input pin states 200ns after reset rising edge.
- **When the RT1LOCK or RT2LOCK input pin is logic 0 at Master Reset rising edge**, the latched RT address, parity and RTxLOCK bit values are overwritten by values from the initialization EEPROM.

If automatic-self-start for RT1 or RT2 was blocked due to invalid odd parity for the terminal address and parity bits latched in the RT Operational Status Register, the RT1STEX or RT2STEX bit cannot be asserted in the Master Configuration Register until the parity error is corrected. The host may overwrite the RT1 or RT2 Operational Status Register to correct the parity error, then assert RT1STEX or RT2STEX in the Master Configuration Register.

If automatic-self-start for terminal devices was blocked due to RAMIF or EECKE auto-initialization errors, the host can override the error condition after READY assertion by setting the RT1STEX, RT2STEX, BCSTART and/or MTENA bits in the Master Configuration Register, providing the other operational conditions (in the 4-bullet list above) are met.

A method for programming the initialization EEPROM from a fully configured terminal is explained in Section 22. If a different method is used for writing the serial EEPROM, for successful self-initialization after Master Reset, the twos-complemented checksum (described earlier) must be saved in EEPROM locations corresponding to device RAM address 0x004E.

If a different method is used for writing the serial EEPROM, in order to perform soft resets, twos-complement checksum must be written for Remote Terminal 1 at 0x01C0, Remote Terminal 2 at 0x01E0 and the Monitor Terminal at 0x005C.

HI-6130, HI-6131

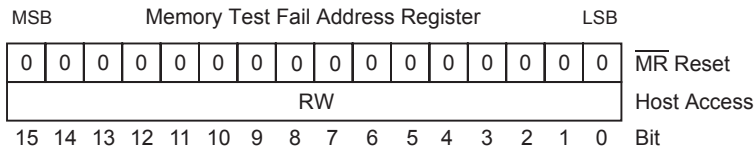
A compatible serial EEPROM uses a SPI interface for byte-access read and write operations. Sixteen-bit register and RAM values in the HI-613X are stored as upper and lower bytes in the EEPROM, in “big endian” fashion. For example, the upper byte for register address 0x0000 is stored at EEPROM address 0x0000 while the lower byte is stored at EEPROM address 0x0001. A 64K x 8 EEPROM is required to store the entire 32K x 16 address range.

Serial EEPROM data mapping follows the device memory map shown in Figure 2. The four exceptions:

1. the two EEPROM bytes corresponding to device RAM address 0x004E must contain the expected overall check-sum value and if software resets are expected
2. the two EEPROM bytes corresponding to device RAM address 0x01C0 must contain the expected terminal check-sum value for Remote Terminal 1
3. the two EEPROM bytes corresponding to device RAM address 0x01E0 must contain the expected terminal check-sum value for Remote Terminal 2
4. the two EEPROM bytes corresponding to device RAM address 0x005C must contain the expected terminal check-sum value for the Bus Monitor.

The serial EEPROM used for auto-initialization should be fully written to cover the HI-6130/31 upper address limit of 0x7FFF. Ideally the EEPROM image reflects a post-MR reset followed by fresh initialization by the host, with nothing written to reset-cleared registers or RAM as a result of command processing.

23.2. Memory Test Fail Address Register (0x0024)



If the AUTOEN input pin is logic 1, auto-initialization from EEPROM is enabled. When one or more initialized RAM locations do not match their two corresponding serial EEPROM byte locations, RAMIF bit 13 is set in the Hardware Pending Interrupt Register 0x0006, as well as RAMIF bit 0 in the Master Status and Reset Register 0x0001. Such failure may occur during auto initialization, or execution of a partial reset caused by assertion of the RT1RESET, RT2RESET or MTRESET bits in the Master Status and Reset Register, 0x0001. The address of the first occurring RAM/EEPROM mismatch is written to the Memory Test Fail Address Register, 0x0024. Additional locations beyond the saved address may have mismatch, but just the first instance is logged and the test stops.

Once terminal operation starts, register 0x0024 reverts to its normal function, the RT2 Current Message Info Word Register, if terminal RT2 is enabled.

23.3. Software Reset

23.3.1. Remote Terminal 1 (RT1)

This is initiated when RT1RESET bit 10 is set in the Master Status and Reset Register 0x0001. The following actions are performed.

Table 24. RT1 Soft Reset Summary

Action	Registers Affected
Clears these individual register bits	0x0000 Master Configuration Register, RT1STEX bit 4
	0x0006 Hardware Pending Int Register, RTIP bit 2
	0x0006 Hardware Pending Int Register, RT1APF bit 3
	0x0009 RT1 and RT2 Pending Int Register, RT1 int bits 8 – 3
Clears these entire register addresses	0x0018 RT1 Operational Status Register
	0x001A RT1 MIL-STD-1553 Status Word Bits Register
	0x001E RT1 Built-In Test Word Register
	0x0049 RT1 Time Tag Counter
Loads these registers from EEPROM <i>These 522 locations comprise the RT1 Terminal Checksum stored at 0x01C0 by EECOPY process</i>	0x000F Hardware Interrupt Enable Register
	0x0012 RT1 & RT2 Interrupt Enable Register (see note)
	0x0013 Hardware Interrupt Output Enable Register
	0x0016 RT1 & RT2 Interrupt Output Enable Register (see note)
	0x0017 RT1 Configuration Register
	0x0019 RT1 Descriptor Table Base Address Register
	0x001C RT1 Bus A Select Register
	0x001D RT1 Bus B Select Register
	0x001F RT1 Alternate BIT Word Register
	0x004A RT1 Time Tag Utility Register
	0x0200 through 0x02FF: RT1 Illegalization Table
	0x0400 through 0x05FF: RT1 Descriptor Table

Note: This register reload potentially affects both RTs.

RT1 automatically starts (RT1STEX is set in register 0x0000) after soft reset completion, if these requirements are met:

- The RT1ENA pin is logic 1 during the soft reset event
- The RT1ENA pin and RT1ENA bit 6 were both logic 1 in the Master Configuration Register when EECOPY created the EEPROM image.
- The RT1STEX bit 4 is logic 1 in the EEPROM Master Configuration Register image because the EECOPY unlock codes during programming were Unlock Word 1 = 1010-XXXX-XX11-1010 and Unlock Word 2 = 0101-XXXX-XX00-0101 where X denotes “don’t care”.

To manually start RT1 after soft reset completion (indicated by READY signal assertion), the host must set RT1STEX bit 4 in register 0x0000, if RT1 auto-start was disabled or otherwise failed for one or more of these reasons:

- The RT1ENA pin was logic 0 during the soft reset event.
- The RT1ENA pin was logic 0 and/or RT1ENA bit 6 was logic 0 in the Master Configuration Register when

HI-6130, HI-6131

EECOPYY created the EEPROM image. A new EEPROM image is needed to allow auto-start after RT1 soft reset.

- The RT1STEX bit 4 is logic 0 in the EEPROM Master Configuration Register image because the unlock codes used by EECOPYY were wrong. A new EEPROM image is needed to allow auto-start after RT1 soft reset.

23.3.2. Remote Terminal 2 (RT2)

This is initiated when RT2RESET bit 11 is set in the Master Status and Reset Register 0x0001. The following actions are performed.

Table 25. RT2 Soft Reset Summary

Action	Registers Affected
Clears these individual register bits	0x0000 Master Configuration Register, RT2STEX bit 3
	0x0006 Hardware Pending Int Register, RTIP bit 2
	0x0006 Hardware Pending Int Register, RT2APF bit 4
	0x0009 RT1 and RT2 Pending Int Register, RT2 int bits 15 – 10
Clears these entire register addresses	0x0021 RT2 Operational Status Register
	0x0023 RT2 MIL-STD-1553 Status Word Bits Register
	0x0027 RT2 Built-In Test Word Register
	0x004B RT2 Time Tag Counter
Loads these registers from EEPROM <i>These 522 locations comprise the RT2 Terminal Checksum stored at 0x01E0 by EECOPYY process</i>	0x000F Hardware Interrupt Enable Register
	0x0012 RT1 & RT2 Interrupt Enable Register (see note)
	0x0013 Hardware Interrupt Output Enable Register
	0x0016 RT1 & RT2 Interrupt Output Enable Register (see note)
	0x0020 RT2 Configuration Register
	0x0022 RT2 Descriptor Table Base Address Register
	0x0025 RT2 Bus A Select Register
	0x0026 RT2 Bus B Select Register
	0x0028 RT2 Alternate BIT Word Register
	0x004C RT2 Time Tag Utility Register
	0x0300 through 0x03FF: RT2 Illegalization Table
	0x0600 through 0x07FF: RT2 Descriptor Table

Note: This register reload potentially affects both RTs.

RT2 automatically starts (RT2STEX is set in register 0x0000) after soft reset completion, if these requirements are met:

- The RT2ENA pin is logic 1 during the soft reset event
- The RT2ENA pin and RT2ENA bit 7 were both logic 1 in the Master Configuration Register when EECOPYY created the EEPROM image.
- The RT2STEX bit 5 is logic 1 in the EEPROM Master Configuration Register image because the EECOPYY unlock codes during programming were Unlock Word 1 = 1010-XXXX-11XX-1010 and Unlock Word 2 = 0101-XXXX-00XX-0101 where X denotes “don’t care”.

To manually start RT2 after soft reset completion (indicated by READY signal assertion), the host must set RT2STEX bit 5 in register 0x0000, if RT1 auto-start was disabled or otherwise failed for one or more of these reasons:

HI-6130, HI-6131

- The RT2ENA pin was logic 0 during the soft reset event
- The RT2ENA pin was logic 0 and/or RT2ENA bit 7 was logic 0 in the Master Configuration Register when EECOPY created the EEPROM image. A new EEPROM image is needed to allow auto-start after RT2 soft reset.
- The RT2STEX bit 5 is logic 0 in the EEPROM Master Configuration Register image because the unlock codes used by EECOPY were wrong. A new EEPROM image is needed to allow auto-start after RT2 soft reset.

23.3.3. Bus Monitor SMT / IMT

This is initiated when MTRESET bit 12 is set in the Master Status and Reset Register 0x0001. The following actions are performed.

Table 26. SMT / IMT Soft Reset Summary

Action	Registers Affected
Clears these individual register bits	0x0000 Master Configuration Register, MTENA bit 8
	0x0006 Hardware Pending Int Register, MTIP bit 1
Clears these entire register addresses	0x0008 MT Pending Interrupt Register
	0x0030 MT Next Message Buffer Address Pointer
	0x0031 MT Last Message Buffer Address Pointer
	0x003A MT Time Tag Counter, Low
	0x003B MT Time Tag Counter, Mid
	0x003C MT Time Tag Counter, High
Loads these registers from EEPROM <i>These 561 locations comprise the MT Terminal Checksum stored at 0x005C by EECOPY process</i>	0x000F Hardware Interrupt Enable Register
	0x0011 MT Interrupt Enable Register
	0x0013 Hardware Interrupt Output Enable Register
	0x0015 MT Interrupt Output Enable Register
	0x0029 MT Configuration Register
	0x002A IMT Packet Maximum Message Count Register
	0x002B IMT Packet Maximum MIL-STD-1553 Word Count Register
	0x002C IMT Packet Maximum Time Register
	0x002D IMT Packet Maximum Gap Time Register
	0x002E IMT Packet Channel ID Register
	0x002F MT Buffer Address Table Start Address Register
	0x003D MT Time Tag Utility Register, Low
	0x003E MT Time Tag Utility Register, Mid
	0x003F MT Time Tag Utility Register, High
	0x0040 MT Time Tag Match Register, Low
	0x0041 MT Time Tag Match Register, Mid
	0x0042 MT Time Tag Match Register, High
	0x00B0 through 0x00BF: MT Buffer Address Table(s)
	0x0100 through 0x017F: MT Message Filter Table

Note: Soft reset for the Bus Monitor re-initializes the buffer address pointers, but does not clear the allocated buffer space in the buffer(s).

The Bus Monitor automatically starts (MTENA bit 8 is set in register 0x0000) after soft reset completion, if the following requirements are met. Message recording commences when a new valid command is received:

HI-6130, HI-6131

- The MTRUN pin is logic 1 during the soft reset event
- The MTENA bit 8 was logic 1 in the Master Configuration Register when EECOPY created the EEPROM image.
- The MTENA bit 8 is logic 1 in the EEPROM Master Configuration Register image because EECOPY used these unlock codes during EEPROM programming: Unlock Word 1 = 1010-XX11-XXXX-1010 and Unlock Word 2 = 0101-XX00-XXXX-0101 where X denotes “don’t care”.

To manually start the Bus Monitor after soft reset completion (indicated by READY signal assertion), the host must set MTENA bit 8 in register 0x0000, if auto-start was disabled or otherwise failed for one or more of these reasons:

- The MTRUN pin was logic 0 during the soft reset event
- The MTENA bit 8 was logic 0 in the Master Configuration Register when EECOPY created the EEPROM image. A new EEPROM image is needed to allow auto-start after MT soft reset.
- The MTENA bit 8 is logic 0 in the EEPROM Master Configuration Register image because the unlock codes used by EECOPY were wrong. A new EEPROM image is needed to allow auto-start after Bus Monitor soft reset.

23.4. MIL-STD-1760: Busy Status Assertion After Power-Up

A MIL-STD-1760 RT must be able to respond on the bus within 150ms following power turn-on. Between power-on and 150ms, it is acceptable for the RT to respond with the “Busy” bit set in the RT Status Word (see Section 18.6 on page 158). This indicates the RT is awake but not ready to transfer data. Alternatively, the RT may respond Clear Status with valid data.

The HI-613x RT can be set up for Busy status two ways: (1) global Busy response to all valid commands, or (2) Busy response for selected subaddresses. For transmit commands (RT transmits data), transmission of data is suppressed when Busy status applies; only the busy Status Word is sent in response to valid commands.

To globally respond Busy status for all valid commands, the host sets Busy status bit 3 in the RT Status Word Bits Register (see Section 18.6 on page 158). To enable Busy response only for selected transmit or receive subaddresses, the host sets the MKBUSY bit 12 in the transmit or receive subaddress Control Word found in the RT Descriptor Table (see “Descriptor Table” on page 176).

After power-on reset, the host can initialize the HI-613x by writing register and RAM under program control. Or, if the AUTOEN pin is high, the device performs auto-initialization from pre-programmed serial EEPROM. The EEPROM can be written to configure the RT for global Busy status (or subaddress-specific Busy status). When the AUTOEN pin is high, auto-initialization from EEPROM occurs after completion of a RAM memory test. Initialization data is read from the previously-written external EEPROM and copied into the entire register and RAM address range, 0x0000 to 0x7FFF. Starting at reset rising edge, RAM memory test requires 1.5ms; the following auto-initialization needs 63.1ms.

MIL-STD-1760 RTs must be able to respond BUSY status within 150ms following power-on. Using RAM test and auto-initialization totaling 64.6ms, the 150ms timing is achieved if the applied reset pulse is sufficiently brief.

Within 500ms following power turn-on, the MIL-STD-1760 RT must respond with data as defined by the MIL-STD-1760 standard, with “Busy” status bit reset. The RT host processor must be fully operational at this time. After system initialization is complete, the host can deactivate global Busy status by clearing Busy bit 3 in the RT Status Word Bits Register. If individual subaddresses were busied-out, the MKBUSY bit is reset in affected subaddress Control Words in the Descriptor Table.

HI-6130, HI-6131

other times. Register bits 13:11 select RAM test type. Then bit 10 assertion starts the selected RAM test, and bits 9-8 report a pass/fail result after test completion. All tests are destructive, overwriting data present before test commencement.

NOTE: 'Reset' refers to bit value following either Master Reset (\overline{MR}) or software reset.

Bit No.	Mnemonic	R/W	Reset	Function		
15	FRAMA	R/W	0	Full RAM Access Enable. During normal operation, some bits in certain RAM locations (e.g., Descriptor Table Control Words) cannot be written by the host. When the FRAMA bit is asserted, host writes to RAM are unrestricted to permit full testing. During normal completion, this bit must be reset to logic 0.		
14	RBFFAIL	R/W	0	RAM BIST Force Failure. When this bit is asserted, RAM test failure is forced to verify that RAM BIST logic is functional.		
13,12,11	RBSEL2:0	R/W	0	RAM BIST Select Bits 2-0. This 3-bit field selects the RAM BIST test mode applied when the RBSTART bit is set:		
				RBSEL2:0	Selected RAM Test	Test Time
				000	Idle	-
				001	Pattern Test, described below	14.42ms
				010	Write 0x0000 to RAM address range 0x0000 - 0x7FFF	170µs
				011	Read and verify 0x0000 over RAM address range 0x0000 - 0x7FFF	500µs
				100	Write 0xFFFF to RAM address range 0x0000 - 0x7FFF	170µs
				101	Read and verify 0xFFFF over RAM address range 0x0000 - 0x7FFF	500µs
				110	Inc / Dec Test performs only steps 5 - 8 of the Pattern Test below	1.32ms
				111	Idle	-

HI-6130, HI-6131

Bit No.	Mnemonic	R/W	Reset	Function
13,12,11	RBSEL2:0 (continued)	R/W	0	<p>Description of the RAM BIST “PATTERN” test selected when register bits RBSEL2:0 = 001:</p> <p><i>Note: Test read /write accesses to addresses 0x0000 - 0x0050 involve 81 RAM locations not accessible to the host. These accesses do not affect the host-accessible registers, overlaying the same address range.</i></p> <ol style="list-style-type: none"> 1. Write 0x0000 to all RAM locations, 0x0000 through 0x7FFF. 2. Repeat the following sequence for each RAM location from 0x00000 through 0x7FFF: <ol style="list-style-type: none"> a. Read and verify 0x0000 b. Write then read and verify 0x5555 c. Write then read and verify 0xAAAA d. Write then read and verify 0x3333 e. Write then read and verify 0xCCCC f. Write then read and verify 0x0F0F g. Write then read and verify 0xF0F0 h. Write then read and verify 0x00FF i. Write then read and verify 0xFF00 j. Write 0x0000 then increment RAM address and go to step (a) 3. Write 0xFFFF to all RAM locations, 0x0000 through 0x7FFF 4. Repeat the following sequence for each RAM location from 0x00000 through 0x7FFF: <ol style="list-style-type: none"> a. Read and verify 0xFFFF b. Write then read and verify 0x5555 c. Write then read and verify 0xAAAA d. Write then read and verify 0x3333 e. Write then read and verify 0xCCCC f. Write then read and verify 0x0F0F g. Write then read and verify 0xF0F0 h. Write then read and verify 0x00FF i. Write then read and verify 0xFF00 j. Write 0xFFFF then increment RAM address and go to step (a) 5. Write each cell's memory address into each RAM location from 0x0000 to 0x7FFF. 6. Read each memory location from 0x0000 to 0x7FFF and verify it contains its address. 7. Write 1s complement of each cell's memory address, into each RAM location (same addr range). 8. Read each memory location and verify it contains the 1s complement of its address.
10	RBSTRT	R/W	0	<p>RAM BIST Start.</p> <p>Writing logic 1 to this bit initiates the RAM BIST test selected by register bits RBSEL2:0. The RBSTRT bit can only be set if the TEST input pin is high and if register bit 15 is already asserted. This bit is automatically cleared upon test completion. Register bits 9:8 indicate pass / fail test result. If using HI-6131, you must reload MAP register with 0x28 before each register read that polls result bits 9:8.</p>

HI-6130, HI-6131

Bit No.	Mnemonic	R/W	Reset	Function
9	RBPASS	R	0	RAM BIST Pass. Device logic asserts this bit when the selected RAM test completes without error. This bit is automatically cleared when RBSTRT bit 10 is set.
8	RBFAIL	R	0	RAM BIST Fail. Device logic asserts this bit when failure occurs while performing the selected RAM test. This bit is automatically cleared when RBSTRT bit 10 is set. When BIST failure occurs, a clue to the failing RAM address can be read at register address 0x001B. For speed, the RAM BIST concurrently tests 4 quadrants of the RAM address range, in parallel. If test failure occurs, register address 0x001B contains the RAM address being tested in the lowest RAM quadrant. Actual failure has occurred in any of these four locations: at RAM address "ADDR" stored in register 0x001B, or ADDR+0x2000, or ADDR+0x4000 or ADDR+0x6000. When the TEST input pin is logic 0, register address 0x001B function reverts to the read-only RT1 Current Message Information Word Register described in Section 18.7 on page 160.
7,6	----	R	0	Not Used. These bits cannot be set. A READ will return 0-0.
5	LBALOG	R/W	0	Loopback Test Analog. The device supports either digital or analog loopback testing for either bus transceiver. When the LBALOG bit is low, digital loopback is selected and no data is transmitted onto the selected external MIL-STD-1553 bus. When the LBALOG bit is high, analog loopback is selected and a test word is transmitted onto and received from the selected external MIL-STD-1553 bus.
4	LBSYNC	R/W	0	Loopback Test Word Sync Select. When the LBSYNC bit is high, the loopback test word is transmitted with command sync. When the LBSYNC bit is low, the loopback test word is transmitted with data sync.
3	LBBUSEL	R/W	0	Loopback Test Bus Select. When this bit is low, loopback testing occurs on Bus A. When this bit is high, loopback testing occurs on Bus B.
2	LBSTART	R/W	0	Loopback Test Start. Writing logic 1 to this bit initiates the loopback test selected by register bits 3, 4 and 5. The LBSTRT bit can only be set if the external TEST pin is already asserted, and is automatically cleared upon test completion. Register bits 1,0 indicate pass / fail test result.
1	LBPASS	R	0	Loopback Test Pass. Device logic asserts this bit when the selected loopback test completes without error. This bit is automatically cleared when LBSTART bit 2 is set.
0	LBFAIL	R	0	Loopback Test Fail. Device logic asserts this bit when failure occurs while performing the selected loopback test. Failure is comprised of Manchester encoding error, parity error, wrong sync type or data mismatch. This bit is automatically cleared when LBSTART bit 2 is set.

page 237) is set if the test passed, otherwise bit 8 is set if the test failed. If failure occurs, the first failed RAM address is written to the RAM Self-Test Fail Address Register. (This is actually an offset value within a memory quadrant; see the Self-Test Control Register bit 8 description.) Memory test fail also asserts the BTMF (BIST Memory Test Fail) bit 3 in both RT1 and RT2 BIT Word Registers, at addresses 0x001E and 0x0027 respectively.

At test completion, the host should clear the Self-Test Control Register 0x0028, and then reset the TEST input pin to logic 0.

24.2.5. Host-Directed RAM Self-Test

Host-directed RAM self-test overwrites preexisting RAM contents and should only be performed when complete re-configuration of the RAM address space will occur after RAM test completion. If the device is operational, terminal execution should be stopped. If asserted, reset bits 4-8 and bit 12 in “9.1. Master Configuration Register (0x0000)”, stopping BC, MT, and RT1-2. Or, reset the BCENA, RT1ENA, RT2ENA and MTRUN input pins, if asserted. Assert the TEST pin to activate register 0x0028 as the Self-Test Control Register.

After asserting the TEST input pin, RAM self-test is configured and started by writing bits 15:10 in the Self-Test Control Register, described on page 237. Register bits 13:11 select one of the five test protocols. Register bit 15 is usually set to provide unrestricted RAM read/write access. Register bit 10 is then asserted to start the RAM test selected by bits 13:11. All of these bits may be written simultaneously, and bits 7:0 should be written as zeros. Test time varies based on complexity; test times are shown in the Self-Test Control Register description.

Upon RAM test completion, Self-Test Control Register bit 9 is set if the RAM test was successful, otherwise bit 8 is set if the test failed. If failure occurs, the first failed RAM address is written to the RAM Self-Test Fail Address Register 0x001B. The written value is actually an offset value within a memory quadrant; see “Self-Test Control Register (0x0028)”, bit 8. Memory test fail also asserts the BTMF (BIST Memory Test Fail) bit 3 in both RT1 and RT2 BIT Word Registers, at addresses 0x001E and 0x0027 respectively. .

At RAM test completion, the host should clear the Self-Test Control Register 0x0028, reset the TEST input pin to logic 0, then re-initialize registers and RAM, and finally restart terminal execution.

24.2.6. Host-Directed RT-Mode Loopback Testing (On-Line Analog or Off-Line Digital)

RT mode loopback testing involves transmission and reception of a single Manchester-encoded word with correct parity. On-line Analog Loopback transmits the specified test word onto the external MIL-STD-1553 bus. The internal receiver for the same bus is totally independent from the encoder logic used for bus transmission. The bus receiver detects and decodes the received replica of the transceiver’s own transmission. Off-line Digital Loopback does not disturb the selected MIL-STD-1553 bus; the digital signal paths used for encoding and transmission (as well as reception and decoding) are fully tested without involving the external MIL-STD-1553 bus; only the analog bus driver and analog receiver are bypassed for digital loopback tests. The HI-613x cannot be configured for loopback transmitting on one bus and receiving on the other bus.

RT mode loopback testing requires one or both RTs to be enabled. If RT1 is not already running, assert the RT1ENA pin and set the RT1ENA bit in “9.1. Master Configuration Register (0x0000)”. Then set the RT1STEX bit in register 0x0000. RT2 can similarly be enabled, if desired. Then initiate test mode by asserting the TEST input pin to logic 1.

NOTE: For analog or digital loopback a valid RT address with odd parity must be present and the TXINHA / TXINHB pins must be low.

Write a 16-bit transmit value to the Loopback Test Transmit Data Register 0x001F. With the TEST input set to logic 1, the host can write bits 5:3 in the Self-Test Control Register 0x0028 to select analog or digital loopback, command sync or data sync, and select test Bus A or Bus B. Then, without modifying bits 5:3, write the Self-Test Control Register again to set bit 2, starting loopback test. Note: Self-Test Control Register bits 5:2 can be written simultaneously; the remaining register bits 15:6 and 1:0 should all be written as zeros.

After 50µs or so, RT loopback transmission is complete. Self-Test Control Register bit 1 is set for successful loopback test, otherwise bit 0 is set if loopback failed. The received word has been written into the Loopback Test Receive Data

Register 0x0002. It should match the value in the Loopback Test Transmit Data Register 0x001F. Test failure also asserts either the LBFA (Loopback Fail A) bit 5 or LBFB (Loopback Fail B) bit 4 in the RT Built-In Test Word Registers, 0x001E and 0x0027.

At RT loopback test completion, the host should clear Self-Test Control Register 0x0028, and then reset the TEST input pin to logic 0.

24.2.7. Programmed BC-Mode Digital Loopback Testing (Off-Line)

For any BC message block, off-line digital loopback self-test can be programmed. The TEST input pin should be logic 0, normal operational state. BC transmission onto the 1553 bus is inhibited for the message, but the digital transmit encoding and receive decoding signal paths can be checked.

The BC Instruction List in RAM comprises a series of 2-word entries, an instruction Op Code Word followed by a Parameter Word. While sequencing through the Instruction List, the BC control logic fetches and executes conditional and unconditional instruction op codes referenced by the BC Instruction List Pointer 0x0034. For executable messages, the Parameter Word following the Op Code Word contains the starting address of a Message Control/Status Block.

As described in Section “10.4. Bus Controller Message Control / Status Blocks” on page 70, each Message Control/Status Block begins with a BC Control Word. When Control Word SELFTST bit 6 is set, off-line self-test is enabled, inhibiting transmission onto the 1553 bus. Instead the output of the bus Manchester II serial encoder is routed directly to the decoder input for the bus selected by Control Word bit 7 (USEBUSA). A validity check is performed on the received replica of each transmitted word (sync, encoding, bit count and parity). As received, each word replica is stored in the Loopback Word location in the Message Control/Status Block. The data value for the final word received is also checked with the transmitted final word. If any word fails validity check (or if the final word has data mismatch) test logic sets the LBE (loopback error) bit 8 in the Block Status Word.

After message processing, off-line self-test success or failure can be determined by reading the received Loopback Word (stored in the Message Control/Status Block if BC is using 16-bit time base) or by reading the LBE (loopback error) bit 8 in the Block Status Word. (Note: If the BC is using 32-bit time base, the final received loopback word in the Loopback Word location is overwritten at the end of message post-processing when time tag bits 31:16 are written there.)

The “BADMSG” BC condition code 0xC is updated based on the outcome of the off-line SELFTST loopback message. BADMSG is set to logic 1 for Loopback Test error. This permits conditional execution, including jumps or subroutine calls, based on the outcome of the message having SELFTST asserted in its Control Word.

The BADMSG condition code is also set for Format Error or No Response error, but is not affected by a Status Set condition. For non-broadcast commands using off-line SELFTST loopback, No Response error always occurs since the BC message processor expects an RT response. Since BC bus transmission is inhibited, off-line SELFTST loopback should use broadcast commands. This avoids BADMSG condition codes caused by No Response error.

24.2.8. Continuous BC-Mode Analog Loopback Testing (On-Line)

The BC performs continuous analog loopback on all Bus Controller transmissions when executing normal Message Control/Status Blocks having off-line SELFTST bit = 0 in each Control Word. The TEST input pin is logic 0, normal operational state. For each Manchester II word transmitted by the BC, a validity check is performed on the received replica, checking sync, encoding, bit count and parity. In the Message Control/Status Block, each received word replica is stored in the Loopback Word location when decoded, overwriting the previous word stored there. The data value for the final BC word received is also checked for data value. If any word fails validity check (or if the final word has data mismatch) test logic sets the LBE (loopback error) bit 8 in the Block Status Word. (Note: If the BC is using 32-bit time base, the final word replica in the Loopback Word location is overwritten at the end of message post-processing when time tag bits 31:16 are written there.)

The "BADMSG" BC condition code 0xC is updated based on the outcome of continuous BC-mode analog loopback checking. The BADMSG condition code is set for Loopback Error, Format Error or No Response error, but is not affected by a Status Set condition. BC analog loopback failure also sets LBE loopback error bit 8 in the Block Status Word.

25. HOST INTERFACE

25.1. HI-6130 Host Bus Interface

The HI-6130 uses a parallel bus interface for communications with the host. Host interface to registers and RAM is enabled through the Chip Enable (\overline{CE}) pin, and accessed via 16-bit data bus and several host-originated control signals described below. Timing is identical for register operations and RAM operations via the host bus interface, but read and write operations have different signal timing. The HI-6130 parallel host bus interface is capable of faster communication than the HI-6131 Serial Peripheral Interface.

Depending on the chosen microprocessor family, the processor's hardware bus interface may be described as an "external bus interface," "memory interface" or may have a different name. The user can also implement a software controlled "bit-banged" interface to the HI-6130, at the cost of substantially slower RAM and register read/write times.

The bus interface is compatible with the two prevalent bus control signal methods: "Intel style" interface, characterized by separate strobes for read and write operations (\overline{OE} and \overline{WE}), and "Motorola style" interface, characterized by a single read/write strobe (\overline{STR}) and a data direction signal (R/\overline{W}). Bus control style is selected using the BTYPE configuration pin, which sets the function of two other input pins to serve as either \overline{OE} and \overline{WE} , or \overline{STR} and R/\overline{W} .

The BWID configuration pin selects either 8- or 16-bit bus widths. When the BWID pin is connected to ground, 8-bit mode is selected; two bytes are sequentially transferred for each 16-bit word operation. The BENDI and A0 pins are used in conjunction with each other to define the byte order. When the BWID pin is connected high or left unconnected, 16-bit bus width is used and data is transacted on bus data pins D15:0. For 16-bit bus operation, the A0 pin is "Don't Care" and byte order is defined by the BENDI pin. The interoperability of BWID, BENDI and A0 pins is summarized in Table 3.

25.1.1. Bus Wait States and Data Prefetch

The HI-6130 has a WAIT output pin that tells the host to add wait states when additional access time is needed during bus read cycles. For compatibility with different host processors, the state of the WPOL input pin sets the WAIT output as active high or active low. The WAIT output can be ignored when the host processor read cycle time is always slow enough to work with the HI-6130 bus. When using fast host processors, cycle time is sometimes slowed down by configuring the processor to add one or more wait states during every read or write cycle, but slow-down affects all cycles, even when unnecessary.

Data prefetch is a technique used by the HI-6130 to speed up host multi-word read access to registers or RAM by eliminating wait states. Prefetching occurs when HI-6130 logic requests data before it is actually needed. Because register or RAM locations are often read sequentially, performance improves when data is prefetched in address sequence order. For every host read cycle, the device first reads the addressed location, then prefetches the following address, to speed up access in the likely event that the following word will be read next.

For the HI-6130, WAIT is always asserted for the first word fetched in any read sequence. The first read cycle has a long access time because there is no prefetch. This may be the first byte read in 8-bit mode, or the first word read in 16-bit mode. After each word (or byte) is fetched for a read operation, the next word (or byte) is prefetched to speed-up the read cycle time when sequential address read sequences occur. After the first word read, the following words read in sequence are accessed without WAIT, resulting in faster overall multi-word read timing. As long as bytes or words are read in address order, additional wait states are unnecessary.

Data prefetch during read cycles is blocked when the next RAM address is a Control Word in the Descriptor Table. The table base address (set by the value in register 0x0005) and every fourth word thereafter is a Control Word. This consists of table addresses having these address offsets from the table start address of 0, 4, 8, 0xC... 0x1F8 and 0x1FC. If allowed, prefetch (like any other read) would reset the Control Word DBAC status bit, so prefetch is disallowed in this range. Thus for HI-6130, **multi-word sequential read sequences will assert WAIT every fourth word when reading RAM within the 512-word Descriptor Table address range.**

HI-6130, HI-6131

For fastest read access under all conditions, the user can set host processor bus timing (by adjusting processor wait states for the chip select assigned to the HI-6130) to match the faster read cycle time for prefetched data, while the HI-6130 WAIT output adds one or more additional wait states for the slower initial read cycle.

Timing diagrams for bus read and write operations are shown in Section 27. Separate diagrams show “Intel style” and “Motorola style” control interfaces.

25.2. HI-6131 Serial Peripheral Interface

In the HI-6131, internal RAM and registers occupy a 32K x 16 address space. The lowest 80 addresses access registers and the remaining addresses access RAM locations. Timing is identical for register operations and RAM operations via the serial interface, and read and write operations have likewise identical timing.

25.2.1. Serial Peripheral Interface (SPI) Basics

The HI-6131 uses an SPI synchronous serial interface for host access to registers and RAM. Host serial communication is enabled through the Chip Enable (CE) pin, and is accessed via a three-wire interface consisting of Serial Data Input (SI) from the host, Serial Data Output (SO) to the host and Serial Clock (SCK). All programming cycles are completely self-timed, and no erase cycle is required before write.

The SPI (Serial Peripheral Interface) protocol specifies master and slave operation; the HI-6131 operates as an SPI slave.

The SPI protocol defines two parameters, CPOL (clock polarity) and CPHA (clock phase). The possible CPOL-CPHA combinations define four possible “SPI Modes.” Without describing details of the SPI modes, the HI-6131 operates in the two modes where input data for each device (master and slave) is clocked on the rising edge of SCK, and output data for each device changes on the falling edge. These are known as SPI Mode 0 (CPHA = 0, CPOL = 0) and SPI Mode 3 (CPHA = 1, CPOL = 1). Be sure to set the host SPI logic for one of these modes.

The difference between SPI Modes 0 and 3 is the idle state for the SCK signal, which is logic 0 for Mode 0 state and logic 1 for Mode 3 state (see Figure 26). There is no configuration setting in the HI-6131 to select SPI Mode 0 or Mode 3 because compatibility is automatic. Beyond this point, the HI-6131 data sheet only shows the SPI Mode 0 SCK signal in timing diagrams.

The SPI protocol transfers serial data as 8-bit bytes. Once CE chip enable is asserted, the next 8 rising edges on SCK latch input data into the master and slave devices, starting with each byte’s most-significant bit. The HI-6131 SPI can be clocked at 20 MHz.

HI-6130, HI-6131

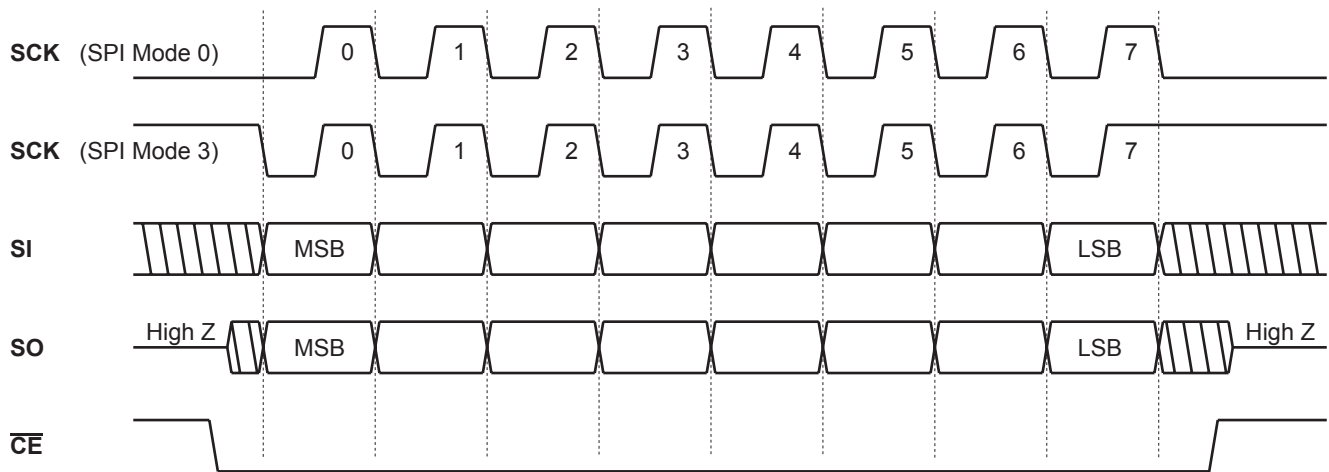


Figure 26. Generalized Single-Byte Transfer Using SPI Protocol.
SCK is Shown for SPI Modes 0 and 3

Multiple bytes may be transferred when the host holds CE low after the first byte transferred, and continues to clock SCK in multiples of 8 clocks. A rising edge on CE chip enable terminates the serial transfer and reinitializes the HI-6131 SPI for the next transfer. If CE goes high before a full byte is clocked by SCK, the incomplete byte clocked into the device SI pin is discarded.

Two byte transfers are needed for SPI exchange of 16-bit register values or RAM data. See Bendi pin description in Section “3. Pin Descriptions” for details on setting byte order and “endianness”.

In the general case, both master and slave simultaneously send and receive serial data (full duplex) per Figure 26. However the HI-6131 operates half duplex, maintaining high impedance on the SO output, except when actually transmitting serial data. When the HI-6131 is sending data on SO during read operations, activity on its SI input is ignored. Figure 27 and Figure 28 show actual behavior for the HI-6131 SO output.

25.2.2. HI-6131 SPI Commands

For the HI-6131, each SPI read or write operation begins with an 8-bit command byte transferred from the host to the device after assertion of CE. Since HI-6131 command byte reception is half-duplex, the host discards the dummy byte it receives while serially transmitting the command byte.

The HI-6131 SPI command set uses the most significant command bit to specify whether the command is Read or Write. The command byte MSB is zero for read commands, and one for write commands.

25.2.3. Fast-Access Commands for Registers 0-15

The SPI command set includes directly-addressed read commands for registers 0 through 15. The 8-bit pattern for these read commands has the general form

0-0-R-R-R-R-0-0

where RRRR is the 4-bit register address. These fast-access read commands appear in Table 27.

25.2.4. Fast-Access Write Commands for Registers 0-63

The SPI command set includes directly-addressed write commands for registers 0 through 63. The 8-bit pattern for these read commands has the general form

1-0-R-R-R-R-R-R

where RRRRRR is the 6-bit register address. The fast-access write commands appear in Table 27.

Figure 27 and Figure 28 show read and write timing as it appears for fast-access register operations. The command byte is immediately followed by two data bytes comprising the 16-bit data word read or written. For a register read or write, \overline{CE} is negated after the 2-byte data word is transferred.

25.2.5. Indirect Addressing of RAM and Registers

Refer to the HI-6131 SPI command set shown in Table 28. All SPI commands other than fast-access use a Memory Address Pointer register to indicate the starting address for read or write transactions. Four “Memory Address Pointers” reside at register addresses 0x000B through 0x000E. Just one Memory Address Pointer (MAP) is active (enabled) at any time.

The active Memory Address Pointer is selected by writing the MAPSEL bits 11-10 in the Master Configuration Register. Or use the SPI instruction op codes 0xD8, 0xD9, 0xDA or 0xDB which enable MAP registers 0x000B, 0x000C, 0x000D or 0x000E respectively, by automatically writing MAPSEL bits 11-10 in the Master Configuration Register.

The active Memory Address Pointer must be initialized before any read or write operation, other than fast-access.

To write the active MAP register, use a fast-access write op code, followed by the desired 16-bit memory address:

- Writing MAP register 0x000B uses SPI op code 0x8B followed by 16-bit address.
- Writing MAP register 0x000C uses SPI op code 0x8C followed by 16-bit address
- Writing MAP register 0x000D uses SPI op code 0x8D followed by 16-bit address.
- Writing MAP register 0x000E uses SPI op code 0x8E followed by 16-bit address.

To read the active MAP register, use a fast-access write op code. The current MAP 16-bit value is clocked out in the next 16 sequential SCK clock cycles:

- Reading MAP register 0x000B uses SPI op code 0x2C
- Reading MAP register 0x000C uses SPI op code 0x30
- Reading MAP register 0x000D uses SPI op code 0x34
- Reading MAP register 0x000E uses SPI op code 0x38

While SPI command op codes are always 8 bits, transacted addresses and register or memory data are always 16-bit words, transferred by the SPI as two sequential bytes. After a 2-byte read/write completion, the active Memory Address Pointer automatically increments to the following register address. The host can extend the read or write operation to the next register address by continuing to hold CE low while clocking SCK 16 additional times. This auto-increment feature can be used to access one or more sequential register addresses above the command address. Auto-increment applies (ranging to the top of the address space) as long as SCK continues to be clocked under continuous CE assertion. Caution: When the primary address pointer is used for auto-incrementing multi-word read/write and reaches the top of the address range (0x7FFF) the next increment rolls over the MAP value to 0x0000. The host should avoid this situation.

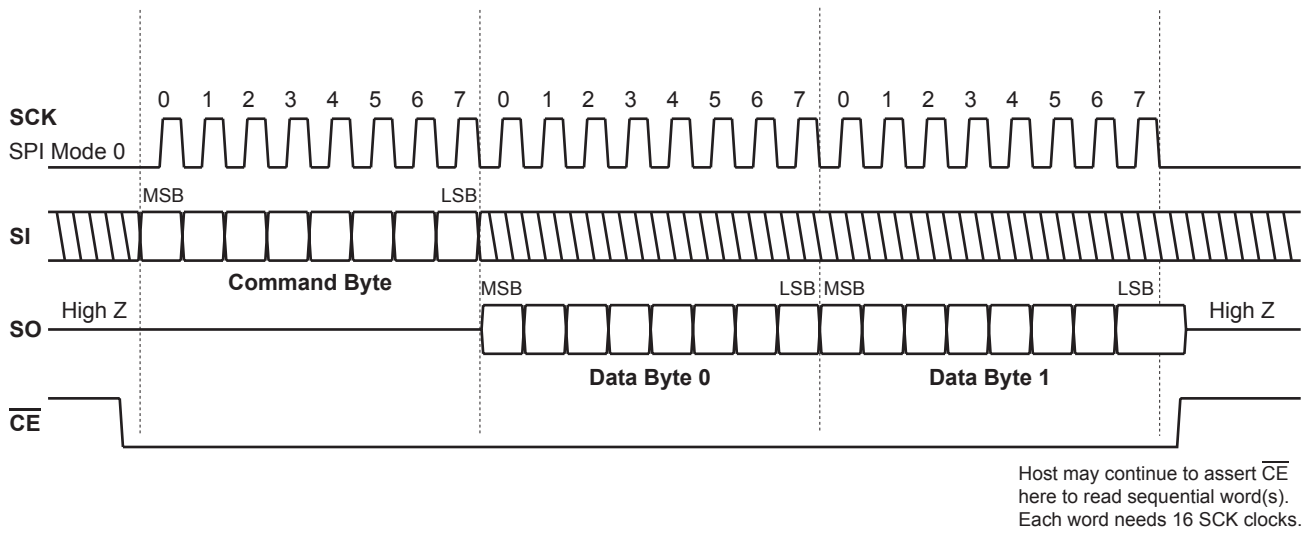


Figure 27. Single-Word (2-Byte) Read From RAM or a Register

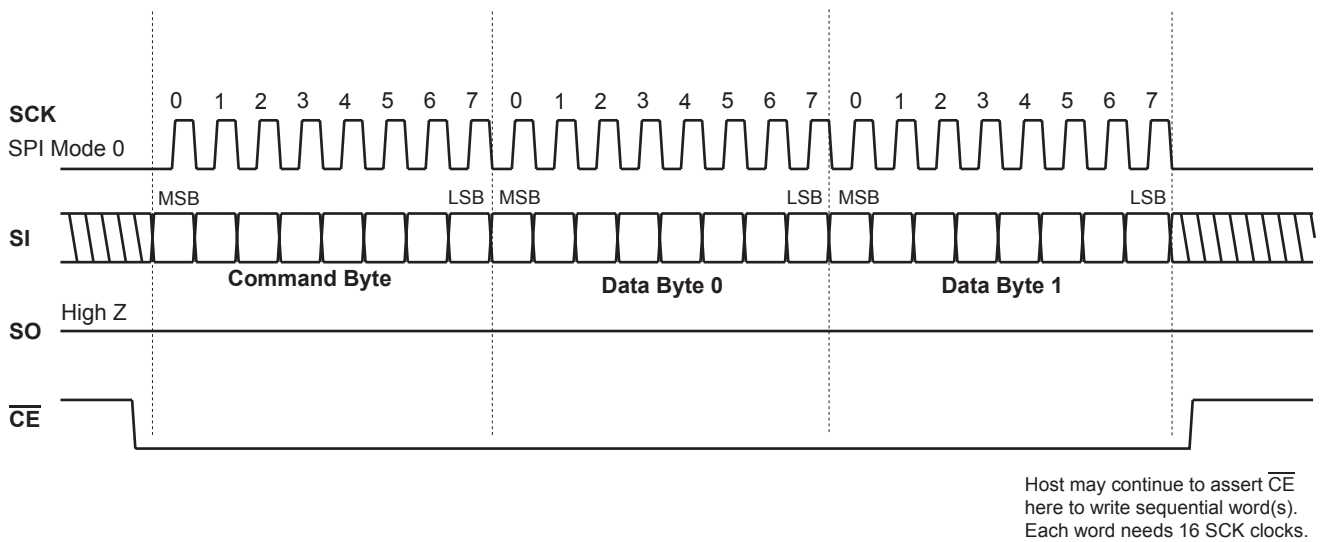


Figure 28. Single-Word (2-Byte) Write To RAM or a Register

HI-6130, HI-6131

Three single-byte SPI commands modify the value in the active Memory Address Pointer, selected by MAPSEL bits 11-10 in the Master Configuration Register:

Command	Address Pointer Operation
0xD0	increment enabled Memory Address Pointer value
0xD2	add 2 to enabled Memory Address Pointer value
0xD4	add 4 to enabled Memory Address Pointer value

The “Add 4” command may be useful when sequentially accessing the same word (for example, the Control Word) in a series of 4-word Descriptor Table entries. The “Add 2” command might be useful for reading the Interrupt Log Buffer, comprised of 2-word log entries. In both cases, the Add command would be probably followed by Read command 0x40 to read the location addressed by the current pointer value. Similarly, Write command 0xC0 writes the location addressed by the current pointer value. Two command bytes cannot be “chained”; the host SPI Slave Select CE must be negated after the Add command, then reasserted for the following Read or Write command.

The active Memory Address Pointer is not affected by fast-access read/writes to the low register addresses because fast-access SPI commands use a separate, internal pointer not directly accessible to the host.

Two single-byte SPI commands use the current value of the enabled Memory Address Pointer without first loading or otherwise modifying it:

Command	Read Operation
0x40	read location addressed by enabled Memory Address Pointer

Command	Write Operation
0xC0	write location addressed by enabled Memory Address Pointer

Either of these commands can be used to read or write a single location, or may be used to start a multi-word read or write that uses the MAP pointer’s auto-increment feature.

One single-byte SPI command increment the current value of the enabled Memory Address Pointer, then performs a write:

Command	Write Operation
0xC8	add 1 to enabled Memory Address Pointer then write addressed location

25.2.6. Data Prefetch for SPI Read Cycles

Data prefetch is a technique used by the HI-6131 to speed up host multi-word read access to registers or RAM. Prefetching occurs when HI-6131 logic accesses data before it is actually needed. Because register or RAM locations are often read sequentially, performance improves when data is prefetched in address sequence order. For any SPI read cycle, the HI-6131 first fetches the addressed location, then increments the memory address pointer and prefetches the following address, to speed up access in the likely event that the following word will be read next. For the HI-6131, read cycle prefetch allows the SPI host to read sequential locations back-to-back, continuing as long as the host asserts chip select and provides SPI clock. This is described as the Memory Address Pointer “auto-increment” feature.

HI-6130, HI-6131

There is an exception: read cycle prefetch is blocked when the next RAM address is a Control Word in the RT1 or RT2 Descriptor Table. If allowed, pre-fetch (like any other read) resets the Control Word DBAC status bit. To preserve DBAC status bit function, prefetch is disabled when reading Control Words within Descriptor Table address range. The table base address (set by the value in register 0x0019 for RT1 or register 0x0022 for RT2) and every fourth word thereafter is a Control Word. This consists of table addresses having these offsets from the table start address: 0, 4, 8, 0xC through and including 0x1F8 and 0x1FC. See further information in Section 25.2.8.

These two commands can be used to read or write a single location, or may be used to start a multi-word read or write that uses the pointer's auto-increment feature.

25.2.7. Special Purpose Commands

Several other HI-6131 SPI commands load or otherwise modify the active Memory Address Pointer before initiating a read or write process. These commands were tailored to the specific needs of HI-6131 Remote Terminal host software.

Using a single-byte SPI command, the active Memory Address Pointer can be directly loaded with the memory address for the RT1 or RT2 descriptor table Control Word corresponding to the last completed MIL-STD-1553 command. The Control Word is then read.

Command	Read Operation
0x48	Copy RT1 Current Control Word Address register 3 into the enabled Memory Address Pointer. Read the location addressed by the new pointer value.
0x50	Copy RT2 Current Control Word Address register 5 into the enabled Memory Address Pointer. Read the location addressed by the new pointer value.

This command can be used to read just the current RT1 or RT2 Control Word, or may be used to start a multi-word read because memory pointer auto-increment occurs after the Control Word is read.

Six single-byte SPI commands add an offset to the current address pointer value, then read the addressed memory location; the read value is then written to the address pointer register 15. The new pointer value is used to start a read or write operation:

Command	Read Operation
0x68	Read the location addressed by the enabled Memory Address Pointer. Write the value just read into the Memory Address Pointer. Then read.
0x70	Add 1 to the enabled Memory Address Pointer. Read value at newly addressed location and write it into the Memory Address Pointer. Then read.
0x78	Add 2 to the enabled Memory Address Pointer. Read value at newly addressed location and write it into the Memory Address Pointer. Then read.

HI-6130, HI-6131

Command	Write Operation
0xE8	Read the location addressed by the enabled Memory Address Pointer. Write the value just read into the Memory Address Pointer. Then write.
0xF0	Add 1 to the enabled Memory Address Pointer. Read value at newly addressed location and write it into the Memory Address Pointer. Then write.
0xF8	Add 2 to the enabled Memory Address Pointer. Read value at newly addressed location and write it into the Memory Address Pointer. Then write.

Primary use occurs when an RT1 or RT2 Descriptor Table Control Word was just read. For example, the last op code performed was 0x48, reading the RT1 Control Word for the last command. After reading the Control Word, the enabled Memory Address Pointer automatically incremented. The host can examine flag bits contained in the just-read Control Word to determine the applicable data buffer (e.g., Data Buffer A, Data Buffer B or the Broadcast Data Buffer) then directly service that buffer using these op codes; the three data buffer pointers occur in the three words following the initially read Control Word.

These six commands can be used to read or write a single location, or may be used to start a multi-word read or write that uses the pointer's auto-increment feature.

When some or all subaddress or mode commands are not programmed to trigger host interrupts, a different single-byte SPI command may be useful if polling the RT1 or RT2 Descriptor Table for message activity. In this situation, the host may poll a series of Descriptor Table Control Words looking for instances where the DBAC activity bit is set. The DBAC (Descriptor Block Accessed) flag is set in the Control Word each time the corresponding command is completed. The process of reading the Control Word automatically resets the register's DBAC bit so the host can detect activity the next time the DBAC flag is set by the device.

Since RT1 or RT2 Descriptor Table Control Words are spaced four words apart, this command is useful when polling a series of descriptor table Control Words:

Command	Read Operation
0x60	read addressed location then add 4 to pointer

Primary use occurs when the address pointer initially points to the first Descriptor Table Control Word in a series of Control Words to be polled (every fourth word).

After 8 SCK clocks for the SPI command, each instance of this command reads a single location using 16 SCK clocks. If CS remains low after 24 clocks and SCK continues, a multi-word read begins, using the address pointer's auto-increment feature. The second word read is at (Control Word address + 4), the next Control Word in the table.

Another single-byte SPI command is useful when servicing interrupts. When enabled interrupts occur, two words are written to the circular 64-word Interrupt Log Buffer, and the Interrupt Log Address register 0x000A is updated to show the storage address where interrupt information words will be stored for the next occurring interrupt. Buffer starting address is 0x0180 and ending address is 0x01BF. Because two words are written to the buffer for each interrupt, the Interrupt Log Address register always contains an even value in the range of 0x0180 to 0x01BE.

When servicing an interrupt that just occurred, the host wants timely information on that interrupt. An SPI command is provided to simplify interrupt handling:

HI-6130, HI-6131

Command	Read Operation
0x58	Write enabled Memory Address Pointer with the current bit 8:0 address value in Interrupt Log Address register minus 1. (See note.) If address bits 8:0 equal 0x0180, then 0x1BF is written into Memory Address Pointer. Then read the newly-addressed RAM location, containing the last-written Interrupt Address Word. Then decrement the Memory Address Pointer, which then addresses the corresponding Interrupt Information Word

Note: Bits 15:9 in the Interrupt Log Address register contain the interrupt count since the Log Address register was last read. These bits are not written to the Memory Address Pointer.

This command can be used to read a single location (the last-written Interrupt Address Word), or may be used to start a multi-word read in which the Memory Address Pointer automatically decrements after each word is read, reading words stored in the Interrupt Log Buffer, in Last In First Out order. This is the only SPI op code that decrements the Memory Address Pointer for multi-word operations. Repeated memory pointer decrements will wrap around the 0x0180 to 0x01BF Interrupt Log Buffer boundary.

25.2.8. RT Descriptor Table Prefetch Exceptions

For the SPI-interface HI-6131, the enabled Memory Address Pointer (register 0x000F) contains the address for each new word read by the host. When starting a read access, the host usually writes the enabled Memory Address Pointer with the address for the first word to read. The host then uses an SPI op code to initiate the read process. After the addressed word is transferred by SPI to the host, the HI-6131 continues to read and transmit words from sequential RAM memory addresses, as long as the host continuously asserts chip select while providing SCK serial clock pulses. After fetching each new word, the device increments the Memory Address Pointer and prefetches the data contained in the newly addressed location. The next word is prefetched even when the host does not ultimately read the following address. For HI-6131, sequential reads from the RT1 or RT2 Descriptor Table that rely on MAP auto-increment will stop advancing when the next address contains a RT Descriptor Table Control Word. Properly designed SPI transfers overcome this behavior.

Using SPI command op codes, the HI-6131 host must consider prefetch and pointer behavior when reading data from the Descriptor Table. Applied outside the RT Descriptor Table, the following SPI sequence would read data from six successive memory addresses. But below, applied within the table, the sequence gets stuck at the fourth word read.

Below we assume the RT1 Descriptor Table starts at default base address, 0x0400. The host first uses SPI op codes 0xD8 and 0x8B to enable Memory Address Pointer 0x000B then write the table start address 0x0400 into it. The sequence then uses op code 0x40 (and MAP auto-increment) to read the first MAP-addressed location and successive locations.

Notice: There is no MAP auto-increment or data prefetch when MAP equals 0x0403, so the final two read cycles repeat the previous read value and address.

```

FROM    FROM
HOST    HI-6131  COMMENT
=====
0xD8    ----  SPI op enables memory address pointer (MAP) 0x000B.
0x8B    ----  SPI op code writes memory address pointer (MAP).
0x0400  ----  RT1 Descriptor Table start address written to MAP.
0x40    ----  SPI op code to "read location addressed by MAP"

```

HI-6130, HI-6131

```
---- <data> data from 0x0400 (SCK continues afterward)
---- <data> data from 0x0401 (SCK continues afterward)
---- <data> data from 0x0402 (SCK continues afterward)
---- <data> data from 0x0403 (SCK continues afterward, Control Word next)
---- <data> data from 0x0403 (SCK continues afterward, Control Word next)
---- <data> data from 0x0403 (SCK stops and /CS is then negated)
```

Using a different SPI op code sequence, the host can read the entire RT1 Descriptor Table without getting stuck at the first Control Word read by the multi-word transfer using op code 0x40:

```
FROM    FROM
HOST    HI-6131  COMMENT
=====
0xD8    ---- SPI op enables memory address pointer (MAP) 0x000B.
0x8B    ---- op code writes memory address pointer (MAP)
0x03FF  ---- decremented table start addr 0x0400 - 1 written to MAP

0xD0    ---- op code increments enabled MAP
0x40    ---- op code reads MAP-addressed location
---- <data> data from 0x0400 (SCK continues afterward)
---- <data> data from 0x0401 (SCK continues afterward)
---- <data> data from 0x0402 (SCK continues afterward)
---- <data> data from 0x0403 (SCK stops and /CS is negated)

0xD0    ---- op code increments enabled MAP
0x40    ---- op code reads MAP-addressed location
---- <data> data from 0x0404 (SCK continues afterward)
---- <data> data from 0x0405 (SCK continues afterward)
---- <data> data from 0x0406 (SCK continues afterward)
---- <data> data from 0x0407 (SCK stops and /CS is negated)

0xD0    ---- op code increments enabled MAP
0x40    ---- op code reads MAP-addressed location
---- <data> data from 0x0408 (SCK continues afterward)
---- <data> data from 0x0409 (SCK continues afterward)
---- <data> data from 0x040A (SCK continues afterward)
---- <data> data from 0x040B (SCK stops and /CS is negated)
```

The host may repeat this sequence until the entire RT1 Descriptor Table is read. The repeating read process is not shown, but the sequence could end like this, stopping at the upper table boundary...

```
0xD0    ---- op code increments enabled MAP
0x40    ---- op code reads MAP-addressed location
---- <data> data from 0x05FC (SCK continues afterward)
---- <data> data from 0x05FD (SCK continues afterward)
---- <data> data from 0x05FE (SCK continues afterward)
---- <data> data from 0x05FF (SCK stops and /CS is negated) TABLE ENDS
```

In most situations, the repeating op code block (0xD0 with 8 SCK clocks and op code 0x40 with 72 SCK clocks) would be implemented as a loop, rather than straight-line code. A total of 128 loop repetitions would be required to read the RT Descriptor Table from start to finish.

HI-6130, HI-6131

Table 27. Fast-Access SPI Commands for Lower Registers

Op Code Bits 5:2 Convey the 4-Bit Register Read Address.
Command Bits 5:0 Convey the 6-Bit Register Write Address.

Command Bits 7 6 5 4 3 2 1 0	HEX Byte	Fast-Access Read	Command Bits 7 6 5 4 3 2 1 0	HEX Byte	Fast-Access Write
0 0 0 0 0 0 0 0	0x00	Read Register 0	1 0 0 0 0 0 0 0	0x80	Write Register 0
0 0 0 0 0 1 0 0	0x04	Read Register 1	1 0 0 0 0 0 0 1	0x81	Write Register 1
0 0 0 0 1 0 0 0	0x08	Read Register 2	1 0 0 0 0 0 1 0	0x82	Write Register 2
0 0 0 0 1 1 0 0	0x0C	Read Register 3	1 0 0 0 0 0 1 1	0x83	Write Register 3
0 0 0 1 0 0 0 0	0x10	Read Register 4	1 0 0 0 0 1 0 0	0x84	Write Register 4
0 0 0 1 0 1 0 0	0x14	Read Register 5	1 0 0 0 0 1 0 1	0x85	Write Register 5
0 0 0 1 1 0 0 0	0x18	Read Register 6	1 0 0 0 0 1 1 0	0x86	Write Register 6
0 0 0 1 1 1 0 0	0x1C	Read Register 7	1 0 0 0 0 1 1 1	0x87	Write Register 7
0 0 1 0 0 0 0 0	0x20	Read Register 8	1 0 0 0 1 0 0 0	0x88	Write Register 8
0 0 1 0 0 1 0 0	0x24	Read Register 9	1 0 0 0 1 0 0 1	0x89	Write Register 9
0 0 1 0 1 0 0 0	0x28	Read Register 10	1 0 0 0 1 0 1 0	0x8A	Write Register 10
0 0 1 0 1 1 0 0	0x2C	Read Register 11	1 0 0 0 1 0 1 1	0x8B	Write Register 11
0 0 1 1 0 0 0 0	0x30	Read Register 12	1 0 0 0 1 1 0 0	0x8C	Write Register 12
0 0 1 1 0 1 0 0	0x34	Read Register 13	1 0 0 0 1 1 0 1	0x8D	Write Register 13
0 0 1 1 1 0 0 0	0x38	Read Register 14	1 0 0 0 1 1 1 0	0x8E	Write Register 14
0 0 1 1 1 1 0 0	0x3C	Read Register 15	1 0 0 0 1 1 1 1	0x8F	Write Register 15
decimal 15 is end of read address range			1 0 0 1 0 0 0 0	0x90	Write Register 16
			1 0 0 1 0 0 0 1	0x91	Write Register 17
			1 0 0 1 0 0 1 0	0x92	Write Register 18
			1 0 0 1 0 0 1 1	0x93	Write Register 19
			1 0 0 1 0 1 0 0	0x94	Write Register 20
			1 0 0 1 0 1 0 1	0x95	Write Register 21
			and so on, to 63 decimal		.
			1 0 1 1 1 1 0 1	0xBD	Write Register 61
			1 0 1 1 1 1 1 0	0xBE	Write Register 62
			1 0 1 1 1 1 1 1	0xBF	Write Register 63
			decimal 63 is end of write address range		

HI-6130, HI-6131

Table 28. SPI Commands using Memory Address Pointer

Hex Byte	Read or Write	Read
<i>Select / Enable a Memory Address Pointer</i>		
0xD8	-----	Enable Memory Address Pointer at register 0x000B
0xD9	-----	Enable Memory Address Pointer at register 0x000C
0xDA	-----	Enable Memory Address Pointer at register 0x000D
0xDB	-----	Enable Memory Address Pointer at register 0x000E
<i>Memory Address Pointer Operations (no data is written or read)</i>		
0xD0	-----	Add 1 to the current value of the enabled Memory Address Pointer
0xD2	-----	Add 2 to the current value of the enabled Memory Address Pointer
0xD4	-----	Add 4 to the current value of the enabled Memory Address Pointer
<i>Read / Write RAM or Register Location Using Current Address Pointer Value</i>		
0x40	R	Read location addressed by the current value of the enabled Memory Address Pointer
0xC0	W	Write location addressed by the current value of the enabled Memory Address Pointer
<i>Increment Address Pointer Then Write Addressed RAM or Register Location</i>		
0xC8	W	Write addressed location after incrementing the enabled Memory Address Pointer
<i>Special Purpose Commands</i>		
0x48	R	Copy RT1 current Control Word address (register 3) to enabled Memory Address Pointer, then read the location addressed by the new pointer value (read the current Control Word for RT1)
0x50	R	Copy RT2 current Control Word address (register 5) to enabled Memory Address Pointer, then read the location addressed by the new pointer value (read the current Control Word for RT2)
0x68	R	Add 0 to the current value of the enabled Memory Address Pointer. Then . . .
0x70	R	Add 1 to the current value of the enabled Memory Address Pointer. Then . . .
0x78	R	Add 2 to the current value of the enabled Memory Address Pointer. Then copy value from newly addressed location to the enabled Memory Address Pointer then read newly addressed location.
0xE8	W	Add 0 to the current value of the enabled Memory Address Pointer. Then . . .
0xF0	W	Add 1 to the current value of the enabled Memory Address Pointer. Then . . .
0xF8	W	Add 2 to the current value of the enabled Memory Address Pointer. Then copy value from newly addressed location to the enabled Memory Address Pointer then write newly addressed location.
0x60	R	Read then add 4 to the current value of the enabled Memory Address Pointer.
0x58	R	Write storage address of last-written Interrupt Address Word to the enabled Memory Address Pointer, then read the Interrupt Address Word from the Interrupt Log buffer. Decrement Memory Address Pointer after read operation

26. APPENDIX: RT MESSAGES RESPONSES, OPTIONS & EXCEPTIONS

Circumstances for Received Message	Terminal Response to Received Command	Bits Updated in Descriptor Control Word	Bits Updated in Data Buffer Msg Info Word	Interrupt Options
Invalid Command Word (Manchester, parity or bit count error)	No terminal response, the message is ignored. No Status Word change.	No change	No Message Info Word is written	None
Any valid command to RT31 (broadcast) when the BCSTINV bit in the RT Configuration Register equals 1.	No terminal response, the message is ignored. No Status Word change. (Broadcast commands are rendered invalid.)	No change	No Message Info Word is written	None
RT Address Parity Error based on RTA and RTAP bits in the Operational Status Register	For commands to the RT's own address or to broadcast address RT31: No terminal response, message is ignored. No Status Word change.	No change	No Message Info Word is written	RTAPF (not optional)
Any valid non-mode (subaddress 1-30) transmit command to RT31 (undefined broadcast transmit).	No terminal response, Set Message Error (ME) and BCR status bits.	DBAC bit set. DPB bit toggles. BCAST bit set.	MERR bit set. BUSID bit updated.	IWA IBR (IXEQZ)
Any valid non-mode (subaddress 1-30) transmit command except for RT31. The corresponding bit in the Illegalization Table equals 0.*	Normal Status Word response (Clear Status). Data words for transmit are read from the RAM data buffer assigned by the Descriptor Table entry for the transmit subaddress.	DBAC bit set. DPB bit toggles. BCAST bit reset.	Normal CS update: BUSID bit updated. MERR bit reset. ILCMD bit reset. RTRT bit updated. (Other error bits reset).	IWA IBR (IXEQZ)
Any valid non-mode (subaddress 1-30) transmit command except for RT31. The corresponding bit in the Illegalization Table equals 1. **	Assert Message Error (ME) status, then transmit ME Status Word without following data words.	DBAC bit set. DPB bit toggles. BCAST bit reset.	ILCMD bit set. BUSID bit updated. MERR bit set. RTRT bit updated. (Other error bits reset).	ILCMD IWA
Any valid non-mode (subaddress 1-30) receive command. The corresponding bit in the Illegalization Table equals 0. *	Normal Status Word response (Clear Status). After message completion, the data words received are stored in the data buffer RAM location assigned by the Descriptor Table entry for the receive subaddress.	DBAC bit set. DPB bit toggles. BCAST bit reset.	Normal update: BUSID bit updated. MERR bit reset. ILCMD bit reset. RTRT bit updated. (Other error bits reset).	IWA IBR (IXEQZ)

* Terminal is using "illegal command detection" and command is legal
OR terminal is not using "illegal command detection" and command may be legal or illegal (in form response).
** Terminal is using "illegal command detection" and command is illegal.

HI-6130, HI-6131

Circumstances for Received Message	Terminal Response to Received Command	Bits Updated in Descriptor Control Word	Bits Updated in Data Buffer Msg Info Word	Interrupt Options
Any valid non-mode (subaddress 1-30) receive command. The corresponding bit in the Illegalization Table equals 1. **	Assert Message Error (ME) status and set BCR if broadcast. Any received data words are ignored and are not saved. When data reception stops, transmit Status Word.	DBAC bit set. DPB bit toggles. BCAST bit updated.	ILCMD bit set. BUSID bit updated. MERR bit set. RTRT bit updated. (Other error bits reset)	ILCMD IWA IBR (IXEQZ)
Valid receive command followed by invalid data word (Manchester, parity or bit count error).	No terminal response. Set Message Error (ME) status. If broadcast (RT31), also set the BCR status bit.	DBAC bit set. BCAST bit updated. DPB bit toggles.	MERR bit set. BUSID bit updated. IWDERR bit set. ILCMD bit reset. RTRT bit updated (Other error bits reset).	MERR IWA IBR
Valid receive command followed by one or more good data words, then a data word having Command Sync.	No terminal response. Set Message Error (ME) status. If broadcast (RT31), also set the BCR status bit.	DBAC bit set. BCAST bit updated. DPB bit toggles.	MERR bit set. BUSID bit updated. SYNERR bit set. ILCMD bit reset. (Other error bits reset).	MERR IWA IBR
Any valid command followed by wrong number of data words (too few or too many words)	No terminal response. Set Message Error (ME) status. If broadcast (RT31), also set the BCR status bit.	DBAC bit set. BCAST bit updated. DPB bit toggles.	MERR bit set. BUSID bit updated. Set WCTERR (too few) or GAPERR (too many). ILCMD bit reset. RTRT bit updated. (Other error bits reset).	MERR IWA IBR
RT-RT where CW1 is a valid non-mode receive command. CW2 is a non-mode transmit command valid for different RT. (Normal RT-RT receive message)	Normal Status Word response (Clear Status). If RT-RT Command Word 1 is broadcast (RT31) set the BCR status bit.	DBAC bit set. BCAST bit updated. DPB bit toggles.	Normal CS update: BUSID bit updated. RTRT bit set. RTCWERR bit reset. ILCMD bit reset. (All error bits reset).	IWA IBR (IXEQZ)
RT-RT where CW1 is a valid non-mode receive command. Transmit command CW2 has an error: T/R bit = 0, or CW2 subaddress equals 0 or 31 (mode code), or CW2 has same RT address as CW1.	No terminal response. Set Message Error (ME) status. If RT-RT Command Word 1 is broadcast (RT31) also set the BCR status bit,	DBAC bit set. BCAST bit updated. DPB bit toggles.	MERR bit set. BUSID bit updated. RTRT bit set. RTRTCWERR bit set. ILCMD bit reset. (Other error bits reset).	MERR IWA IBR

HI-6130, HI-6131

Circumstances for Received Message	Terminal Response to Received Command	Bits Updated in Descriptor Control Word	Bits Updated in Data Buffer Msg Info Word	Interrupt Options
RT-RT where CW1 is a valid non-mode receive command. CW2 is valid for different RT but transmitting RT does not respond in time.	No terminal response. Set Message Error (ME) status. If RT-RT Command Word 1 is broadcast (RT31), also set the BCR status bit.	DBAC bit set. BCAST bit updated DPB bit toggles.	MERR bit set. BUSID bit updated. RTRT bit set. TMOERR bit set. ILCMD bit reset. (Other error bits reset).	MERR IWA IBR
RT-RT receive command (CW1 is valid). The transmitting RT response has one of these errors: invalid word (Manchester, (sync, bit count, parity or word count error). Also includes transmitting RT response with Message Error or Busy status followed by no data words.	No terminal response. Set Message Error (ME) status. If RT-RT Command Word 1 is broadcast (RT31) also set the BCR status bit.	DBAC bit set. BCAST bit reset. DPB bit toggles.	MERR bit set. BUI SID bit reset. RTRT bit set. IWDERR bit set, or WCTERR bit set for Tx RT Busy case. ILCMD bit reset. (Other error bits reset).	MERR IWA IBR
RT-RT command where CW2 is a valid non-mode (subaddress 1-30) transmit command. CW1 is a non-mode receive command for RT31. (Normal broadcast RT-RT transmit)	Normal Status Word response. Clear status is transmitted with the commanded number of data words. Data words for transmit are read from the RAM data buffer assigned in the Descriptor Table entry for the transmit subaddress.	DBAC bit set. BCAST bit reset. DPB bit toggles.	Normal CS update: BUSID bit updated. MERR bit reset. ILCMD bit reset. RTRT bit set. (All error bits reset).	IWA (IXEQZ)
Valid mode code command to RT31 (broadcast). The BCSTINV bit in the RT Configuration Register equals 1.	No terminal response, the message is ignored. No Status Word change.	No change	No Message Info Word is written	None
Valid undefined mode code command. The UMCINV bit in the RT Configuration Register equals 1.	No terminal response, the message is ignored. No Status Word change. NOTE: This only applies for the undefined mode codes: MC0 to MC15 with $T/\bar{R} = 0$ MC16,18 & 19 with $T/\bar{R} = 0$ MC17,20 & 21 with $T/\bar{R} = 1$	No change	No Message Info Word is written	None

HI-6130, HI-6131

Circumstances for Received Message	Terminal Response to Received Command	Bits Updated in Descriptor Control Word	Bits Updated in Data Buffer Msg Info Word	Interrupt Options
<p>Valid defined mode code command (including reserved mode code) not "illegalized" by Illegalization Table (table bit equals 0 *)</p>	<p>If MC2 (transmit status) or MC18 (transmit last command) status word from last command is transmitted. If MC18, data word transmitted is read from an internal register. OR If not MC2 or MC18, normal Status Word response. If broadcast, assert Status Word BCR bit.</p> <p>For mode codes 16-31 with T/R bit = 1 which transmit a data word, the word for transmit is read from the Mode Command Data Table. AND For all mode commands with mode data word (mode codes 16-31), the transmitted or received data word is written to command's Descriptor Word 4.</p>	<p>DBAC bit set. BCAST bit updated. DPB bit toggles.</p>	<p>Normal CS update: BUSID bit updated. MERR bit reset. ILCMD bit reset. RTRT bit reset. (All error bits reset.)</p>	<p>IWA IBR (IXEQZ)</p>
<p>Valid defined mode code command that is "illegalized" by the Illegalization Table (table bit equals 1 **)</p>	<p>Set Message Error (ME) status. If not broadcast (RT31), transmit. Status Word without a following mode data word. If broadcast (RT31), also assert the BCR status bit. AND For mode commands with a mode data word (mode codes 16-31), no updates are made to the Mode Command Data Table or to the command's Word 4 in Descriptor Table.</p>	<p>DBAC bit set. BCAST bit updated. DPB bit toggles.</p>	<p>ILCMD bit set. BUSID bit updated. MERR bit reset. RTRT bit reset. (Other error bits reset.)</p>	<p>ILCMD IWA IBR</p>

* Terminal is using "illegal command detection" and command is legal
 OR terminal is not using "illegal command detection" and command may be legal or illegal (in form response).
 ** Terminal is using "illegal command detection" and command is illegal.

HI-6130, HI-6131

Circumstances for Received Message	Terminal Response to Received Command	Bits Updated in Descriptor Control Word	Bits Updated in Data Buffer Msg Info Word	Interrupt Options
<p>Valid undefined mode code command. The UMCINV bit in the RT Configuration Register equals 0.</p>	<p>If bit in Illegalization Table that corresponds to the undefined mode code command equals 1 **</p> <p>Set Message Error (ME) status, If not broadcast (RT31), transmit Status Word without a following mode data word. If broadcast (RT31), also assert the BCR status bit.</p>	<p>DBAC bit set. BCAST bit updated. DPB bit toggles.</p>	<p>ILCMD bit set. BUSID bit updated. MERR bit reset. RTRT bit reset. (Other error bits reset.)</p>	<p>ILCMD IWA IBR</p>
	<p>OR</p> <p>If bit in Illegalization Table that corresponds to the undefined mode code command equals 0 *</p> <p>Normal Status Word (Clear Status) response. If command was broadcast (RT31), assert the BCR status bit.</p> <p>AND</p> <p>For mode codes 16-31 with T/\bar{R} bit = 1 which transmit a data word, the word for transmit is read from the Mode Command Data Table.</p> <p>AND</p> <p>For all mode commands with mode data word (mode codes 16-31), the transmitted or received data word is written to command's Descriptor Word 4.</p>	<p>DBAC bit set. BCAST bit updated. DPB bit toggles.</p>	<p>Normal CS update: BUSID bit updated. MERR bit reset. ILCMD bit reset. RTRT bit reset. (All error bits reset.)</p>	<p>IWA IBR (IXEQZ)</p>

* Terminal is using "illegal command detection" and command is legal

OR terminal is not using "illegal command detection" and command may be legal or illegal (in form response).

** Terminal is using "illegal command detection" and command is illegal.

HI-6130, HI-6131

Circumstances for Received Message	Terminal Response to Received Command	Bits Updated in Descriptor Control Word	Bits Updated in Data Buffer Msg Info Word	Interrupt Options
Valid receive command followed by invalid data word (Manchester, parity or bit count error).	No terminal response. Set Status Word ME bit, If broadcast, also set Status Word BCR bit.	DBAC bit set. BCAST bit updated. DPB bit toggles.	MERR bit set. BUSID bit updated. IWDERR bit set. ILCMD bit reset. RTRT bit updated. (Other error bits reset.)	MERR IWA IBR
Superseded Message: Terminal receives an incomplete message interrupted by a gap of at least 3.5 us, followed by a new valid command on the same bus or on the other bus OR Terminal is transacting a transmit message on one bus and receives the start of a valid command on the other bus.	Terminal aborts processing for first message and responds in full to the second (superseding) message. The Status Word BCR bit reflects broadcast status for: the second command, unless second command is MC2 (transmit status) or MC18 (transmit last command).	No change to superseded command's Control Word. For superseding command's Control Word: DBAC bit set. BCAST bit updated DPB bit toggles.	No Msg Info Word written for the superseded command. For superseding command's data buffer, a normal CS update: BUSID bit updated. MERR bit reset. ILCMD bit reset. RTRT bit updated. (All error bits reset.)	None for superseded command IWA IBR (IXEQZ)
Terminal is Busy for a valid receive command either globally (BUSY bit set in Status Word Bits register) or in response to a particular valid receive command (MKBUSY bit set in the command's Descriptor Table control word.)	Busy bit is set in the 1553 Status Bits register. Status Word is transmitted, unless broadcast. If broadcast, the BCR bit in Status Word is also set. After message completion, data words received are stored in the data buffer assigned by the receive subaddress Descriptor Table entry.	DBAC bit set. BCAST bit updated. DPB bit toggles.	WASBSY bit set. BUSID bit updated. MERR bit reset. ILCMD bit reset. RTRT bit updated. (All error bits reset.)	IWA IBR
Terminal is Busy for a valid transmit command either globally (BUSY bit set in Status Word Bits register) or in response to a particular valid receive command (MKBUSY bit set in the command's Descriptor Table control word.)	Busy bit is set in the 1553 Status Bits register. If not broadcast, Status Word is transmitted without data. If broadcast, the BCR bit in Status Word is also set.	DBAC bit set. BCAST bit updated, (mode commands with $T/\bar{R} = 1$) DPB bit toggles	WASBSY bit set. BUSID bit updated. MERR bit reset. ILCMD bit reset. RTRT bit updated. (All error bits reset.)	IWA IBR

HI-6130, HI-6131

Circumstances for Received Message	Terminal Response to Received Command	Bits Updated in Descriptor Control Word	Bits Updated in Data Buffer Msg Info Word	Interrupt Options
<p>DYNAMIC BUS CONTROL (MC0): Mode code command with mode code 00000 and T/R bit equals 1</p> <p>The mode code's bit in Illegalization Table equals 0 *</p> <p>OR The mode code's bit in Illegalization Table equals 1 **</p>	<p>HI-6130 is not equipped to accept bus control duties. The host must initialize device to respond using either of the two following methods:</p> <p>RT is not using "illegal command detection." Respond "in form": Reset Message Error (ME) status and transmit Status Word.</p> <p>OR RT is using "illegal command detection" and mode code is illegalized. Set Message Error (ME) status and transmit Status Word.</p>	<p>DBAC bit set. BCAST bit reset. DPB bit toggles.</p> <p>DBAC bit set. BCAST bit reset. DPB bit toggles.</p>	<p>Normal CS update: BUSID bit updated. MERR bit reset. ILCMD bit reset. RTRT bit reset. (All error bits reset.)</p> <p>ILCMD bit set. BUSID bit updated. MERR bit reset. RTRT bit reset. (Other error bits reset.)</p>	<p>IWA</p> <p>ILCMD IWA</p>
MC0 EXCEPTIONS:				
Broadcast address RT31 (broadcast not allowed)	No Status Word transmit. Set the Message Error (ME) and BCR status bits.	DBAC bit set. BCAST bit set. DPB toggles.	MERR bit set. BUSID bit updated. ILCMD bit reset. RTRT bit reset. (Other error bits reset.)	MERR IWA IBR
Mode code command word is followed by a contiguous data word	No Status Word transmit. Set the Message Error (ME) status bit.	DBAC bit set. BCAST bit reset. DPB bit toggles.	MERR bit set. WCTERR bit set. BUSID bit updated. ILCMD, RTRT bits reset. (Other error bits reset.)	MERR IWA
Invalid command word. OR T/R bit equals 0 and UMCINV bit in the RT Configuration Register equals 1 ***	No terminal response, the message is ignored. No Status Word change. (MC0 is not ndefined when T/R bit equals 0)	No Change	No Message Info Word is written	None

* Command is illegal but terminal is not using "illegal command detection" (in form response).

** Command is illegal and terminal is using "illegal command detection"

*** Undefined mode command rendered invalid by UMCINV option bit. Command's bit in Illegalization Table is "don't care".

HI-6130, HI-6131

Circumstances for Received Message	Terminal Response to Received Command	Bits Updated in Descriptor Control Word	Bits Updated in Data Buffer Msg Info Word	Interrupt Options
T/ \bar{R} bit equals 0 and UMCINV bit in the RT Configuration Register equals 0. Illegalization Table bit equals 0 *	Respond "In form": Reset Message Error (ME) status and transmit Status Word.	DBAC bit set. BCAST bit reset. DPB bit toggles.	Normal CS update: BUSID bit updated. MERR bit reset. ILCMD bit reset. RTRT bit reset. (All error bits reset.)	IWA IBR
T/ \bar{R} bit equals 0 and UMCINV bit in the RT Configuration Register equals 0. Illegalization Table bit equals 1 **	Set Message Error (ME) status and transmit Status Word.	DBAC bit set. BCAST bit reset. DPB bit toggles.	ILCMD bit set. MERR bit set. BUSID bit updated. RTRT bit reset. (Other error bits reset.)	ILCMD IWA IBR

* Command is illegal but terminal is not using "illegal command detection" (in form response).

** Command is illegal and terminal is using "illegal command detection"

HI-6130, HI-6131

Circumstances for Received Message	Terminal Response to Received Command	Bits Updated in Descriptor Control Word	Bits Updated in Data Buffer Msg Info Word	Interrupt Options
SYNCHRONIZE WITHOUT DATA (MC1): Mode code command with mode code 00001 and T/R bit equals 1	Default response: Reset Message Error (ME) status then transmit Status Word. If broadcast, set the Status Word BCR bit and suppress Status Word transmit. Reset the Time Tag counter to 0x0000.	DBAC bit set. BCAST bit updated. DPB bit toggles.	Normal update: BUSID bit updated. MERR bit reset. ILCMD bit reset. RTRT bit reset. (All error bits reset.)	IWA IBR
MC1 EXCEPTIONS:				
Invalid command word. OR T/R bit equals 0 and UMCINV bit in the RT Configuration Register equals 1 ***	No terminal response, the message is ignored. No Status Word change. (mode code is undefined when T/R bit equals 0)	No Change	No Message Info Word is written	None
T/R bit equals 0 AND UMCINV bit in the RT Configuration Register equals 0. The Illegalization Table bit equals 0 *	Respond "In form": Reset Message Error (ME) status. If not broadcast, transmit Status Word. If broadcast, set the BCR status bit and suppress status response. The Time Tag counter is not reset.	DBAC bit set. BCAST bit updated. DPB bit toggles.	Normal update: BUSID bit updated. MERR bit reset. ILCMD bit reset. RTRT bit reset. (All error bits reset.)	IWA IBR
T/R bit equals 0 AND UMCINV bit in the RT Configuration Register equals 0. The Illegalization Table bit equals 1 **	Set Message Error (ME) status. If not broadcast, transmit Status Word. If broadcast, also set Status Word BCR bit and suppress Status response. The Time Tag counter is not reset.	DBAC bit set. BCAST bit updated. DPB bit toggles.	ILCMD bit set. MERR bit set. BUSID bit updated. RTRT bit reset. (Other error bits reset.)	ILCMD IWA IBR
Mode code command word is followed by a contiguous data word	No Status Word transmit. Set the Message Error (ME) status bit.	DBAC bit set. BCAST bit updated. DPB bit toggles.	MERR bit set. WCTERR bit set. BUSID bit updated. ILCMD bit reset. RTRT bit reset. (Other error bits reset.)	MERR IWA

* Command is illegal but terminal is not using "illegal command detection" (in form response).

** Command is illegal and terminal is using "illegal command detection"

*** Undefined mode command rendered invalid by UMCINV option bit. Command's bit in Illegalization Table is "don't care".

HI-6130, HI-6131

Circumstances for Received Message	Terminal Response to Received Command	Bits Updated in Descriptor Control Word	Bits Updated in Data Buffer Msg Info Word	Interrupt Options
TRANSMIT STATUS (MC2): Mode code command with mode code 00010 and T/\bar{R} bit equals 1	No Status Word updates, Transmit Status from last valid command (assuming last command was not a "Transmit Status" or a "Transmit last Command" mode command.	DBAC bit set. BCAST bit reset. DPB bit toggles.	Normal CS update: BUSID bit updated. MERR bit reset. ILCMD bit reset. RTRT bit reset. (All error bits reset.)	IWA
MC2 EXCEPTIONS:				
Broadcast address RT31 (broadcast not allowed)	No Status Word transmit. Set the Message Error (ME) and BCR status bits.	DBAC bit set. BCAST bit set. DPB bit toggles.	MERR bit set. BUSID bit updated. ILCMD bit reset. RTRT bit reset. (Other error bits reset.)	MERR IWA IBR
Invalid command word. OR T/\bar{R} bit equals 0 and UMCINV bit in the RT Configuration Register equals 1 ***	No terminal response, the message is ignored. No Status Word change. (mode code is undefined when T/\bar{R} bit equals 0)	No Change	No Message Info Word is written	None
T/\bar{R} bit equals 0 AND UMCINV bit in the RT Configuration Register equals 0 The Illegalization Table bit equals 0 *	Respond "In form": Reset Message Error (ME) status. If not broadcast, transmit Status Word. If broadcast, set the BCR status bit and suppress status response. Time Tag counter is not reset.	DBAC bit set. BCAST bit updated. DPB bit toggles.	Normal CS update: BUSID bit updated. MERR bit reset. ILCMD bit reset. RTRT bit reset. (All error bits reset.)	IWA IBR
T/\bar{R} bit equals 0 AND UMCINV bit in the RT Configuration Register equals 0 The Illegalization Table bit equals 1 **	Set Message Error (ME) status. If not broadcast, transmit Status Word. If broadcast, also set Status Word BCR bit and suppress Status response.	DBAC bit set. BCAST bit updated. DPB bit toggles.	ILCMD bit set. MERR bit set. BUSID bit updated. RTRT bit reset. (Other error bits reset.)	ILCMD IWA IBR
Mode code command word is followed by a contiguous data word	No Status Word transmit. Set the Message Error (ME) status bit.	DBAC bit set. BCAST bit reset. DPB bit toggles.	MERR bit set. WCTERR bit set. ILCMD bit reset. RTRT bit reset. (Other error bits reset.)	MERR IWA

* Command is illegal but terminal is not using "illegal command detection" (in form response).

** Command is illegal and terminal is using "illegal command detection"

*** Undefined mode command rendered invalid by UMCINV option bit. Command's bit in Illegalization Table is "don't care".

HI-6130, HI-6131

Circumstances for Received Message	Terminal Response to Received Command	Bits Updated in Descriptor Control Word	Bits Updated in Data Buffer Msg Info Word	Interrupt Options
INITIATE SELF TEST (MC3): Mode code command with mode code 00011 and T/\bar{R} bit equals 1	Default response: Reset Message Error (ME) status then transmit Status Word. If broadcast, set the Status Word BCR bit and suppress status transmit. Host should initiate self-test then update Built-In Test word at shared RAM address 0x0093. Resume terminal execution.	DBAC bit reset. BCAST bit updated. DPB bit toggles.	Normal CS update: BUSID bit updated. MERR bit reset. ILCMD bit reset. RTRT bit reset. (All error bits reset.)	IWA IBR
MC3 EXCEPTIONS:				
Invalid command word. OR T/\bar{R} bit equals 0 and UMCINV bit in the RT Configuration Register equals 1 ***	No terminal response, the message is ignored. No Status Word change. (mode code is undefined when T/\bar{R} bit equals 0)	No Change	No Message Info Word is written	None
T/\bar{R} bit equals 0 AND UMCINV bit in the RT Configuration Register equals 0. The Illegalization Table bit equals 0 *	Respond "In form": Reset Message Error (ME) status. If not broadcast, transmit Status Word. If broadcast, set the BCR status bit and suppress status response.	DBAC bit set. BCAST bit updated. DPB bit toggles.	Normal CS update: BUSID bit updated. MERR bit reset. ILCMD bit reset. RTRT bit reset. (Other error bits reset.)	IWA IBR
T/\bar{R} bit equals 0 AND UMCINV bit in the RT Configuration Register equals 0. The Illegalization Table bit equals 1 **	Set Message Error (ME) status. If not broadcast, transmit Status Word. If broadcast, also set Status Word BCR bit and suppress Status response.	DBAC bit set. BCAST bit updated. DPB bit toggles.	ILCMD bit set. MERR bit set. BUSID bit updated. RTRT bit reset. (Other error bits reset.)	ILCMD IWA IBR
Mode code command word is followed by a contiguous data word	No Status Word transmit. Set the Message Error (ME) status bit.	DBAC bit set. BCAST bit reset. DPB bit toggles.	MERR bit set. WCTERR bit set. BUSID bit updated. ILCMD bit reset. RTRT bit reset. (Other error bits reset.)	MERR IWA

* Command is illegal but terminal is not using "illegal command detection" (in form response).

** Command is illegal and terminal is using "illegal command detection"

*** Undefined mode command rendered invalid by UMCINV option bit. Command's bit in Illegalization Table is "don't care".

HI-6130, HI-6131

Circumstances for Received Message	Terminal Response to Received Command	Bits Updated in Descriptor Control Word	Bits Updated in Data Buffer Msg Info Word	Interrupt Options
TRANSMITTER SHUTDOWN (MC4): Mode code command with mode code 00100 and T/\bar{R} bit equals 1	Default response: Reset Message Error (ME) status then transmit Status Word. If broadcast, set Status Word BCR bit and suppress status. transmit. After Status transmission, inhibit the inactive bus:	DBAC bit reset. BCAST bit updated. DPB bit toggles.	Normal CS update: BUSID bit updated. MERR bit reset. ILCMD bit reset. RTRT bit reset. (All error bits reset.)	IWA IBR
<p>The device automatically shuts down either transmit and receive or transmit only for the inactive bus, depending on the state of the BSDTXO bit in the Master Configuration Register. Refer to the description of the AUTOBSD bit in the RT Configuration Register for further information. When MC4 results in transmitter shutdown, the condition is reflected by assertion of a TXASD or TXBSD bit in the corresponding RT Built-In Test Register at register address 0x001E (RT1) or address 0x0027 (RT2). If BSDTXO equals logic 0, an RXASD or RXBSD bit will also be asserted, indicating full bus shutdown (transmit and receive). Once shutdown, the inactive bus transmitter (or transmitter and receiver) can be reactivated by an "Override Transmitter Shutdown" MC5 or MC21 or "Reset Remote Terminal" MC8 mode code command, or by software reset (initiated by setting the RT1RESET or RT2RESET bit in the Master Status and Reset Register 0x0001) or by hardware reset initiated by asserting the \overline{MR} Master Reset input pin.</p>				
MC4 EXCEPTIONS:				
Invalid command word. OR T/\bar{R} bit equals 0 and UMCINV bit in the RT Configuration Register equals 1 ***	No terminal response, the message is ignored. No Status Word change. (mode code is undefined when T/\bar{R} bit equals 0)	No Change	No Message Info Word is written	None
T/\bar{R} bit equals 0 AND UMCINV bit in the RT Configuration Register equals 0. The Illegalization Table bit equals 0 *	Respond "In form": Reset Message Error (ME) status. If not broadcast, transmit Status Word. If broadcast, set the BCR status bit and suppress status response.	DBAC bit set. BCAST bit updated. DPB bit toggles.	Normal CS update: BUSID bit updated. MERR bit reset. ILCMD bit reset. RTRT bit reset. (Other error bits reset.)	IWA IBR
T/\bar{R} bit equals 0 AND UMCINV bit in the RT Configuration Register equals 0. The Illegalization Table bit equals 1 **	Set Message Error (ME) status. If not broadcast, transmit Status Word. If broadcast, also set Status Word BCR bit and suppress Status response.	DBAC bit set. BCAST bit updated. DPB bit toggles.	ILCMD bit set. MERR bit set. BUSID bit updated. RTRT bit reset. (Other error bits reset.)	ILCMD IWA IBR
Mode code command word is followed by a contiguous data word	No Status Word transmit. Set the Message Error (ME) status bit.	DBAC bit set. BCAST bit reset. DPB bit toggles.	MERR bit set. WCTERR bit set. BUSID bit updated. ILCMD bit reset. RTRT bit reset. (Other error bits reset.)	MERR IWA

* Command is illegal but terminal is not using "illegal command detection" (in form response).

** Command is illegal and terminal is using "illegal command detection"

*** Undefined mode command rendered invalid by UMCINV option bit. Command's bit in Illegalization Table is "don't care".

HI-6130, HI-6131

Circumstances for Received Message	Terminal Response to Received Command	Bits Updated in Descriptor Control Word	Bits Updated in Data Buffer Msg Info Word	Interrupt Options
OVERRIDE TRANSMITTER SHUTDOWN (MC5): Mode code command with mode code 00101 and T/R bit equals 1	Default response: Reset Message Error (ME) status then transmit Status Word. If broadcast, set the Status Word BCR bit and suppress status transmit. This command is only used with dual redundant buses. After Status transmission, reactivate inactive bus:	DBAC bit reset. BCAST bit updated. DPB bit toggles.	Normal CS update: BUSID bit updated. MERR bit reset. ILCMD bit reset. RTRT bit reset. (All error bits reset.)	IWA IBR
The device automatically re-enables transmit and receive for the inactive bus, without considering BSDTXO bit status in the Master Configuration Register. The device affirms re-enabled bus status by resetting all four TXASD, TXBSD, RXASD and RXBSD “shutdown status” bits in the Built-In Test Register at register address 0x001E for RT1 or 0x0027 for RT2. Note: <i>If the TXINHA or TXINHB input pins are asserted, the device cannot override the resulting hardware transmit inhibit for the affected bus. In this case, the corresponding TXASD and/or TXBSD bits remain high. See Built-In Test Register description for further information.</i>				
MC5 EXCEPTIONS:				
Invalid command word. OR T/R bit equals 0 and UMCINV bit in the RT Configuration Register equals 1 ***	No terminal response, the message is ignored. No Status Word change. (mode code is undefined when T/R bit equals 0)	No Change	No Message Info Word is written	None
T/R bit equals 0 AND UMCINV bit in the RT Configuration Register equals 0. The Illegalization Table bit equals 0 *	Respond “In form”: Reset Message Error (ME) status. If not broadcast, transmit Status Word. If broadcast, set the BCR status bit and suppress status response.	DBAC bit set. BCAST bit updated. DPB bit toggles.	Normal CS update: BUSID bit updated. MERR bit reset. ILCMD bit reset. RTRT bit reset. (Other error bits reset.)	IWA IBR
T/R bit equals 0 AND UMCINV bit in the RT Configuration Register equals 0. The Illegalization Table bit equals 1 **	Set Message Error (ME) status. If not broadcast, transmit Status Word. If broadcast, also set Status Word BCR bit and suppress Status response.	DBAC bit set. BCAST bit updated. DPB bit toggles.	ILCMD bit set. MERR bit set. BUSID bit updated. RTRT bit reset. (Other error bits reset.)	ILCMD IWA IBR
Mode code command word is followed by a contiguous data word	No Status Word transmit. Set the Message Error (ME) status bit.	DBAC bit set. BCAST bit reset. DPB bit toggles.	MERR bit set. WCTERR bit set. BUSID bit updated. ILCMD bit reset. RTRT bit reset. (Other error bits reset.)	MERR IWA

* Command is illegal but terminal is not using “illegal command detection” (in form response).

** Command is illegal and terminal is using “illegal command detection”

*** Undefined mode command rendered invalid by UMCINV option bit. Command's bit in Illegalization Table is “don't care”.

HI-6130, HI-6131

Circumstances for Received Message	Terminal Response to Received Command	Bits Updated in Descriptor Control Word	Bits Updated in Data Buffer Msg Info Word	Interrupt Options
INHIBIT TERMINAL FLAG BIT (MC6): Mode code command with mode code 00110 and T/R bit equals 1	Default response: Reset Message Error (ME) status then transmit Status Word. If broadcast, set the Status Word BCR bit and suppress status transmit.	DBAC bit reset. BCAST bit updated. DPB bit toggles.	Normal CS update: BUSID bit updated. MERR bit reset. ILCMD bit reset. RTRT bit reset. (All error bits reset.)	IWA IBR
<p>The device automatically sets the TF Inhibit bit in the BIT Word register at address 0x0013. While the TF inhibit bit is set, the device disregards assertion of the Terminal Flag (TF) bit in the 1553 Status Bits register (0x0006) and only transmits status with the Terminal Flag status bit reset.</p> <p>Once the Terminal Flag has been inhibited, it can be reactivated by an "Override Inhibit Terminal Flag" MC7 or "Reset Remote Terminal" MC8 mode command, by software reset (asserting the SRST bit in the RT Configuration Register) or by asserting the MR master reset input pin.</p>				
MC6 EXCEPTIONS:				
Invalid command word. OR T/R bit equals 0 and UMCINV bit in the RT Configuration Register equals 1 ***	No terminal response, the message is ignored. No Status Word change. (mode code is undefined when T/R bit equals 0)	No Change	No Message Info Word is written	None
T/R bit equals 0 AND UMCINV bit in the RT Configuration Register equals 0. The Illegalization Table bit equals 0 *	Respond "In form": Reset Message Error (ME) status. If not broadcast, transmit Status Word. If broadcast, set the BCR status bit and suppress status response.	DBAC bit set. BCAST bit updated. DPB bit toggles.	Normal CS update: BUSID bit updated. MERR bit reset. ILCMD bit reset. RTRT bit reset. (Other error bits reset.)	IWA IBR
T/R bit equals 0 AND UMCINV bit in the RT Configuration Register equals 0. The Illegalization Table bit equals 1 **	Set Message Error (ME) status. If not broadcast, transmit Status Word. If broadcast, also set Status Word BCR bit and suppress Status response.	DBAC bit set. BCAST bit updated. DPB bit toggles.	ILCMD bit set. MERR bit set. BUSID bit updated. RTRT bit reset. (Other error bits reset.)	ILCMD IWA IBR
Mode code command word is followed by a contiguous data word	No Status Word transmit. Set the Message Error (ME) status bit.	DBAC bit set. BCAST bit reset. DPB bit toggles.	MERR bit set. WCTERR bit set. BUSID bit updated. ILCMD bit reset. RTRT bit reset. (Other error bits reset.)	MERR IWA

* Command is illegal but terminal is not using "illegal command detection" (in form response).

** Command is illegal and terminal is using "illegal command detection"

*** Undefined mode command rendered invalid by UMCINV option bit. Command's bit in Illegalization Table is "don't care".

HI-6130, HI-6131

Circumstances for Received Message	Terminal Response to Received Command	Bits Updated in Descriptor Control Word	Bits Updated in Data Buffer Msg Info Word	Interrupt Options
OVERRIDE INHIBIT TERMINAL FLAG BIT (MC7): Mode code command with mode code 00111 and T/R̄ bit equals 1	Default response: Reset Message Error (ME) status then transmit Status Word. If broadcast, set the Status Word BCR bit and suppress status transmit.	DBAC bit reset. BCAST bit updated. DPB bit toggles.	Normal CS update: BUSID bit updated. MERR bit reset. ILCMD bit reset. RTRT bit reset. (All error bits reset.)	IWA IBR
The device automatically resets the TF Inhibit bit in the BIT Word register at address 0x0013. While the TF inhibit bit is reset, the device transmits status with the Terminal Flag status bit set if the Terminal Flag (TF) bit is asserted in the 1553 Status Bits register (0x0006).				
MC7 EXCEPTIONS:				
Invalid command word. OR T/R̄ bit equals 0 and UMCINV bit in the RT Configuration Register equals 1 ***	No terminal response, the message is ignored. No Status Word change. (mode code is undefined when T/R̄ bit equals 0)	No Change	No Message Info Word is written	None
T/R̄ bit equals 0 AND UMCINV bit in the RT Configuration Register equals 0. The Illegalization Table bit equals 0 *	Respond "In form": Reset Message Error (ME) status. If not broadcast, transmit Status Word. If broadcast, set the BCR status bit and suppress status response.	DBAC bit set. BCAST bit updated. DPB bit toggles.	Normal CS update: BUSID bit updated. MERR bit reset. ILCMD bit reset. RTRT bit reset. (Other error bits reset.)	IWA IBR
T/R̄ bit equals 0 AND UMCINV bit in the RT Configuration Register equals 0. The Illegalization Table bit equals 1 **	Set Message Error (ME) status. If not broadcast, transmit Status Word. If broadcast, also set Status Word BCR bit and suppress Status response.	DBAC bit set. BCAST bit updated. DPB bit toggles.	ILCMD bit set. MERR bit set. BUSID bit updated. RTRT bit reset. (Other error bits reset.)	ILCMD IWA IBR
Mode code command word is followed by a contiguous data word	No Status Word transmit. Set the Message Error (ME) status bit.	DBAC bit set. BCAST bit reset. DPB bit toggles.	MERR bit set. WCTERR bit set. BUSID bit updated. ILCMD bit reset. RTRT bit reset. (Other error bits reset.)	MERR IWA

* Command is illegal but terminal is not using "illegal command detection" (in form response).

** Command is illegal and terminal is using "illegal command detection"

*** Undefined mode command rendered invalid by UMCINV option bit. Command's bit in Illegalization Table is "don't care".

HI-6130, HI-6131

Circumstances for Received Message	Terminal Response to Received Command	Bits Updated in Descriptor Control Word	Bits Updated in Data Buffer Msg Info Word	Interrupt Options
RESET REMOTE TERMINAL (MC8): Mode code command with mode code 01000 and T/R bit equals 1	Default response: Reset Message Error (ME) status. If not broadcast, transmit Status Word.	DBAC bit reset. BCAST bit updated. DPB bit toggles.	Normal CS update: BUSID bit updated. MERR bit reset. ILCMD bit reset. RTRT bit reset. (All error bits reset.)	IWA IBR
<p>After Status transmission, the device automatically resets the status Message Error (ME) Busy and Broadcast Command received (BCR) bits in its internal status register. The BIT Word at shared RAM address is reset to 0x0000. If either transmitter was shutdown, the shutdown condition is overridden. If the Terminal Flag (TF) status bit was inhibited, the inhibit is reset.</p> <p>This command does not reset any of the host-programmed registers that configure the terminal for operation. To complete the terminal reset process, the host must assert either MR hardware master reset (with or without auto-initialization) or assert the SRST bit in the RT Configuration Register to execute software reset. See following section entitled Reset and Initialization for additional details. Because MC8 requires host interaction, most applications will probably utilize the IWA interrupt to alert the host when received.</p>				
MC8 EXCEPTIONS:				
Invalid command word. OR T/R bit equals 0 and UMCINV bit in the RT Configuration Register equals 1 ***	No terminal response, the message is ignored. No Status Word change. (mode code is undefined when T/R bit equals 0)	No Change	No Message Info Word is written	None
T/R bit equals 0 AND UMCINV bit in the RT Configuration Register equals 0. The Illegalization Table bit equals 0 *	Respond "In form": Reset Message Error (ME) status. If not broadcast, transmit Status Word. If broadcast, set the BCR status bit and suppress status response.	DBAC bit set. BCAST bit updated. DPB bit toggles.	Normal CS update: BUSID bit updated. MERR bit reset. ILCMD bit reset. RTRT bit reset. (Other error bits reset.)	IWA IBR
T/R bit equals 0 AND UMCINV bit in the RT Configuration Register equals 0. The Illegalization Table bit equals 1 **	Set Message Error (ME) status. If not broadcast, transmit Status Word. If broadcast, also set Status Word BCR bit and suppress Status response.	DBAC bit set. BCAST bit updated. DPB bit toggles.	ILCMD bit set. MERR bit set. BUSID bit updated. RTRT bit reset. (Other error bits reset.)	ILCMD IWA IBR
Mode code command word is followed by a contiguous data word	No Status Word transmit. Set the Message Error (ME) status bit.	DBAC bit set. BCAST bit reset. DPB bit toggles.	MERR bit set. GAPERR bit set. BUSID bit updated. ILCMD bit reset. RTRT bit reset. (Other error bits reset.)	MERR IWA

* Command is illegal but terminal is not using "illegal command detection" (in form response).

** Command is illegal and terminal is using "illegal command detection"

*** Undefined mode command rendered invalid by UMCINV option bit. Command's bit in Illegalization Table is "don't care".

HI-6130, HI-6131

Circumstances for Received Message	Terminal Response to Received Command	Bits Updated in Descriptor Control Word	Bits Updated in Data Buffer Msg Info Word	Interrupt Options
<p>RESERVED MODE CODES MC9 - MC15: Mode code command with mode codes 01001 through 01111 and T/\bar{R} bit equals 1</p> <p>The mode code's bit in Illegalization Table equals 0 *</p> <p>OR The mode code's bit in Illegalization Table equals 1 **</p>	<p>The reserved mode code commands do not have defined terminal actions. Host must initialize device to respond using either of the two following methods:</p> <p>RT is not using "illegal command detection." Respond "in form": Reset Message Error (ME) status and transmit Status Word.</p> <p>OR RT is using "illegal command detection" and mode code is illegalized. Set Message Error (ME) status and transmit Status Word.</p>	<p>DBAC bit set. BCAST bit updated. DPB bit toggles.</p> <p>DBAC bit set. BCAST bit updated. DPB bit toggles.</p>	<p>Normal CS update: BUSID bit reset. MERR bit reset. ILCMD bit reset. RTRT bit reset. (All error bits reset.)</p> <p>ILCMD bit set. BUSID bit updated. MERR bit set. RTRT bit reset. (Other error bits reset.)</p>	<p>IWA</p> <p>ILCMD IWA</p>
MC9 - MC15 EXCEPTIONS:				
<p>Invalid command word. OR T/\bar{R} bit equals 0 and UMCINV bit in the RT Config. Reg. equals 1 ***</p>	<p>No terminal response, the message is ignored. No Status Word change. (mode code is undefined when T/\bar{R} bit equals 0)</p>	<p>No Change</p>	<p>No Message Info Word is written</p>	<p>None</p>
<p>T/\bar{R} bit equals 0 AND UMCINV bit in the RT Config. Reg. equals 0. The Illegalization Table bit equals 0 *</p>	<p>Respond "In form": Reset Message Error (ME) status. If not broadcast, transmit Status Word. If broadcast, set the BCR status bit and suppress status response.</p>	<p>DBAC bit set. BCAST bit updated. DPB bit toggles.</p>	<p>Normal CS update: BUSID bit updated. MERR bit reset. ILCMD bit reset. RTRT bit reset. (Other error bits reset.)</p>	<p>IWA IBR</p>
<p>T/\bar{R} bit equals 0 AND UMCINV bit in the RT Config. Reg. equals 0. The Illegalization Table bit equals 1 **</p>	<p>Set Message Error (ME) status. If not broadcast, transmit Status Word. If broadcast, also set Status Word BCR bit and suppress Status response.</p>	<p>DBAC bit set. BCAST bit updated. DPB bit toggles.</p>	<p>ILCMD bit set. MERR bit set. BUSID bit updated. RTRT bit reset. (Other error bits reset.)</p>	<p>ILCMD IWA IBR</p>
<p>Mode code command word is followed by a contiguous data word</p>	<p>No Status Word transmit. Set the Message Error (ME) status bit.</p>	<p>DBAC bit set. BCAST bit reset. DPB bit toggles.</p>	<p>MERR bit set. WCTERR bit set. BUSID bit updated. ILCMD bit reset. RTRT bit reset. (Other error bits reset.)</p>	<p>MERR IWA</p>

* Command is illegal but terminal is not using "illegal command detection" (in form response).

** Command is illegal and terminal is using "illegal command detection"

*** Undefined mode command rendered invalid by UMCINV option bit. Command's bit in Illegalization Table is "don't care".

HI-6130, HI-6131

Circumstances for Received Message	Terminal Response to Received Command	Bits Updated in Descriptor Control Word	Bits Updated in Data Buffer Msg Info Word	Interrupt Options
TRANSMIT VECTOR WORD (MC16): Mode code command with mode code 10000 and T/\bar{R} bit equals 1	Default CS response: Reset Message Error (ME) and BCR status bits. then transmit Status Word followed by the data word stored in the assigned index or ping-pong data buffer (or in Descriptor Word 4 for SMCP Simplified Mode Command Processing).	DBAC bit reset. BCAST bit reset. DPB bit toggles.	Normal CS update: BUSID bit updated. MERR bit reset. ILCMD bit reset. RTRT bit reset. (All error bits reset.)	IWA
MC16 EXCEPTIONS:				
Broadcast address RT31 (broadcast not allowed)	No Status Word transmit. Set the Message Error (ME) and BCR status bits.	DBAC bit set. BCAST bit set. DPB toggles.	MERR bit set. BUSID bit updated. ILCMD bit reset. RTRT bit reset. (Other error bits reset.)	MERR IWA IBR
Invalid command word. OR T/\bar{R} bit equals 0 and UMCINV bit in the RT Configuration Register equals 1 ***	No terminal response, the message is ignored. No Status Word change. (mode code is undefined when T/\bar{R} bit equals 0)	No Change	No Message Info Word is written	None
T/\bar{R} bit equals 0 AND UMCINV bit in the RT Configuration Register equals 0. The Illegalization Table bit equals 0 *	Respond "In form": Reset Message Error (ME) status. If not broadcast, transmit Status Word. If broadcast, set the BCR status bit and suppress status response.	DBAC bit set. BCAST bit updated. DPB bit toggles.	Normal CS update: BUSID bit updated. MERR bit reset. ILCMD bit reset. RTRT bit reset. (Other error bits reset.)	IWA IBR
T/\bar{R} bit equals 0 AND UMCINV bit in the RT Configuration Register equals 0. The Illegalization Table bit equals 1 **	Set Message Error (ME) status. If not broadcast, transmit Status Word. If broadcast, also set Status Word BCR bit and suppress Status response.	DBAC bit set. BCAST bit updated. DPB bit toggles.	ILCMD bit set. MERR bit set. BUSID bit updated. RTRT bit reset. (Other error bits reset.)	ILCMD IWA IBR
Mode code command word is followed by a contiguous data word	No Status Word transmit. Set the Message Error (ME) status bit. If broadcast, set the BCR status bit.	DBAC bit set. BCAST bit reset. DPB bit toggles.	MERR bit set. WCTERR bit set. BUSID bit updated. ILCMD bit reset. RTRT bit reset. (Other error bits reset.)	MERR IWA IBR

* Command is illegal but terminal is not using "illegal command detection" (in form response).

** Command is illegal and terminal is using "illegal command detection"

*** Undefined mode command rendered invalid by UMCINV option bit. Command's bit in Illegalization Table is "don't care".

HI-6130, HI-6131

Circumstances for Received Message	Terminal Response to Received Command	Bits Updated in Descriptor Control Word	Bits Updated in Data Buffer Msg Info Word	Interrupt Options
SYNCHRONIZE WITH DATA WORD (MC17): Mode code command with mode code 10001 and T/\bar{R} bit equals 1	Default response: Reset Message Error (ME) status. and transmit Status Word. If broadcast, set BCR status bit and suppress Status response.	DBAC bit reset. BCAST bit reset. DPB bit toggles.	Normal CS update: BUSID bit updated. MERR bit reset. ILCMD bit reset. RTRT bit reset. (All error bits reset.)	IWA
Device stores received data word in the assigned ping-pong or index data buffer (or in Descriptor Word 4 for SMCP Simplified Mode Command Processing). RT Configuration Register MCOPT2 and MCOPT3 bits allow automatic Time-Tag count loading using the data word received. If MCOPT2 equals 1, the received data word is automatically loaded to the Time-Tag counter if the low order bit of the received data word (bit 0 equals 0. If MCOPT3 equals 1, the received data word is automatically loaded to the Time-Tag counter if the low order bit of the received data word (bit 0) equals 1. If both bits are set, the received data word is unconditionally loaded into the Time-Tag counter. For non-broadcast commands, counter load occurs before status word transmission.				
MC17 EXCEPTIONS:				
Invalid command word. OR T/\bar{R} bit equals 0 and UMCINV bit in the RT Config. Reg. equals 1 ***	No terminal response, the message is ignored. No Status Word change. (mode code is undefined when T/\bar{R} bit equals 0)	No Change	No Message Info Word is written	None
T/\bar{R} bit equals 0 AND UMCINV bit in the RT Config. Reg. equals 0. The Illegalization Table bit equals 0 *	Respond "In form": Reset Message Error (ME) status. If not broadcast, transmit Status Word. If broadcast, set the BCR status bit and suppress status response.	DBAC bit set. BCAST bit updated. DPB bit toggles.	Normal CS update: BUSID bit updated. MERR bit reset. ILCMD bit reset. RTRT bit reset. (Other error bits reset.)	IWA IBR
T/\bar{R} bit equals 0 AND UMCINV bit in the RT Config. Reg. equals 0. The Illegalization Table bit equals 1 **	No Status Word transmit. Set the Message Error (ME) status bit. If broadcast, set the BCR status bit.	DBAC bit set. BCAST bit updated. DPB bit toggles.	ILCMD bit set. MERR bit set. BUSID bit updated. RTRT bit reset. (Other error bits reset.)	ILCMD IWA IBR
Mode code command word not followed by a contiguous data word (missing data word)	No Status Word transmit. Set the Message Error (ME) status bit. If broadcast, set the BCR status bit.	DBAC bit set. BCAST bit reset. DPB bit toggles.	MERR bit set. WCTERR bit set. BUSID bit updated. ILCMD bit reset. RTRT bit reset. (Other error bits reset.)	MERR IWA IBR
Mode code command word followed by data word with Manchester encoding or parity error (bad data word)	No Status Word transmit. Set the Message Error (ME) status bit. If broadcast, set the BCR status bit.	DBAC bit set. BCAST bit updated. DPB bit toggles.	MERR bit set. IWDERR bit set. BUSID bit updated. ILCMD bit reset. RTRT bit reset. (Other error bits reset.)	MERR IWA IBR

* Command is illegal but terminal is not using "illegal command detection" (in form response).

** Command is illegal and terminal is using "illegal command detection"

*** Undefined mode command rendered invalid by UMCINV option bit. Command's bit in Illegalization Table is "don't care".

HI-6130, HI-6131

Circumstances for Received Message	Terminal Response to Received Command	Bits Updated in Descriptor Control Word	Bits Updated in Data Buffer Msg Info Word	Interrupt Options
TRANSMIT LAST COMMAND (MC18): Mode code command with mode code 10010 and T/\bar{R} bit equals 1	Default response: Status is not updated. Transmit Status Word from the previous command, with data word containing the last valid command word (assuming it was not a "Transmit Status" or a "Transmit Last Command" mode command.	DBAC bit reset. BCAST bit reset. DPB bit toggles.	Normal CS update: BUSID bit updated. MERR bit reset. ILCMD bit reset. RTRT bit reset. (All error bits reset.)	IWA
Transmitted data word is automatically provided from an internal register, and is copied to assigned index or ping-pong buffer (or to Descriptor Word 4 for SMCP Simplified Mode Command Processing)				
MC18 EXCEPTIONS:				
Broadcast address RT31 (broadcast not allowed)	No Status Word transmit. Set the Message Error (ME) and BCR status bits.	DBAC bit set. BCAST bit set. DPB toggles.	MERR bit set. BUSID bit updated. ILCMD bit reset. RTRT bit reset. (Other error bits reset.)	MERR IWA IBR
Invalid command word. OR T/\bar{R} bit equals 0 and UMCINV bit in the RT Configuration Register equals 1 ***	No terminal response, the message is ignored. No Status Word change. (mode code is undefined when T/\bar{R} bit equals 0)	No Change	No Message Info Word is written	None
T/\bar{R} bit equals 0 AND UMCINV bit in the RT Configuration Register equals 0. The Illegalization Table bit equals 0 *	Respond "In form": Reset Message Error (ME) status. If not broadcast, transmit Status Word. If broadcast, set the BCR status bit and suppress status response.	DBAC bit set. BCAST bit updated. DPB bit toggles.	Normal CS update: BUSID bit updated. MERR bit reset. ILCMD bit reset. RTRT bit reset. (Other error bits reset.)	IWA IBR
T/\bar{R} bit equals 0 AND UMCINV bit in the RT Configuration Register equals 0. The Illegalization Table bit equals 1 **	Set Message Error (ME) status. If not broadcast, transmit Status Word. If broadcast, also set Status Word BCR bit and suppress Status response.	DBAC bit set. BCAST bit updated. DPB bit toggles.	ILCMD bit set. MERR bit set. BUSID bit updated. RTRT bit reset. (Other error bits reset.)	ILCMD IWA IBR
Mode code command word is followed by a contiguous data word	No Status Word transmit. Set the Message Error (ME) status bit. If broadcast, set the BCR status bit.	DBAC bit set. BCAST bit reset. DPB bit toggles.	MERR bit set. WCTERR bit set. BUSID bit updated. ILCMD bit reset. RTRT bit reset. (Other error bits reset.)	MERR IWA IBR

* Command is illegal but terminal is not using "illegal command detection" (in form response).

** Command is illegal and terminal is using "illegal command detection"

*** Undefined mode command rendered invalid by UMCINV option bit. Command's bit in Illegalization Table is "don't care".

HI-6130, HI-6131

Circumstances for Received Message	Terminal Response to Received Command	Bits Updated in Descriptor Control Word	Bits Updated in Data Buffer Msg Info Word	Interrupt Options
TRANSMIT BIT WORD (MC19): Mode code command with mode code 10011 and T/\bar{R} bit equals 1	Default response: Reset Message Error (ME) and BCR status bits. then transmit Status Word followed by data word from either BIT Word Register or Alternate BIT Word Register, depending on Configuration Reg. 2 option bit ALTBITW.	DBAC bit reset. BCAST bit reset. DPB bit toggles.	Normal CS update: BUSID bit reset. MERR bit reset. ILCMD bit reset. RTRT bit reset. (All error bits reset.)	IWA
Transmitted data word is automatically copied to the assigned index or ping-pong buffer (or to Descriptor Word 4 for SMCP Simplified Mode Command Processing)				
MC19 EXCEPTIONS:				
Broadcast address RT31 (broadcast not allowed)	No Status Word transmit. Set the Message Error (ME) and BCR status bits.	DBAC bit set. BCAST bit set. DPB toggles.	MERR bit set. BUSID bit updated. ILCMD bit reset. RTRT bit reset. (Other error bits reset.)	MERR IWA IBR
Invalid command word. OR T/\bar{R} bit equals 0 and UMCINV bit in the RT Configuration Register equals 1 ***	No terminal response, the message is ignored. No Status Word change. (mode code is undefined when T/\bar{R} bit equals 0)	No Change	No Message Info Word is written	None
T/\bar{R} bit equals 0 AND UMCINV bit in the RT Configuration Register equals 0. The Illegalization Table bit equals 0 *	Respond "In form": Reset Message Error (ME) status. If not broadcast, transmit Status Word. If broadcast, set the BCR status bit and suppress status response.	DBAC bit set. BCAST bit updated. DPB bit toggles.	Normal CS update: BUSID bit updated. MERR bit reset. ILCMD bit reset. RTRT bit reset. (Other error bits reset.)	IWA IBR
T/\bar{R} bit equals 0 AND UMCINV bit in the RT Configuration Register equals 0. The Illegalization Table bit equals 1 **	Set Message Error (ME) status. If not broadcast, transmit Status Word. If broadcast, also set Status Word BCR bit and suppress Status response.	DBAC bit set. BCAST bit updated. DPB bit toggles.	ILCMD bit set. MERR bit set. BUSID bit updated. RTRT bit reset. (Other error bits reset.)	ILCMD IWA IBR
Mode code command word is followed by a contiguous data word	No Status Word transmit. Set the Message Error (ME) status bit. If broadcast, set the BCR status bit.	DBAC bit set. BCAST bit reset. DPB bit toggles.	MERR bit set. WCTERR bit set. BUSID bit updated. ILCMD bit reset. RTRT bit reset. (Other error bits reset.)	MERR IWA IBR

* Command is illegal but terminal is not using "illegal command detection" (in form response).

** Command is illegal and terminal is using "illegal command detection"

*** Undefined mode command rendered invalid by UMCINV option bit. Command's bit in Illegalization Table is "don't care".

HI-6130, HI-6131

Circumstances for Received Message	Terminal Response to Received Command	Bits Updated in Descriptor Control Word	Bits Updated in Data Buffer Msg Info Word	Interrupt Options
<p>SELECTED TRANSMITTER SHUTDOWN (MC20): Mode code command with mode code 10100 and T/R bit equals 1</p>	<p>Default response: Reset Message Error (ME) status, and transmit Status Word. If broadcast, set BCR status bit and suppress Status response. This command is intended for use in 1553 systems with more than one dual redundant bus.</p>	<p>DBAC bit reset. BCAST bit reset. DPB bit toggles.</p>	<p>Normal CS update: BUSID bit updated. MERR bit reset. ILCMD bit reset. RTRT bit reset. (All error bits reset.)</p>	<p>IWA</p>
<p>After Status Word transmission, the device stores received data word in the assigned index or ping-pong buffer (or in Descriptor Word 4 if SMCP Simplified Mode Command Processing applies).</p> <p>If the AUTOBSD bit in the RT Configuration Register equals 0, the received data word is compared to the value in the Bus Select Register corresponding to the inactive bus. For example, if the command is received on Bus A, the comparison uses the Bus B Select Register value. If the compared values match, the device automatically shuts down either transmit and receive or transmit only for the inactive bus, depending on the state of the BSDTXO bit in the Master Configuration Register 0x0000. See descriptions for the BSDTXO bit in Master Configuration Register and the AUTOBSD bit in the RT Configuration Register(s) for further information. When a bus transmitter (or transmitter and receiver) is shut down by this mode command, bus status is reflected by assertion of a TXASD or TXBSD bit in the RT Built-In Test Register at register address 0x001E for RT1, 0x0027 for RT2. If BSDTXO equals logic 0, an RXASD or RXBSD bit will also be asserted. See RT Built-In Test Register description for further information.</p> <p>If the AUTOBSD bit in the RT Configuration Register equals 1, the IWA interrupt is typically used to alert the host when an MC20 command is received. The host must evaluate whether the received mode data word matches the bus selection criteria. If bus selection match occurs, the host fulfills bus shutdown command using one of two options:</p> <ol style="list-style-type: none"> set the bus shutdown bit RTINHA or RTINHB for the inactive bus in the RT Configuration Register(s) to inhibit both transmit and receive, <p>OR</p> <ol style="list-style-type: none"> assert the transmit shutdown input pin TXINHA or TXINHB for the inactive bus to inhibit only transmit. The inactive bus receiver remains active; all valid commands are heeded without transmit. This option is rarely applied. <p>Once shutdown, the inactive bus transmitter (or transmitter and receiver) can be reactivated five ways: an "Override Transmitter Shutdown" MC5, a MC21 command with data word that matches "bus select" criteria, a "Reset Remote Terminal" MC8 mode code command, a software reset initiated by setting the RT1RESET or RT2RESET bit in the Master Status and Reset Register 0x0001, or by hardware reset initiated by asserting the MR Master Reset input pin.</p>				
<p>MC20 EXCEPTIONS:</p>				
<p>Invalid command word. OR T/R bit equals 0 and UMCINV bit in the RT Configuration Register equals 1 ***</p>	<p>No terminal response, the message is ignored. No Status Word change. (mode code is undefined when T/R bit equals 0)</p>	<p>No Change</p>	<p>No Message Info Word is written</p>	<p>None</p>

HI-6130, HI-6131

Circumstances for Received Message	Terminal Response to Received Command	Bits Updated in Descriptor Control Word	Bits Updated in Data Buffer Msg Info Word	Interrupt Options
T/ \bar{R} bit equals 0 AND UMCINV bit in the RT Configuration Register equals 0. The Illegalization Table bit equals 0 *	Respond "In form": Reset Message Error (ME) status. If not broadcast, transmit Status Word. If broadcast, set the BCR status bit and suppress status response.	DBAC bit set. BCAST bit updated. DPB bit toggles.	Normal CS update: BUSID bit updated. MERR bit reset. ILCMD bit reset. RTRT bit reset. (Other error bits reset.)	IWA IBR
T/ \bar{R} bit equals 0 AND UMCINV bit in the RT Configuration Register equals 0. The Illegalization Table bit equals 1 **	Set Message Error (ME) status. If not broadcast, transmit Status Word. If broadcast, also set Status Word BCR bit and suppress Status response.	DBAC bit set. BCAST bit updated. DPB bit toggles.	ILCMD bit set. MERR bit set. BUSID bit updated. RTRT bit reset. (Other error bits reset.)	ILCMD IWA IBR
Mode code command word not followed by a contiguous data word (missing data word)	No Status Word transmit. Set the Message Error (ME) status bit. If broadcast, set the BCR status bit.	DBAC bit set. BCAST bit updated. DPB bit toggles.	MERR bit set. WCTERR bit updated. BUSID bit updated. ILCMD bit reset. RTRT bit reset. (Other error bits reset.)	MERR IWA IBR
Mode code command word followed by data word with Manchester encoding or parity error (bad data word)	No Status Word transmit. Set the Message Error (ME) status bit. If broadcast, set the BCR status bit.	DBAC bit set. BCAST bit updated. DPB bit toggles.	MERR bit set. IWDERR bit set. BUSID bit updated. ILCMD bit reset. RTRT bit reset. (Other error bits reset.)	MERR IWA IBR

* Command is illegal but terminal is not using "illegal command detection" (in form response).

** Command is illegal and terminal is using "illegal command detection"

*** Undefined mode command rendered invalid by UMCINV option bit. Command's bit in Illegalization Table is "don't care".

HI-6130, HI-6131

Circumstances for Received Message	Terminal Response to Received Command	Bits Updated in Descriptor Control Word	Bits Updated in Data Buffer Msg Info Word	Interrupt Options
OVERRIDE SELECTED TRANSMITTER SHUTDOWN (MC21): Mode code command with mode code 10101 and T/\bar{R} bit equals 1	Default response: Reset Message Error (ME) status. and transmit Status Word. If broadcast, set the BCR status bit and suppress Status response.	DBAC bit reset. BCAST bit reset. DPB bit toggles.	Normal CS update: BUSID bit updated. MERR bit reset. ILCMD bit reset. RTRT bit reset. (All error bits reset.)	IWA
<p>After Status Word transmission, the device stores the received data word in the assigned index or ping-pong buffer (or in Descriptor Word 4 if SMCP Simplified Mode Command Processing applies).</p> <p>If the AUTOBSD bit in the RT Configuration Register equals 0, the received data word is compared to the value in the Bus Select Register corresponding to the inactive bus. For example, if the command is received on Bus A, the comparison uses the Bus B Select Register value. If the compared values match, the device automatically re-enables transmit and receive for the inactive bus, regardless of the state of the BSDTXO bit in the Master Configuration Register. The device affirms fully re-enabled bus status by resetting all four TXASD, TXBSD, RXASD and/or RXBSD bits in the RT Built-In Test Register at register address 0x001E for RT1, address 0x0027 for RT2. Note: <i>If the TXINHA or TXINHB input pins are asserted, the device cannot override the resulting hardware transmit inhibit for the affected bus. In this case, the corresponding TXASD and/or TXBSD bits remain high. See RT Built-In Test Register description for further information.</i></p> <p>If the AUTOBSD bit in the Master Configuration Register equals 1, the IWA interrupt is typically used to alert the host when an MC21 command is received. The host must evaluate whether the received mode data word matches the bus selection criteria. If bus selection match occurs, the host fulfills the “override shutdown” command using one of two options:</p> <ol style="list-style-type: none"> 1. reset the RTINHA or RTINHB bus shutdown bit corresponding to the inactive bus in the applicable RT Configuration Register to re-enable both transmit and receive, if the host used this bit to shut down transmit and receive for an earlier MC4 or MC20 command. Note: <i>Resetting the RTINHA or RTINHB shutdown bit cannot restore bus transmit capability if the TXINHA or TXINHB input pin is asserted,</i> <p>OR</p> <ol style="list-style-type: none"> 2. reset the transmit shutdown input pin TXINHA or TXINHB for the inactive bus to re-enable transmit if the host used this pin to shut down transmit only for an earlier MC4 or MC20 command. 				
MC21 EXCEPTIONS:				
Invalid command word. OR T/\bar{R} bit equals 0 and UMCINV bit in the RT Configuration Register equals 1 ***	No terminal response, the message is ignored. No Status Word change. (mode code is undefined when T/\bar{R} bit equals 0)	No Change	No Message Info Word is written	None

HI-6130, HI-6131

Circumstances for Received Message	Terminal Response to Received Command	Bits Updated in Descriptor Control Word	Bits Updated in Data Buffer Msg Info Word	Interrupt Options
T/ \bar{R} bit equals 0 AND UMCINV bit in the RT Configuration Register equals 0. The Illegalization Table bit equals 0 *	Respond "In form": Reset Message Error (ME) status. If not broadcast, transmit Status Word. If broadcast, set the BCR status bit and suppress status response.	DBAC bit set. BCAST bit updated. DPB bit toggles.	Normal CS update: BUSID bit updated. MERR bit reset. ILCMD bit reset. RTRT bit reset. (Other error bits reset.)	IWA IBR
T/ \bar{R} bit equals 0 AND UMCINV bit in the RT Configuration Register equals 0. The Illegalization Table bit equals 1 **	Set Message Error (ME) status. If not broadcast, transmit Status Word. If broadcast, also set Status Word BCR bit and suppress Status response.	DBAC bit set. BCAST bit updated. DPB bit toggles.	ILCMD bit set. MERR bit set. BUSID bit updated. RTRT bit reset. (Other error bits reset.)	ILCMD IWA IBR
Mode code command word not followed by a contiguous data word (missing data word)	No Status Word transmit. Set the Message Error (ME) status bit. If broadcast, set the BCR status bit.	DBAC bit set. BCAST bit updated. DPB bit toggles.	MERR bit set. WCTERR bit set. BUSID bit updated. ILCMD bit reset. RTRT bit reset. (Other error bits reset.)	MERR IWA IBR
Mode code command word followed by data word with Manchester encoding or parity error (bad data word)	No Status Word transmit. Set the Message Error (ME) status bit. If broadcast, set the BCR status bit.	DBAC bit set. BCAST bit updated. DPB bit toggles.	MERR bit set. IWDERR bit set. BUSID bit updated. ILCMD bit reset. RTRT bit reset. (Other error bits reset.)	MERR IWA IBR

* Command is illegal but terminal is not using "illegal command detection" (in form response).

** Command is illegal and terminal is using "illegal command detection"

*** Undefined mode command rendered invalid by UMCINV option bit. Command's bit in Illegalization Table is "don't care".

HI-6130, HI-6131

Circumstances for Received Message	Terminal Response to Received Command	Bits Updated in Descriptor Control Word	Bits Updated in Data Buffer Msg Info Word	Interrupt Options
<p>RESERVED MODE CODES MC22 - MC31: Mode code commands having mode codes 10110 through 11111</p> <p>The mode code's bit in Illegalization Table equals 1 ** (RT is using "illegal command detection")</p> <p>OR</p> <p>The mode code's bit in Illegalization Table equals 0 * (RT not using "illegal command detection," respond "in form")</p>	<p>The reserved mode code commands do not have defined actions. Host must initialize device to respond using either of the two following methods:</p> <p>Mode code is illegalized. Set Message Error (ME) status and transmit Status Word. If T/\bar{R} bit equals 1, suppress data word transmission.</p> <p>OR</p> <p>If T/\bar{R} bit equals 1, Reset Message Error (ME) status. Transmit Status Word with contiguous data word read from assigned index or ping-pong buffer (or from Descriptor Word 4 if the SMCP option applies.)</p> <p>If T/\bar{R} bit equals 0, Reset Message Error (ME) status and transmit Status. If broadcast, also set BCR status and suppress Status transmit. Device stores received data word in assigned index or ping-pong buffer (or in Descriptor Word 4 if SMCP Simplified Mode Command Processing applies).</p>	<p>DBAC bit set. BCAST bit reset. DPB bit toggles.</p> <p>DBAC bit set. BCAST bit reset. DPB bit toggles.</p> <p>DBAC bit reset. BCAST bit updated. DPB bit toggles.</p>	<p>ILCMD bit set. MERR bit set. BUSID bit updated. RTRT bit reset. (Other error bits reset.)</p> <p>Normal CS update: BUSID bit updated. MERR bit reset. ILCMD bit reset. RTRT bit reset. (All error bits reset.)</p> <p>Normal CS update: BUSID bit updated. MERR bit reset. ILCMD bit reset. RTRT bit reset (All error bits reset.)</p>	<p>ILCMD IWA</p> <p>IWA</p> <p>IWA IBR</p>
<p>MC22 - MC31 EXCEPTIONS:</p>				
<p>Invalid command word.</p>	<p>No terminal response, the message is ignored. No Status Word change.</p>	<p>No Change</p>	<p>No Message Info Word is written</p>	<p>None</p>
<p>T/\bar{R} bit equals 0 and mode code command word is not followed by a contiguous data word (missing data word)</p>	<p>No Status Word transmit. Set the Message Error (ME) status bit. If broadcast, set the BCR status bit.</p>	<p>DBAC bit set. BCAST bit updated. DPB bit toggles.</p>	<p>MERR bit set. WCTERR bit set. BUSID bit updated. ILCMD, RTRT bits reset. (Other error bits reset.)</p>	<p>MERR IWA IBR</p>

HI-6130, HI-6131

Circumstances for Received Message	Terminal Response to Received Command	Bits Updated in Descriptor Control Word	Bits Updated in Data Buffer Msg Info Word	Interrupt Options
T/ \bar{R} bit equals 0 and command word is followed by data word with Manchester or parity error (bad data word)	No Status Word transmit. Set the Message Error (ME) status bit. If broadcast, set the BCR status bit.	DBAC bit set. BCAST bit updated. DPB bit toggles.	MERR bit set. IWDERR bit set. BUSID bit updated. ILCMD, RTRT bits reset. (Other error bits reset.)	MERR IWA IBR
T/ \bar{R} bit equals 1 and mode code command word is followed by a contiguous data word	No Status Word transmit. Set the Message Error (ME) status bit.	DBAC bit set. BCAST bit reset. DPB bit toggles.	MERR, WCTERR bits set. BUSID bit updated. ILCMD, RTRT bits reset. (Other error bits reset.)	MERR IWA
T/ \bar{R} bit equals 1 and mode code command is addressed to RT31	No Status Word transmit. Set the Message Error (ME) and BCR status bits.	DBAC bit set. BCAST bit set. DPB bit toggles.	MERR bit set. BUSID bit updated. ILCMD, RTRT bits reset. (Other error bits reset.)	MERR IWA IBR

* Command is illegal but terminal is not using "illegal command detection" (in form response).

** Command is illegal and terminal is using "illegal command detection"

27. ELECTRICAL CHARACTERISTICS

27.1. Absolute Maximum Ratings

Supply voltage (V_{DD})	-0.3 V to +5.0 V
Logic input voltage range	-0.3 V to +3.6 V
Voltage at BUSA/B or $\overline{\text{BUSA/B}}$ pins	± 7 V
Receiver differential voltage	10 Vp-p
Solder Temperature (reflow)	260°C
Junction Temperature	175°C
Storage Temperature	-65°C to +150°C

27.2. Recommended Operating Conditions

Operating Supply voltage (V_{DD})	3.3 VDC \pm 5%
Operating (Ambient) Temperature Range	
Industrial	-40°C to +85°C
Extended	-55°C to +125°C

NOTE: Stresses above absolute maximum ratings or outside recommended operating conditions may cause permanent damage to the device. These are stress ratings only. Operation at the limits is not recommended.

27.3. DC Electrical Characteristics

$V_{DD} = 3.3\text{V}$, $\text{GND} = 0\text{V}$, $T_A =$ Operating Temperature Range (unless otherwise stated)

Parameters	Symbol	Test Conditions	Limits			Unit
			Min	Typ	Max	
Operating Voltage	V_{DD}		3.15	3.3	3.45	V
Power Supply Current See Note 1 on next page	I_{CC1}	Not Transmitting	-	40	50	mA
	I_{CC2}	Continuous supply current while one bus transmits @ 100% duty cycle, 78 Ω resistive load	-	720	760	mA
Power Dissipation See Note 2 on next page	PD_1	Not Transmitting	-	132	172	mW
	PD_2	Transmit one bus @ 100% duty cycle, 78 Ω resistive load	-	0.85	1.04	W
Input Voltage (High)	V_{IH}	Digital Inputs	70%	-	-	V_{DD}
Input Voltage (Low)	V_{IL}	Digital Inputs	-	-	30%	V_{DD}
Input Current (High): inputs with pull-down.	I_{IH}	Digital Inputs (each digital input pulled high)	-	-	100	μA

HI-6130, HI-6131

Parameters	Symbol	Test Conditions	Limits			Unit	
			Min	Typ	Max		
Input Current (High): inputs with pull-up.	I_{IH}	Digital Inputs (each digital input pulled high)	+1	-	-	μA	
Input Current (Low) inputs with pull-up.	I_{IL}	Digital Inputs (each digital input pulled low)	-	-	-100	μA	
Input Current (Low) inputs with pull-down.	I_{IL}	Digital Inputs (each digital input pulled low)	-1	-	-	μA	
Output Voltage (High)	V_{OH}	$I_{OUT} = -1.0mA$, Digital outputs	90%	-	-	V_{DD}	
Output Voltage (Low)	V_{OL}	$I_{OUT} = 1.0mA$, Digital outputs	-	-	10%	V_{DD}	
RECEIVER (Measured at Point "AD" in Figure 36 unless otherwise specified)							
Input Resistance	R_{IN}	Differential	20	-	-	$k\Omega$	
Input Capacitance	C_{IN}	Differential	-	-	5	pF	
Common Mode Rejection Ratio	CMRR		40	-	-	dB	
Input Level	V_{IN}	Differential	-	-	9	V_{p-p}	
Input Common Mode Voltage	V_{ICM}		-5	-	+5	V_{pk}	
Threshold Voltage (Direct-Coupled)	Detect	V_{THD}	1 MHz Sine Wave (Measured at Point "AD" in Figure 36)	1.15	-	20.0	V_{p-p}
	No Detect	V_{THND}		-	-	0.28	V_{p-p}
Threshold Voltage (Transformer-Coupled)	Detect	V_{THD}	1 MHz Sine Wave (Measured at Point "AT" in Figure 37)	0.86	-	14.0	V_{p-p}
	No Detect	V_{THND}		-	-	0.2	V_{p-p}
TRANSMITTER (Measured at Point "AD" in Figure 36 unless otherwise specified)							
Output Voltage	Direct Coupled	V_{OUT}	35 Ω Load	6.6	-	9.0	V_{p-p}
	Transformer Coupled	V_{OUT}	70 Ω Load (Measured at Point "AT" in Figure 37)	20.0	-	27.0	V_{p-p}
Output Noise		V_{ON}	Differential, inhibited	-	-	10.0	mV_{p-p}
Output Dynamic Offset Voltage	Direct Coupled	V_{DYN}	35 Ω Load	-90	-	90	mV
	Transformer Coupled	V_{DYN}	70 Ω Load (Measured at Point "AT" in Figure 37)	-250	-	250	mV
Output Resistance		R_{OUT}	Differential, not transmitting	10	-	-	$k\Omega$
Output Capacitance		C_{OUT}	1 MHz sine wave	-	-	15	pF

Note 1: In actual use, the highest practical transmit duty cycle is 96%, occurring when a Remote Terminal responds to a series of 32 data word transmit commands (RT to BC) repeating with minimum intermessage gap of 4 μs (2 μs dead time) and typical RT response delay of 5 μs .

Note 2: While one bus continuously transmits, the power delivered by the 3.3V power supply is 3.3V \times 720mA typical = 2.4W. Of this, 850mW is dissipated in the device, the remainder in the load.

27.4. AC Electrical Characteristics — HI-6131 Host Bus Interface Timing

$V_{DD} = 3.3V$, $GND = 0V$, $T_A =$ Operating Temperature Range (unless otherwise stated)

Parameters	Symbol	Limits			Units
		Min	Typ	Max	
HI-6131 INTERFACE TIMING (SPI Host Bus Interface)					
SCK clock Period	t_{CYC}	50	-	-	ns
\overline{CE} set-up time to first SCK rising edge	t_{CES}	25	-	-	ns
\overline{CE} hold time after last SCK rising edge	t_{CEH}	25	-	-	ns
\overline{CE} inactive between SPI instructions	t_{CPH}	100	-	-	ns
SPI SI Data set-up time to SCK rising edge	t_{DS}	10	-	-	ns
SPI SI Data hold time after SCK rising edge	t_{DH}	10	-	-	ns
SO valid after SCK falling edge	t_{DV}	0	-	20	ns
SO high-impedance after \overline{CE} inactive	t_{CHZ}	-	-	75	ns

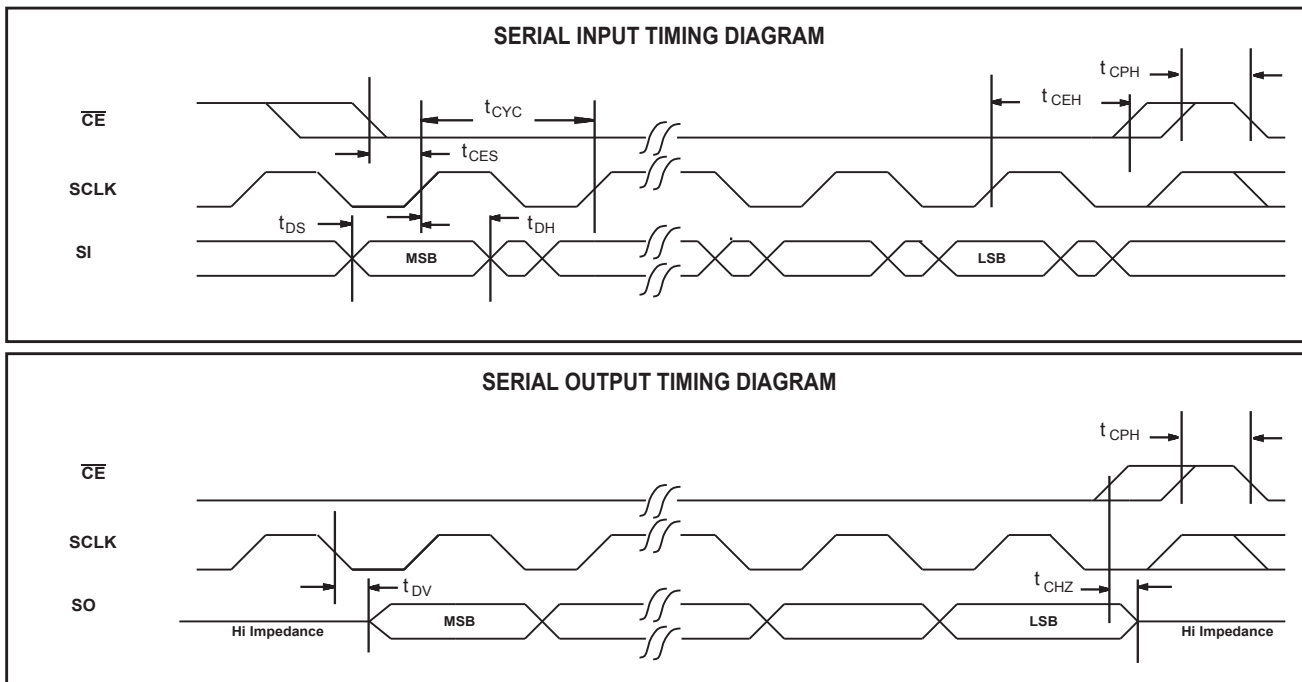


Figure 29. HI-6131 Host Bus Interface Timing Diagram

HI-6130, HI-6131

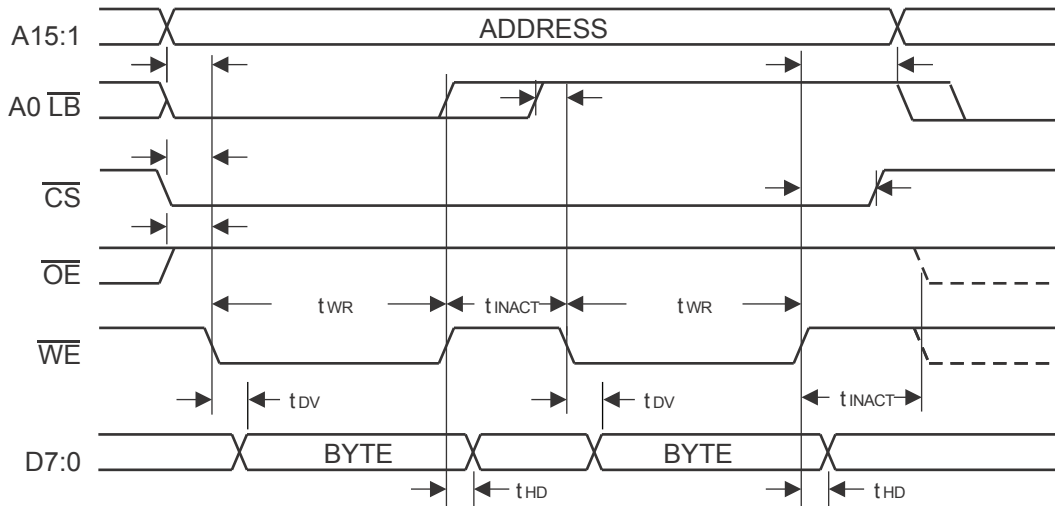
27.5. AC Electrical Characteristics — HI-6130 Host Bus Interface Timing

Parameters	Symbol	Limits			Units
		Min	Typ	Max	
WRITE TIMING					
Write strobe	t_{WR}	55	-	-	ns
Write inactive time	t_{INACT}	25	-	-	ns
Write data available	t_{DV}	-	-	20	ns
Write cycle, $t_{WR} + t_{INACT}$	-	80	-	-	ns
READ TIMING					
Wait assertion time	t_{WAS}	-	-	20	ns
Wait time	t_W	-	-	110	ns
Read strobe, sequential address, 8-bit bus mode	t_{SR8}	55	-	-	ns
Read strobe, sequential address, 16-bit bus mode	t_{SR16}	55	-	-	ns
Read strobe, non-sequential address	t_{NSR}	130	-	-	ns
Read inactive time	t_{INACT}	25	-	-	ns
Read access time1	t_{RA1}	-	-	130	ns
Read access time2	t_{RA2}	-	-	55	ns
<i>Read cycles in 8-bit bus mode (see note below)</i>					
Read cycle, sequential address, 16-bit word, 8-bit bus mode, $t_{SR8} + t_{INACT} + t_{SR8} + t_{INACT}$	-	160	-	-	ns
Read cycle, non-sequential address, 8-bit bus mode, $t_{WAS} + t_W + t_{INACT} + t_{SR8}$	-	-	-	210	ns
<i>Read cycles in 16-bit bus mode (see note below)</i>					
Read cycle, sequential address, 16-bit bus mode, $t_{SR16} + t_{INACT}$	-	80	-	-	ns
Read cycle, non-sequential address, 16-bit bus mode, $t_{WAS} + t_W$	-	-	-	130	ns

NOTE: When reading a series of sequential addresses, the read cycle for the first word (or byte) location is always longer because the HI-6130 asserts the WAIT output. As long as sequential addresses are then read, automatic prefetch speeds up read access for following words (or bytes) since these occur without WAIT assertion.

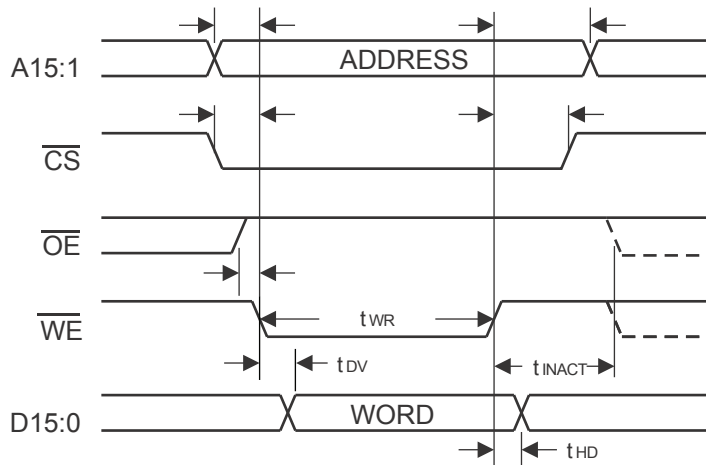
HI-6130, HI-6131

HOST WRITE IN DUAL-BYTE MODE (8-BIT BUS WIDTH)
 using BTYPE = 1 ("Intel Style" - \overline{OE} Output Enable and \overline{WE} Write Enable)
 showing 2 bytes written for a single 16-bit word



All timing intervals equal 0 ns MIN unless otherwise indicated.
 The WAIT output is inactive during write access

HOST WRITE IN WORD MODE (16-BIT BUS WIDTH)
 using BTYPE = 1 ("Intel Style" - \overline{OE} Output Enable and \overline{WE} Write Enable)
 showing a one-word write cycle. Successive writes to sequential addresses have same timing.

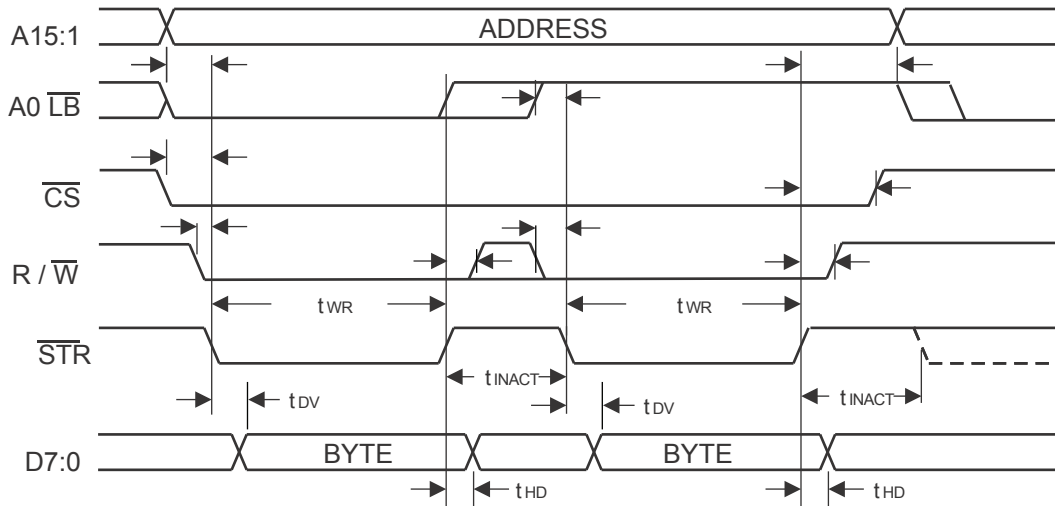


All timing intervals equal 0 ns MIN unless otherwise indicated.
 The WAIT output is inactive during write access

Figure 30. Register and RAM Write Operations for BTYPE = 1

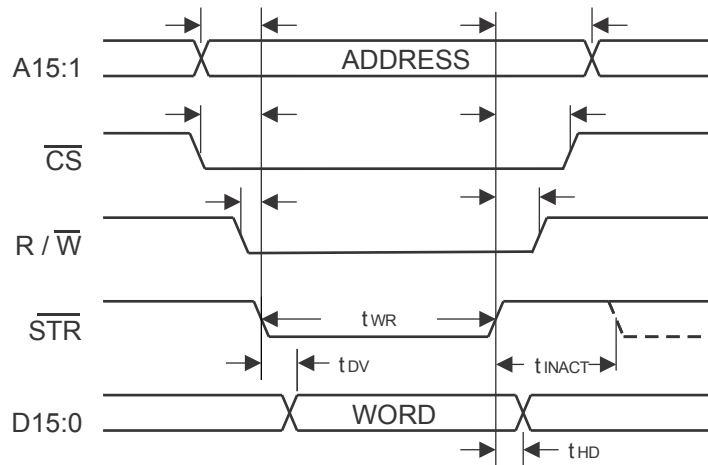
HI-6130, HI-6131

HOST WRITE IN DUAL-BYTE MODE (8-BIT BUS WIDTH)
 using BTYPE = 0 ("Motorola Style" - Single Read/Write Strobe $\overline{\text{STR}}$ and $\text{R}/\overline{\text{W}}$ Direction Select)
 showing 2 bytes written for a single 16-bit word



All timing intervals equal 0 ns MIN unless otherwise indicated.
 The WAIT output is inactive during write access

HOST WRITE IN WORD MODE (16-BIT BUS WIDTH)
 using BTYPE = 0 ("Motorola Style" - Single Read/Write Strobe $\overline{\text{STR}}$ and $\text{R}/\overline{\text{W}}$ Direction Select)
 showing a one-word write cycle. Successive writes to sequential addresses have same timing.

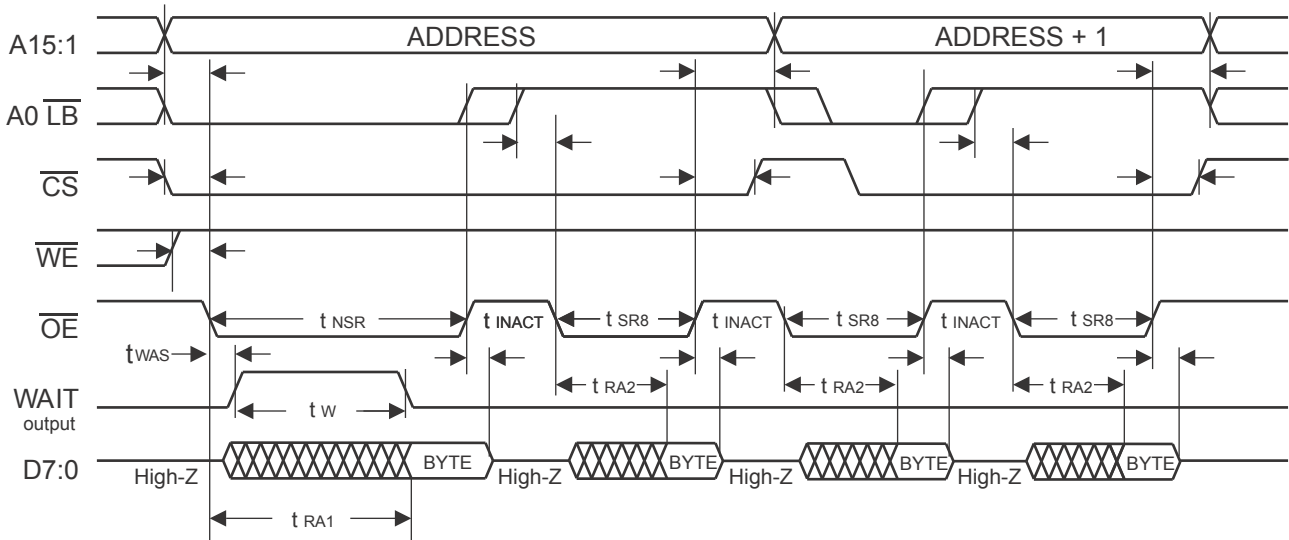


All timing intervals equal 0 ns MIN unless otherwise indicated.
 The WAIT output is inactive during write access

Figure 31. Register and RAM Write Operations for BTYPE = 0

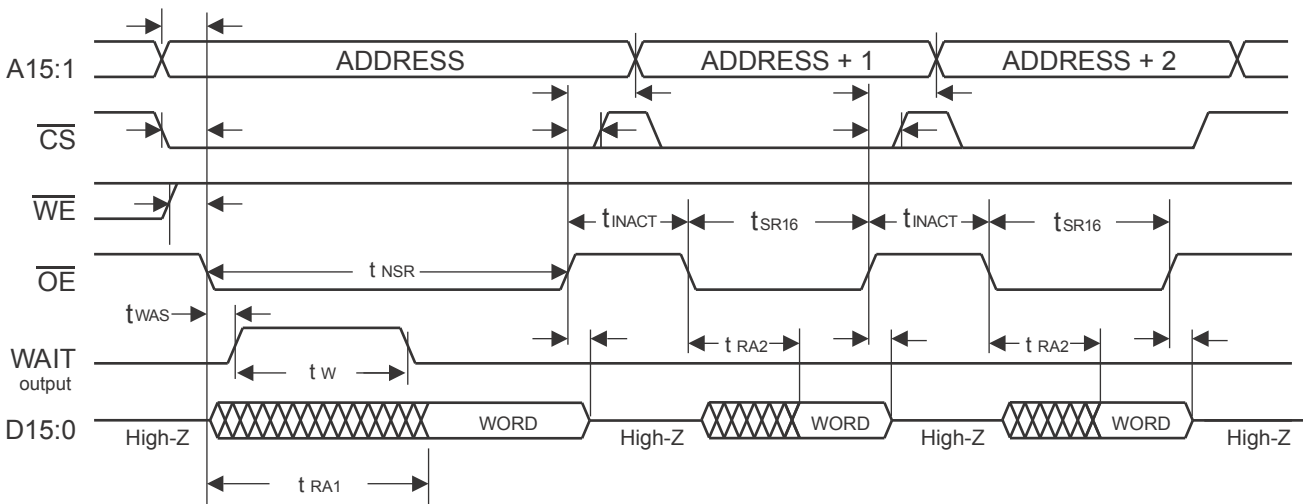
HI-6130, HI-6131

HOST READ IN DUAL-BYTE MODE (8-BIT BUS WIDTH)
 using BTYPE = 1 ("Intel Style" - \overline{OE} Output Enable and \overline{WE} Write Enable)
 showing two successive 16-bit words (4 bytes) read from sequential addresses



All timing intervals equal 0 ns MIN unless otherwise indicated.

HOST READ IN WORD MODE (16-BIT BUS WIDTH)
 using BTYPE = 1 ("Intel Style" - \overline{OE} Output Enable and \overline{WE} Write Enable)
 showing a three word read access from sequential addresses



All timing intervals equal 0 ns MIN unless otherwise indicated.

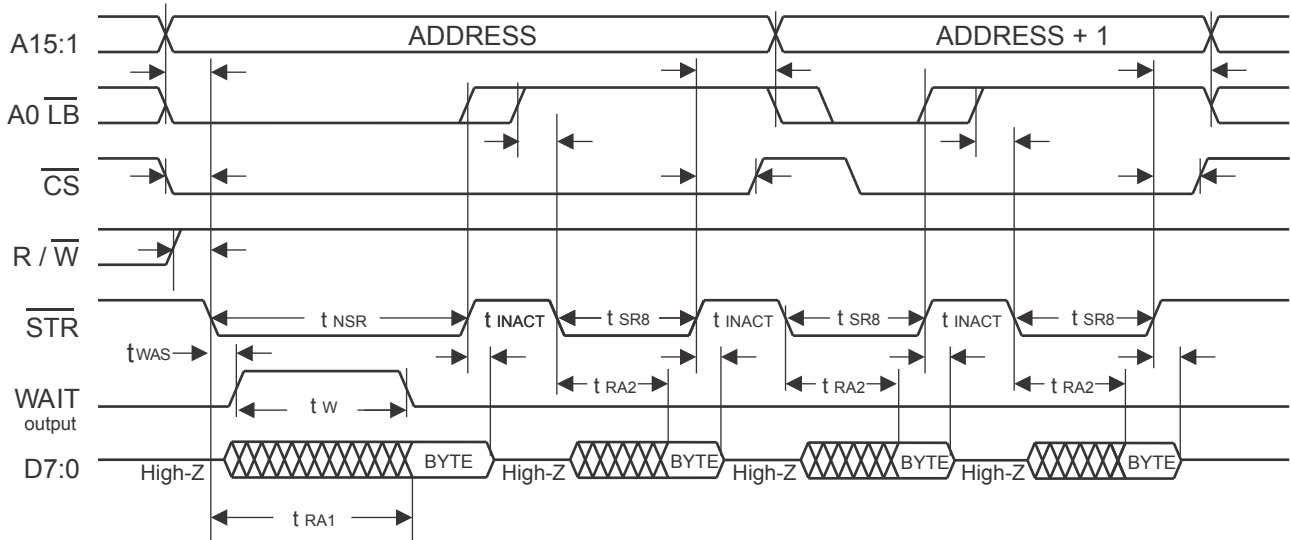
After first byte or word is read, prefetch allows faster access times for successive reads, as long as read addresses are sequential.

Figure 32. Register and RAM Read Operations for BTYPE = 1

HI-6130, HI-6131

HOST READ IN DUAL-BYTE MODE (8-BIT BUS WIDTH)

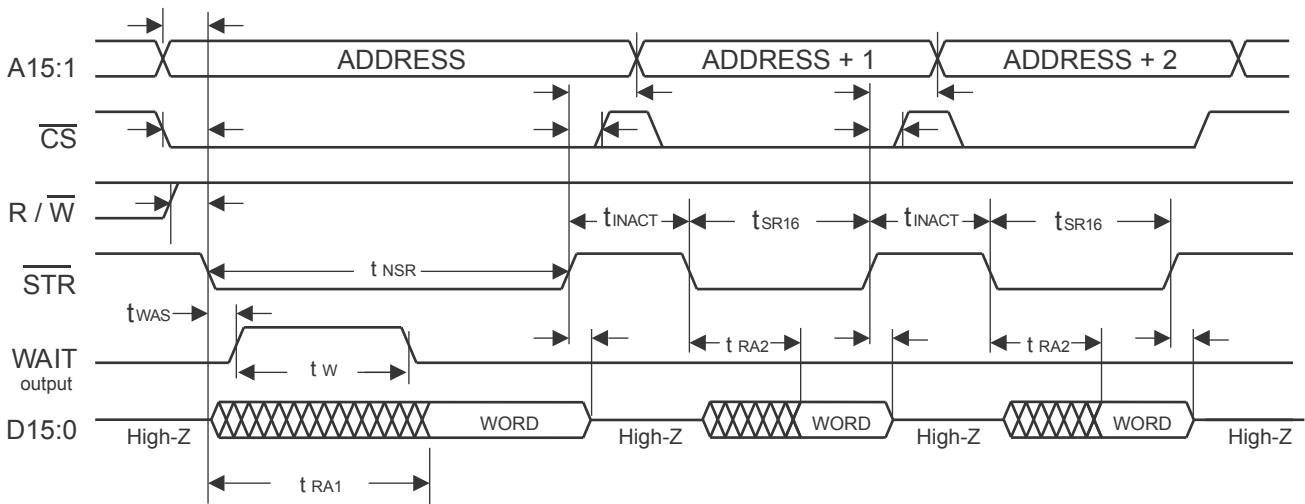
using BTYPE = 0 ("Motorola Style" - Single Read/Write Strobe $\overline{\text{STR}}$ and $\overline{\text{R/W}}$ Direction Select)
showing two successive 16-bit words (4 bytes) read from sequential addresses



All timing intervals equal 0 ns MIN unless otherwise indicated.

HOST READ IN WORD MODE (16-BIT BUS WIDTH)

using BTYPE = 0 ("Motorola Style" - Single Read/Write Strobe $\overline{\text{STR}}$ and $\overline{\text{R/W}}$ Direction Select)
showing a three word read access from sequential addresses



All timing intervals equal 0 ns MIN unless otherwise indicated.

After first byte or word is read, prefetch allows faster access times for successive reads, as long as read addresses are sequential.

Figure 33. Register and RAM Read Operations for BTYPE = 0

27.6. AC Electrical Characteristics — Master Reset

$V_{DD} = 3.3V$, $GND = 0V$, $T_A =$ Operating Temperature Range (unless otherwise stated)

Parameters	Symbol	Limits			Units
		Min	Typ	Max	
MASTER RESET \overline{MR}					
Note: Two rising clock edges are required following the rising edge of \overline{MR} to complete reset.	PW_{MR}	50			ns

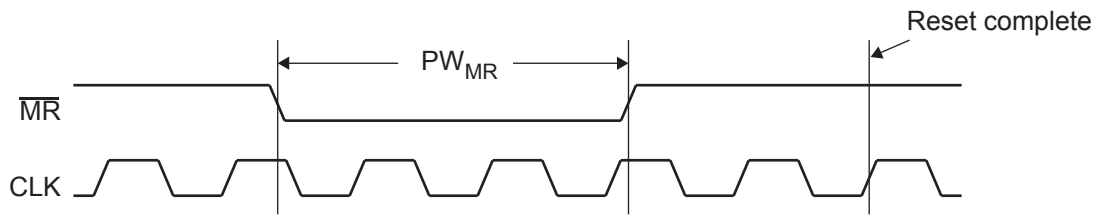


Figure 34. Master Reset Timing Diagram

28. MIL-STD-1553 BUS INTERFACE

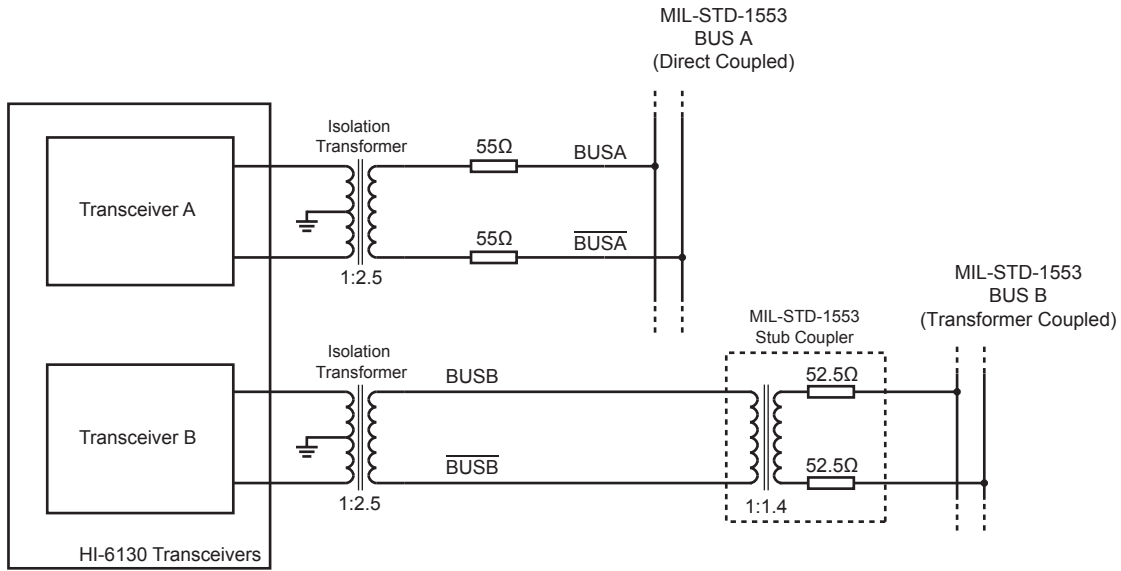


Figure 35. Bus Connection Example using HI-6130

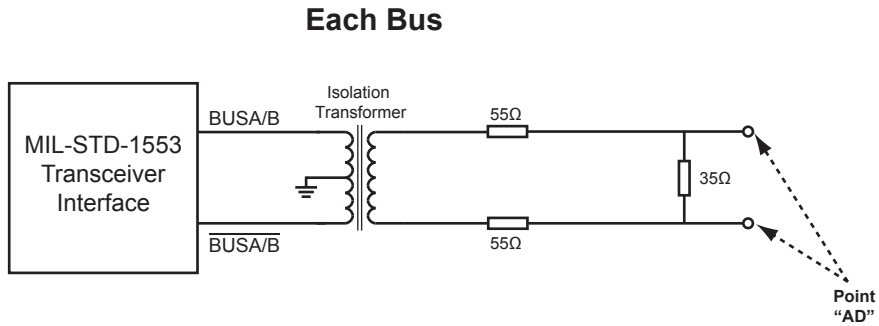


Figure 36. MIL-STD-1553 Direct Coupled Test Circuit Example

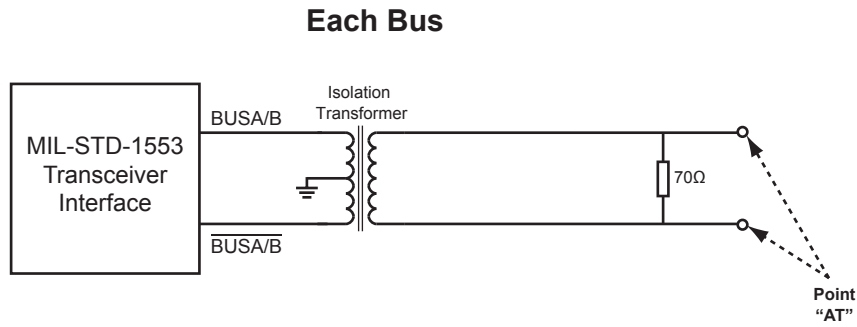


Figure 37. MIL-STD-1553 Transformer Coupled Test Circuit Example

29. THERMAL CHARACTERISTICS

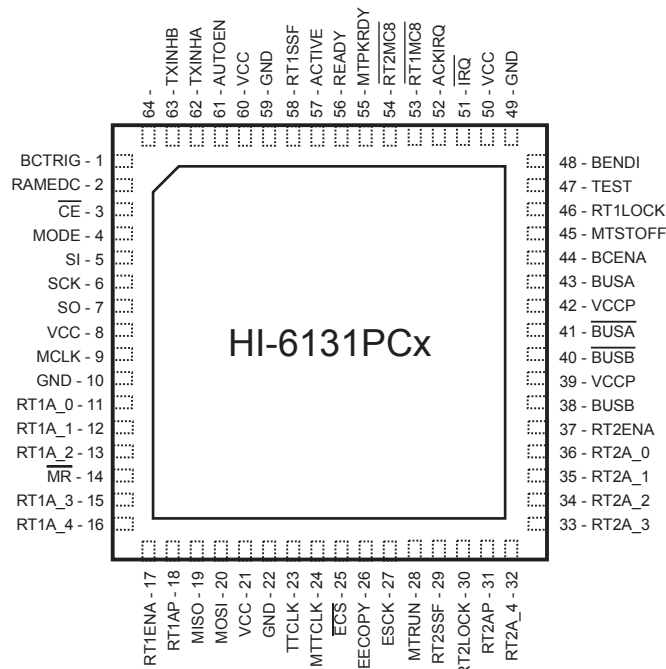
Part Number	Package Style	Condition	θ_{ja} (°C/W)	Junction Temp, T_j (°C)		
				$T_A = 25^\circ\text{C}$	$T_A = 85^\circ\text{C}$	$T_A = 125^\circ\text{C}$
HI-6130PQx	100-pin PQFP	Mounted on circuit board	52.7	56	116	156
HI-6131PQx	64-pin PQFP	Mounted on circuit board	47.75	53	113	153
HI-6131PCx	64-pin QFN	Heat sink pad unsoldered	31.1	41	101	141
		Heat sink pad soldered	22.8	37	97	137

30. ADDITIONAL PIN / PACKAGE CONFIGURATIONS

Notes:

- All VCC, VCCP and GND pins must be connected.
- See page 1 for HI-6130, 100-Pin PQFP Package Configuration.

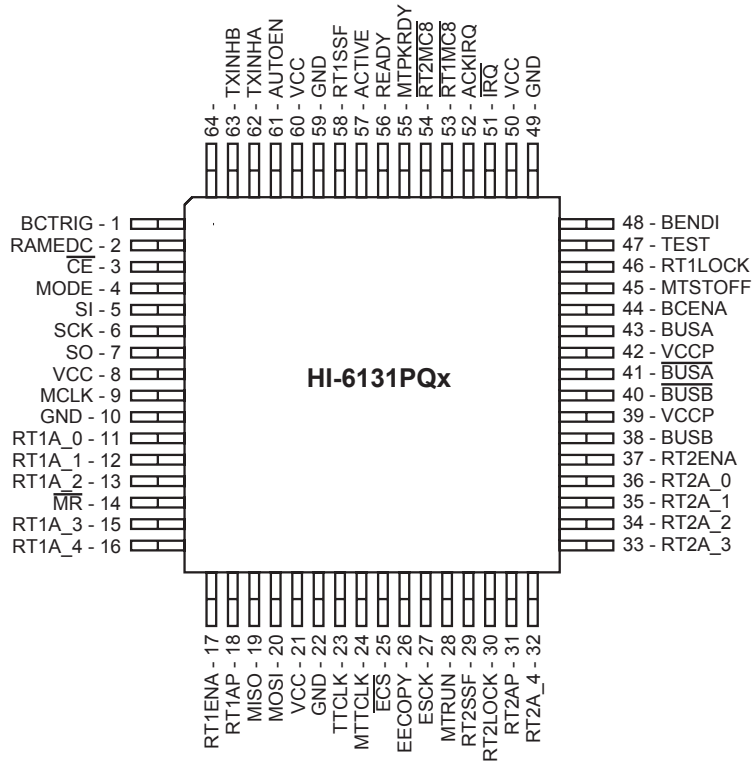
30.1. HI-6131PCx (64-pin QFN)



TOP VIEW

HI-6130, HI-6131

30.2. HI-6131PQx (64-pin PQFP)



HI-6130, HI-6131

30.3. HI-6132Cxx (121BGA or 121PGA)

Top View

	11	10	9	8	7	6	5	4	3	2	1	
L	RAM EDC	DATA 14	DATA 11	DATA 9	DATA 4	RT1 SSF	MTPKT RDY	RT1 MC8	nIRQ	B TYPE	BENDI	L
K	nCE	DATA 12	DATA 10	AUTO EN	DATA 6	VDD	ACTIVE	ACK IRQ	DATA 2	WPOL	DNC	K
J	MODE	BC TRIG	DATA 13	TX INHA	DATA 7	DATA 5	READY	TEST	DATA 0	DATA 1	DNC	J
H	MISO	DATA 15	MOSI	TX INHB	DATA 8	DATA 3	RT2 MC8	MTST OFF	RT1 LOCK	GND	DNC	H
G	nWAIT	SCLK	nRE	VDD	GND	VDD	GND	VDD	BC ENA	BUS A	NC	G
F	nWE	BUS nSPI	MCLK	GND	VDD	GND	VDD	GND	VDD	nBUS B	nBUS A	F
E	RT1 A2	RT1 A0	RT1 A1	VDD	GND	VDD	GND	VDD	RT2 ENA	BUS B	DNC	E
D	nMR	RT1 A3	RT1 A4	ADDR 8	nECS	ADDR 10	RT2 LOCK	RT2 A0	RT2 A1	GND	DNC	D
C	ADDR 0	RT1 ENA	ADDR 2	E MOSI	GND	EE COPY	MT RUN	RT2 A2	RT2 A3	ADDR 14	DNC	C
B	ADDR 1	ADDR 3	ADDR 4	ADDR 6	TT CLK	VDD	ESCK	RT2 SSF	ADDR 13	ADDR 15	DNC	B
A	ADDR 5	RT1 AP	E MISO	ADDR 7	MTT CLK	ADDR 9	ADDR 11	RT2 AP	RT2 A4	ADDR 12	BWID	A
	11	10	9	8	7	6	5	4	3	2	1	

Notes:

- DNC: Do Not Connect.
- NC: Not Connected.
- All connections denoted VDD **must** be connected to 3.3V DC power.
- All 10 connections denoted GND **must** be connected to circuit ground.
- BUS/nSPI (F10) selects 16-bit wide parallel bus or SPI operation (see Section “6.5. Selection of Host Interface (HI-6132 only)” on page 27).
- nCE: The chip enable signal is shared between 16-bit parallel and SPI host interfaces (SPI Slave Select).
- BUSB (ball E2) and nBUSB (ball F2) cannot be routed out on Layer 1 and require signal vias to another layer for external connection. BUSA (ball G2) may be shorted to NC (ball G1, not connected internally) for routing on Layer 1, similar to nBUSA.

HI-6130, HI-6131

31. ORDERING INFORMATION

HI - 6130 **PQ x F**

PART NUMBER	LEAD FINISH
F	100% Matte Tin (Pb-free, RoHS compliant)

PART NUMBER	TEMPERATURE RANGE	FLOW	BURN IN
I	-40°C to +85°C	I	No
T	-55°C to +125°C	T	No
M	-55°C to +125°C	M	Yes

PART NUMBER	PACKAGE DESCRIPTION
PQ	100 PIN PLASTIC QUAD FLAT PACK, PQFP (100PQS)

HI - 6131 **Px x x**

PART NUMBER	LEAD FINISH
Blank	Tin / Lead (Sn / Pb) Solder or NiPdAu
F	100% Matte Tin or NiPdAu (Pb-free, RoHS compliant)

PART NUMBER	TEMPERATURE RANGE	FLOW	BURN IN
I	-40°C to +85°C	I	No
T	-55°C to +125°C	T	No
M	-55°C to +125°C	M	Yes

PART NUMBER	PACKAGE DESCRIPTION
PC	64 PIN PLASTIC CHIP-SCALE PACKAGE, 9 x 9mm QFN (64PCS)
PQ	64 PIN PLASTIC QUAD FLAT PACK, PQFP (64PQTS)

HI-6130, HI-6131

HI - 6132 C x T E

PART NUMBER	LEAD FINISH
F	Pb-free, RoHS compliant

PART NUMBER	TEMPERATURE RANGE	FLOW	BURN IN
T	-55°C to +125°C	T	No

PART NUMBER	PACKAGE DESCRIPTION
CP	121 PIN GRID ARRAY - PGA (121PGA)
CB	121 BALL GRID ARRAY - BGA (121BGA), non-collapsing polymer-core Sn96.5 / Ag3.5 solder balls.

32. REVISION HISTORY

Revision	Date	Description of Change
DS6130, Rev. New.	8/10/11	Initial Release
Rev. A.	9/19/11	<p>Corrected numerous typographical errors. Updated cross references.</p> <p>Corrected IMT Message Filter Tables 11 and 12. Corrected Monitor Address List for IMT Mode, Table 13.</p> <p>Correct numerous RAM address errors.</p> <p>Added section on Hardware Reset and Initialization</p>
Rev. B.	3/14/12	<p>Clarified text descriptions in Sections "Monitor Terminal (MT) Address List" and "Monitor Terminal (MT) Data Buffers" (previously called "Monitor Terminal (MT) Stack Address Table" and "Monitor Terminal (MT) Command and Data Stacks" respectively.</p> <p>Replaced Section 9.3 with new Sections "9.3. Overview of Interrupts" and "9.4. Hardware Interrupt Behavior".</p> <p>Updated Section "9.5. Interrupt Count & Log Address Register (0x000A)".</p> <p>Added Section 9.6 "Interrupt Log Buffer" on page 41. Corrected and moved Figure 15 to Section 9.6 (now Figure 3). Deleted previous Section 19.4 "Interrupt Log Buffer".</p> <p>Updated Section "11.15. Bus Controller Interrupt Registers and Their Use".</p> <p>Updated Section "13.14. SMT Bus Monitor Interrupt Registers and Their Use".</p> <p>Updated Section "16.19. IMT Bus Monitor Interrupt Registers and Their Use".</p> <p>Updated Section "18.14. RT1 and RT2 Remote Terminal Interrupt Registers and Their Use".</p> <p>Corrected errors in description of bits 7, 6, and 5 in Section "18.1. Remote Terminal 1 (RT1) Configuration Register (0x0017) Remote Terminal 2 (RT2) Configuration Register (0x0020)". Added register diagram.</p> <p>Replaced the word "stack(s)" with "buffer(s)" throughout the document.</p> <p>Clarified text descriptions in Sections "Standard Mode Command Processing" and "Simplified Mode Command Processing".</p> <p>Corrected reference to MTENA input pin throughout the document. Should be called MTRUN input pin.</p> <p>Corrected typographical errors.</p> <p>Added hermetically sealed ceramic package option, HI-6132.</p> <p>Updated cross references and Table of Contents.</p>
Rev. C.	3/25/12	Updated table in Section "27.5. AC Electrical Characteristics — HI-6130 Host Bus Interface Timing".
Rev. D.	5/22/12	<p>Remove BGA package option. Add LGA and PGA options.</p> <p>Insert values for "tbd" in Thermal Characteristics table.</p> <p>In Section "11.6. Bus Controller (BC) Condition Code Register (Read 0x0037)" on page 90, BADMSG was incorrectly labelled bit 13 instead of 12.</p> <p>In Section "18.1. Remote Terminal 1 (RT1) Configuration Register (0x0017) Remote Terminal 2 (RT2) Configuration Register (0x0020)" on page 150, corrected text descriptions for bits ALTBITW and AUTOBSD.</p> <p>Clarified certain descriptions in Appendix, Section 26.</p> <p>Update PQFP-64 and QFN-64 package dimensions.</p>

HI-6130, HI-6131

Revision	Date	Description of Change
Rev. E.	11/9/12	<p>Corrected ordering information for HI-6132 variant.</p> <p>Added new Section, “23.2. Memory Test Fail Address Register (0x0024)”.</p> <p>Added new Section, “24. Self-Test”.</p> <p>Added Self-Test Registers and Memory Test Fail Address Register to “Table 6. Register Summary”.</p> <p>Made numerous clarifications and typo corrections throughout datasheet.</p> <p>Corrected typos on HI-6132Cxx pin-out (pins D7, B3, A2).</p> <p>Updated ordering information table for HI-6132Cxx.</p>
Rev. F.	12/5/12	<p>Corrected pinout of HI-6132Cxx package variants (121BGA, 121LGA and 121PGA).</p> <p>Corrected other minor typographical errors.</p>
Rev. G.	09/19/13	<p>Remove LGA package option. Correct various typographical errors.</p>
Rev. H.	05/14/14	<p>Correct RT2TTA1 and RT2TTA0 bit typos in “Time Tag Counter Configuration Register (0x0039)” on page 52.</p> <p>Correct typo in “Table 16. Monitor Address List for IMT Mode” on page 133.</p> <p>Remove erroneous Note to “Dynamic Bus Control” in Section “21.1. General Considerations” on page 219.</p> <p>Add additional register “Extended Configuration Register (0x004D)” on page 48 to describe newly added features. Update other sections referenced and impacted by this new register.</p> <p>Added section for MIL-STD-1760 use: “MIL-STD-1760: Busy Status Assertion After Power-Up” on page 236.</p> <p>Update 100PQS, 64PCS and 64PQTS package drawings.</p> <p>Corrected other minor typos.</p>
Rev. J.	06/6/14	<p>Add clarification of use of BCAST flag in Message Information Word for Circular Buffer Mode broadcast data.</p> <p>Added additional clarification for use of DPB pointer in Ping-Pong Data Buffer Mode.</p>
Rev. K	10/29/14	<p>Insert minor descriptive clarifications, pp. 85 and 233.</p> <p>Clarify that writes to BC General Purpose Flag Register 0x0037 have no effect unless BC is running (“Bus Controller (BC) General Purpose Flag Register (Write 0x0037)” on page 93).</p>
Rev. L	12/15/14	<p>Remove leaded BGA option for HI-6132 (HI-6132CBx).</p> <p>Update Solder Temperature (reflow) to 260°C.</p> <p>Update Transmitter Output Voltage in “DC Electrical Characteristics” on page 284 to comply with MIL-STD-1760 specification.</p> <p>Correct typo in “Time Tag Counter Configuration Register (0x0039)” on page 52. Internally Generated Clock with bits MTTCK[3:0] = 1xxx corrected from 100µs to 100ns.</p>
Rev. M	06/05/15	<p>Corrected numerous typographical errors and cross references.</p> <p>Corrected error in HI-6132 part numbering in “Ordering Information”. Eliminated “I” Temp. Range offering for HI-6132.</p>

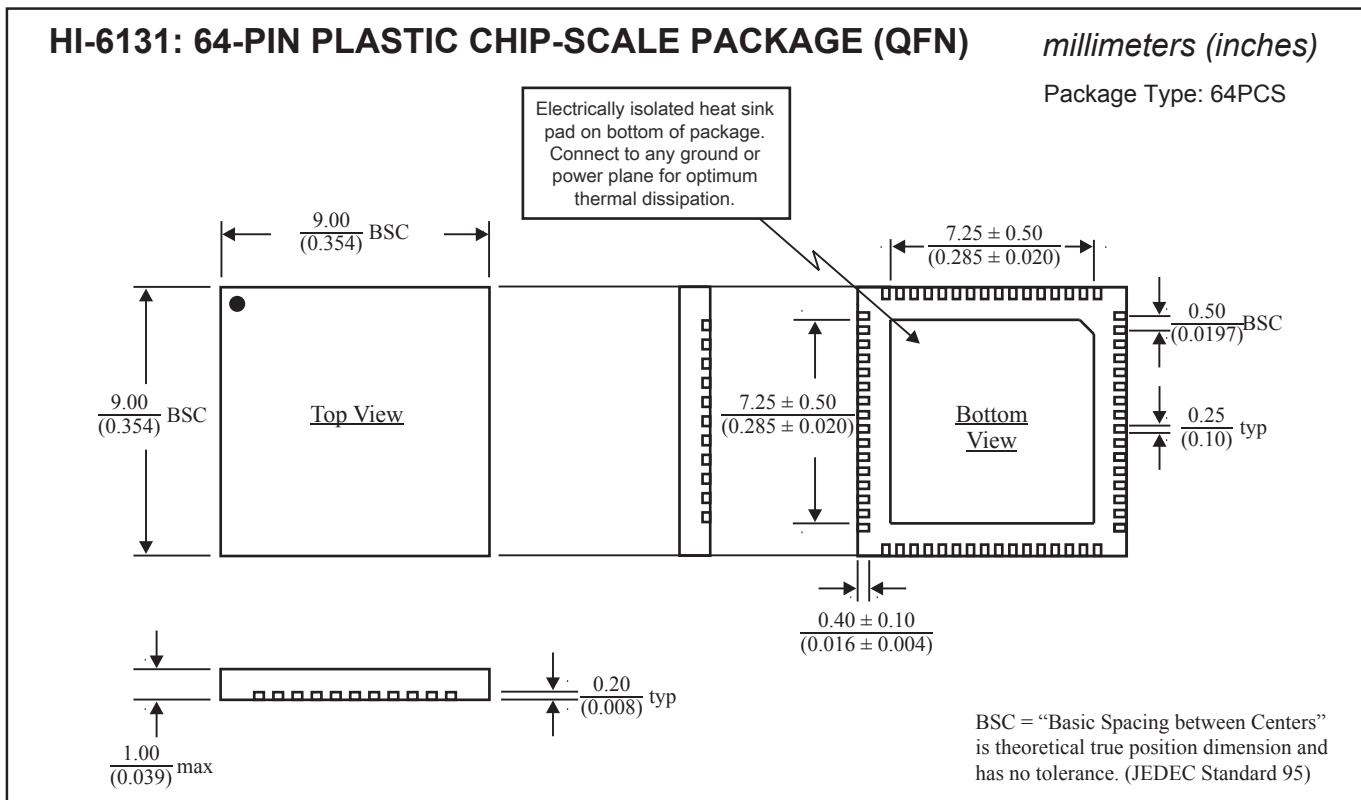
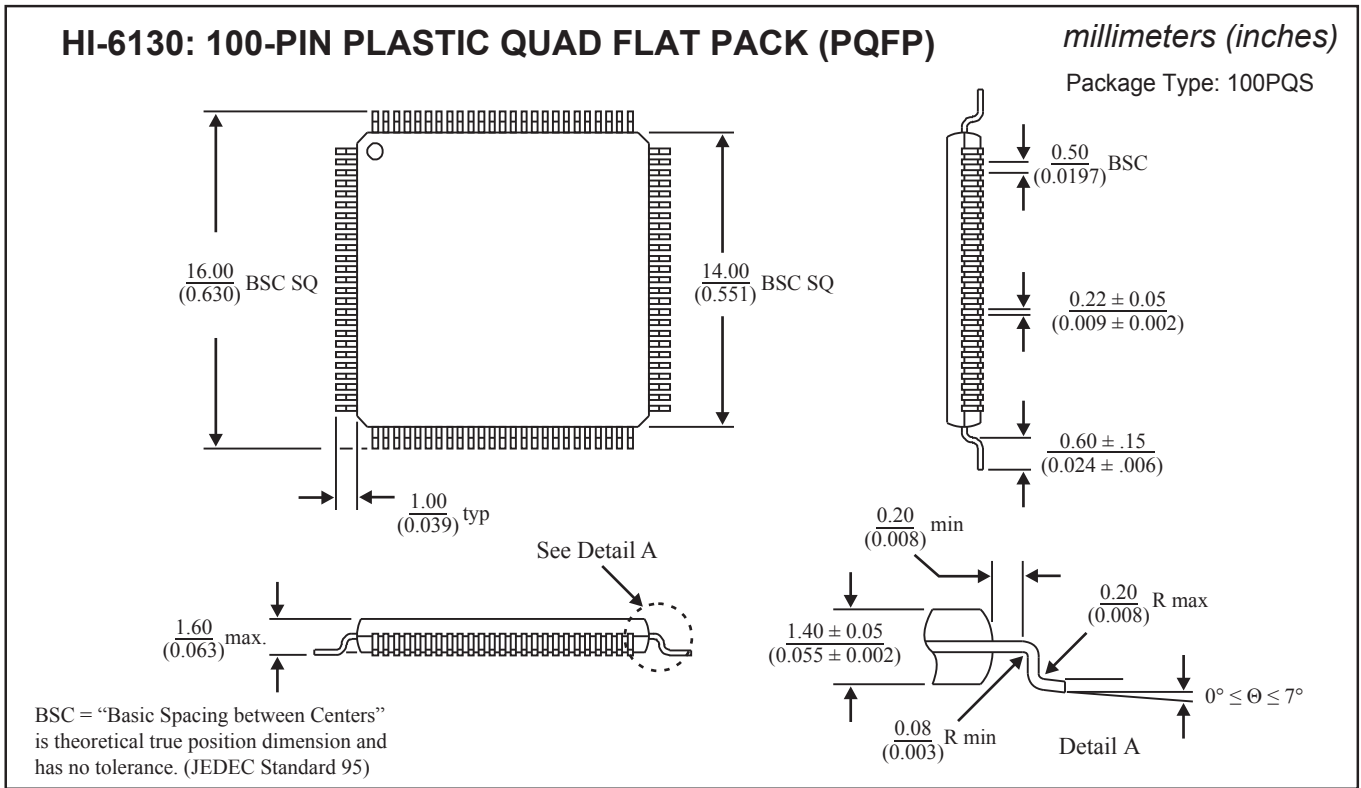
HI-6130, HI-6131

Revision	Date	Description of Change
Rev. N	11/05/15	<p>Functional polarity of AUTOBSD bit in RT Configuration Registers is reversed. Correct throughout datasheet.</p> <p>Correct typo in RT Descriptor Base Addresses.</p> <p>Correct SPI operation modes for EEPROM programming.</p> <p>Indicate t_{CYC} on Serial Input Timing Diagram. Correct Serial Output Timing Diagram for t_{CHZ} parameter. Remove t_{SCKH} and t_{SCKL} parameters.</p>
Rev. O	03/01/16	Corrected various typographical errors. Bus/SPI pin function for HI-6132 in Table 5 was changed from 50kΩ pull-up to 50kΩ pull-down.
Rev. P	05/17/16	<p>Corrected BENDI pin functionality; must be high when HI-6130 is configured for 16-bit wide bus operation.</p> <p>Clarify pin-out on “HI-6132Cxx (121BGA or 121PGA)”. Update Note f.</p>
Rev. Q	06/14/16	Corrected BENDI pin functionality; BENDI pin sets byte transfer order (“endianness”) regardless of whether the device is configured for 8-bit wide or 16-bit wide bus operation (using BWID pin).
Rev. R	09/06/16	<p>Clarify definition of Word 5 (Message Length Word) in “Table 12. Message Block in Circular Command Buffer for SMT Monitor using 48-bit Time Tag”.</p> <p>Clarified Rev. O change to Bus/SPI pin function in this Revision Table above.</p>
Rev. S	10/19/16	Correct Interrupt Address Word description in “9.6. Interrupt Log Buffer” on page 41. Correct Descriptor Table Control Word address derivation in Figure 17.
Rev. T	02/08/17	Correct typo in “Table 12. Message Block in Circular Command Buffer for SMT Monitor using 48-bit Time Tag”. 16-bit in table header should be 48-bit.
Rev. U	04/05/17	Clarify operation when the enabled mode changes. Make corrections to Self-Test operation.
Rev. V	05/23/17	Update Power Dissipation and Power Supply Current parameters.
Rev. W	08/31/17	Clarify sequence of writing “Master Configuration Register (0x0000)” during configuration, (specifically RT1STEX, RT2STEX and BCSTRT bits), to ensure proper terminal configuration and start.
Rev. X	11/17/17	<p>Correct typo in “BC (Bus Controller) Configuration Register (0x0032)”, bit 4. Reference to EOF interrupt bit should be BCWDT interrupt bit.</p> <p>Clarify operation of BENDI, A0 and BWID pins; see “Table 3. HI-6130 BENDI Pin Functionality” and section “25. Host Interface” on page 245.</p>
Rev. Y	06/01/18	<p>Clarify format of Interrupt Information Word (IIW) and Interrupt Address Word (IAW) in “Interrupt Log Buffer”. See Table 7.</p> <p>Correct typos in “Hardware Interrupt Registers” description of bits 14 and 13.</p> <p>Bit 5 in “Extended Configuration Register (0x004D)” should be “Reserved”.</p> <p>Update functionality of BCTTA[1:0] bits in “Time Tag Counter Configuration Register (0x0039)”.</p> <p>Bit 15 in “Memory Address Pointer Registers (HI-6131 only)” is Read-Only.</p> <p>Clarify function of AUTOBSD, bit 4 in RT Configuration Registers 0x0017 and 0x0020.</p> <p>Bit 1, MC16OPT, in RT Configuration Registers 0x0017 and 0x0020 is erroneously called MCOPT1. Change throughout document.</p> <p>Update “AC Electrical Characteristics — HI-6130 Host Bus Interface Timing” parameter table and 8-bit bus width read examples to reflect two 16-bit word reads.</p> <p>Fix minor typographical errors throughout the document.</p>

HI-6130, HI-6131

Revision	Date	Description of Change
Rev. Z	10/12/18	Minor clarifications and typo corrections. Update HI-6131 package lead finishes.
Rev. Z1	12/02/18	<p>Update timing diagrams in Figure 30, Figure 31, Figure 32 and Figure 33. Waveforms shown incorrectly. Timing values in AC Electrical Characteristics did not change.</p> <p>Add additional parameters t_{DV}, T_{RA1} and T_{RA2} to “AC Electrical Characteristics — HI-6130 Host Bus Interface Timing”.</p> <p>Update BC Timeout Selection parameters in “BC (Bus Controller) Configuration Register (0x0032)”, bits [15:14].</p> <p>Add RT-RT bus dead time for MT Timeout Selection parameters in “SMT Configuration Register (0x0029)”, bits [15:14].</p> <p>Update Bus Dead Time and RT-RT Timeout values in RT1 and RT2 Configuration Registers, bits [15,14] (see Section 18.1 on page 150).</p>
Rev. Z2	08/07/19	<p>Correct errors in Hard Reset Default values in “Table 6. Register Summary”.</p> <p>Add new section “AC Electrical Characteristics — Master Reset” (minimum pulse width for MR).</p> <p>Bits [4,3] in “Hardware Interrupt Output Enable Register (0x0013)” are read-only.</p> <p>Clarify how to clear bits [12,11], LBFA and LBFB respectively in “Hardware Pending Interrupt Register (0x0006)”.</p> <p>Clarify RW status of bits in “Bus Controller (BC) General Purpose Queue Pointer Register (0x0038)”.</p> <p>Update “RT1 MIL-STD-1553 Status Word Bits Register (0x001A) / RT2 (0x0023)” to reflect correct function of MC16OPT bit (refers to resetting SVCREQ status bit and not SSYSF bit).</p> <p>List minimum instruction set that must be supported by external EEPROM in section “Serial EEPROM Programming Utility”.</p> <p>Update “Table 22. Registers not included in checksum” to reflect correct list of registers.</p> <p>Add note regarding loopback in section “24.2.6. Host-Directed RT-Mode Loopback Testing (On-Line Analog or Off-Line Digital)”.</p> <p>Specify maximum voltage at BUSA/B or $\overline{\text{BUSA/B}}$ pins in “Absolute Maximum Ratings”.</p> <p>Update 100-pin PQFP package drawing.</p> <p>Correct typos and add minor clarifications.</p>

33. PACKAGE DIMENSIONS

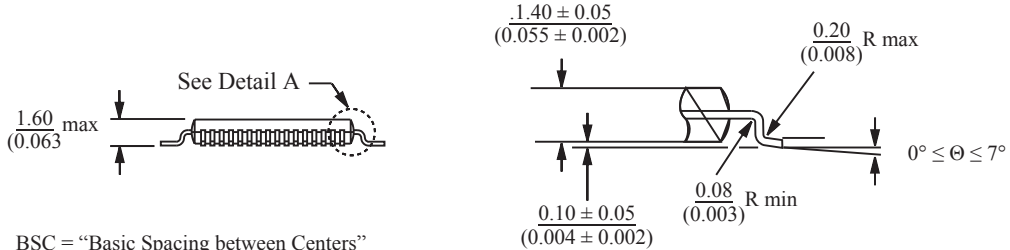
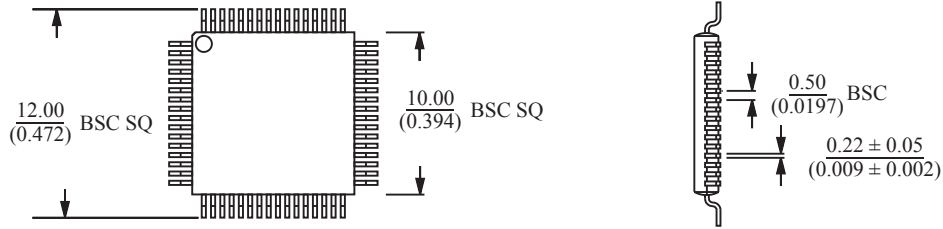


HI-6130, HI-6131

HI-6131: 64-PIN PLASTIC QUAD FLAT PACK (PQFP)

millimeters (inches)

Package Type: 64PQTS



BSC = "Basic Spacing between Centers" is theoretical true position dimension and has no tolerance. (JEDEC Standard 95)

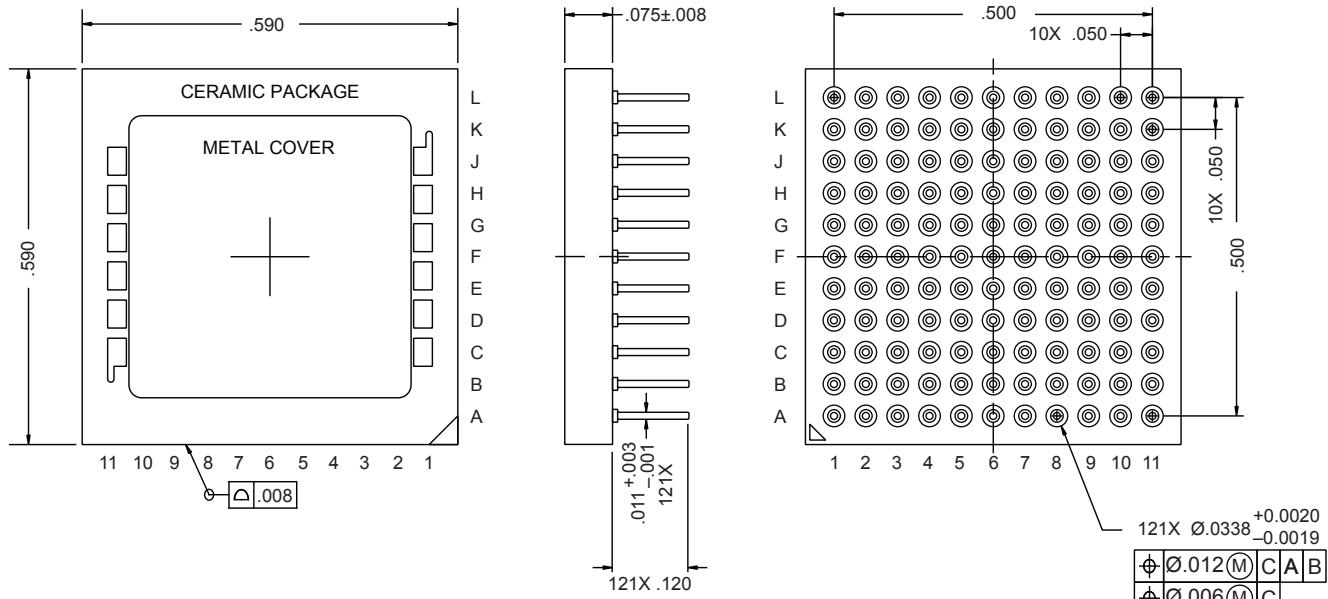
Detail A

HI-6132: Pin Grid Array

(121PGA)

Top View

Bottom View



Dimensions in inch

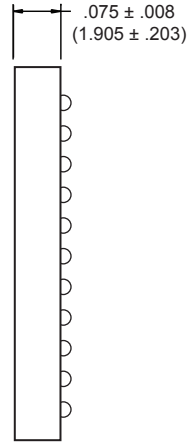
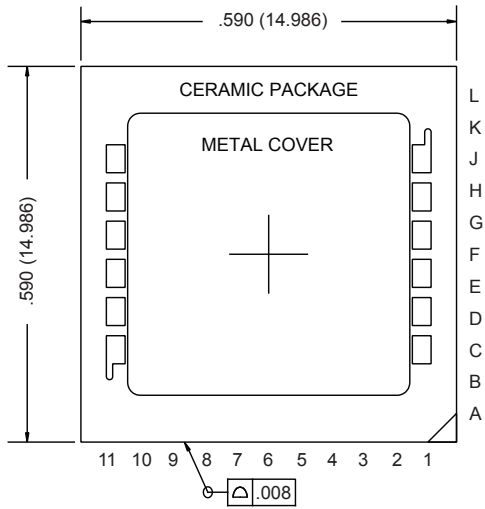
HI-6130, HI-6131

HI-6132: 121 Ball Grid Array (BGA)

inches (millimeters)

Package Type: 121BGA

Top View



Bottom View

